

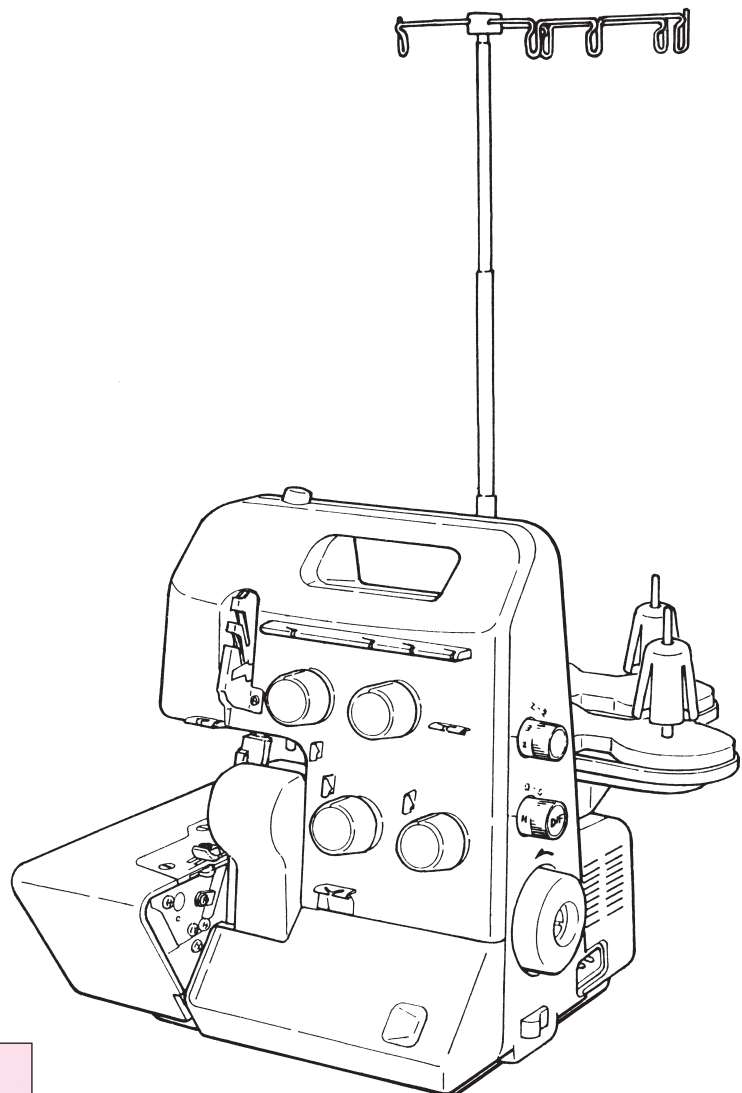
JUKI®

2-NEEDLE, 2/3/4/5-THREAD OVERLOCK SEWING MACHINE

MO-655N

INSTRUCTION MANUAL

EN



IMPORTANT:

Read all safety regulations carefully and understand them before using your sewing machine. Retain this instruction manual for future reference.

“IMPORTANT SAFETY INSTRUCTIONS”

When using an electrical appliance, basic safety precautions should always be followed, including the following: Read all instructions before using this sewing machine.

“DANGER ____ To reduce the risk of electric shock:”


1. The appliance should never be left unattended when plugged in.
2. Always unplug this appliance from the electric outlet immediately after using and before cleaning.

“WARNING ____ To reduce the risk of burns, fire, electric shock, or injury to persons:”

1. Do not use the appliance as a toy. Caution is advised when the appliance is used by children, or near children. This sewing machine can be used by children aged from 8 years and above and persons with reduced physical, sensory or mental capabilities or lack of experience and knowledge if they have been given supervision or instruction concerning use of the sewing machine in a safe way and understand the hazards involved. Children shall not play with the sewing machine. Cleaning and user maintenance shall not be made by children without supervision.
2. Use this appliance only for its intended use as described in this manual. Use only attachments recommended by the manufacturer as contained in this manual.
3. Never operate this appliance if it has a damaged cord or plug, if it is not working properly, if it has been dropped or damaged, or dropped into water. Return the appliance to the nearest authorized dealer or service center for examination, repair, electrical or mechanical adjustment.
4. Never operate the appliance with any air openings blocked. Keep ventilation openings of the sewing machine and foot control free from the accumulation of lint, dust, and loose cloth.
5. Keep fingers away from all moving parts. Special care is required around the sewing machine needle.
6. Always use the proper stitch plate. The wrong plate can cause the needle to break.
7. Do not use bent needles.
8. Do not pull or push fabric while stitching. It may deflect the needle causing it to break.
9. Do not carry out sewing with a marking pin stuck in the material since doing so can cause knife/needle breakage. In addition, do not attempt to cut anything other than fabric and thread with the upper/lower knives.
10. Switch the sewing machine off “O” when making any adjustments in the needle area, such as threading needle, changing needle, threading looper, or changing presser foot and the like.
11. Always unplug the machine from the electrical outlet when removing covers, when covers are opened to thread the loopers, when lubricating or when making any other user servicing adjustments mentioned in the instruction manual.
12. Never drop or insert any object into any opening.
13. Do not use outdoors.
14. Do not operate where aerosol (spray) products are being used or where oxygen is being administered.
15. To disconnect, turn all controls to the off “O” position, then remove plug from outlet.
16. Do not unplug by pulling on cord. To unplug, grasp the plug, not the cord.
17. Basically, the machine should be disconnected from the electricity supply when not in use.
18. If the supply cord is damaged, it must be replaced by the manufacturer, its service agent or similarly qualified persons in order to avoid a hazard.
19. (Except USA/Canada) This machine is provided with double insulation.
Use only identical replacement parts. See instructions for servicing Double-Insulated machine.

“SERVICING DOUBLE-INSULATED PRODUCTS (Except USA / Canada)”

In a double-insulated product, two systems of insulation are provided instead of grounding. No grounding means is provided on a double-insulated product nor should a means for grounding be added to the product. Servicing a double-insulated product requires extreme care and knowledge of the system and should only be done by qualified service personnel. Replacement parts for a double-insulated product must be identical to those parts in the product. A double-insulated product is marked with the words DOUBLE INSULATION or DOUBLE INSULATED.

The symbol  may also be marked on the product.

“SAVE THESE INSTRUCTIONS”

“This overlock sewing machine is intended for household use only.”

Congratulations on your purchase of a JUKI sewing machine.



Please be sure to read safety precautions in “To use the sewing machine safely” in the Instruction Manual before use to fully understand the functions and operating procedures of the sewing machine so as to use the sewing machine for a long time.

After you have read the Instruction Manual, please be sure to keep it together with the warranty so that you can read it whenever necessary.











To use the sewing machine safely

Marks and pictographs included in the Instruction Manual and shown on the sewing machine are used so as to ensure safe operation of the sewing machine and to prevent possible risk of injury to the user and other people.

Warning marks are used for different purposes as described below.

 WARNING	Indicates that there is a possible risk of death or serious injury if this mark is ignored and the sewing machine is used in a wrong manner.
 CAUTION	Indicates the operation, etc. which can cause a possible risk of personal injury and/or physical damage if this mark is ignored and the sewing machine is used in a wrong manner.

Pictographs mean the following:

	Danger warn- ing which is not specified		There is a risk of electrical shock		There is a risk of fire		There is a risk of injury to hands, etc.
	Prohibited mat- ter which is not specified		Disassembly/ alteration is prohibited		Do not place fingers under the needle		Do not pour oil, etc.
	Generally re- quired behavior		Disconnect the power plug				

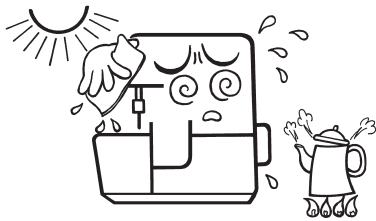
! WARNING

For the combination of the material and the thread and needle, in particular, refer to the explanation table in “Replacement of the needle”.

If the needle or thread does not match the material used such as in the case that an extra heavy-weight material (e.g., denim) is sewn with a thin needle (#11 or higher), the needle can break resulting in an unexpected personal injury.

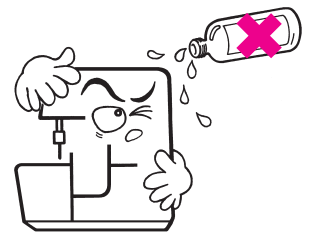
Other precautions

- Do not put the sewing machine under the direct sunlight or in a humid place.



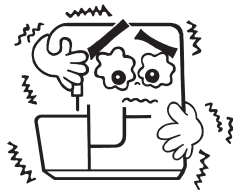
- Do not wipe the sewing machine with solvent such as thinner.

When the sewing machine is soiled, put a small quantity of neutral detergent on a piece of soft cloth and carefully wipe off the sewing machine with it.



Be aware that the following state can take place since the sewing machine incorporates semi-conductor electronic parts and precise electronic circuits.

- Be sure to use the sewing machine in the temperature range from 5°C to 40°C. If the temperature is excessively low, the machine can fail to operate normally.



* The operating temperature of the sewing machine is between 5°C and 40°C. Do not use the sewing machine under the direct sunlight, near the burning things such as a stove and candle, or in a humid place. By so doing, the temperature in the interior portion of the sewing machine can rise or the coating of the power cord can melt, causing fire or electrical shock.

LED light

- Rated Voltage: 9V
- Maximum power consumption: 1.3W

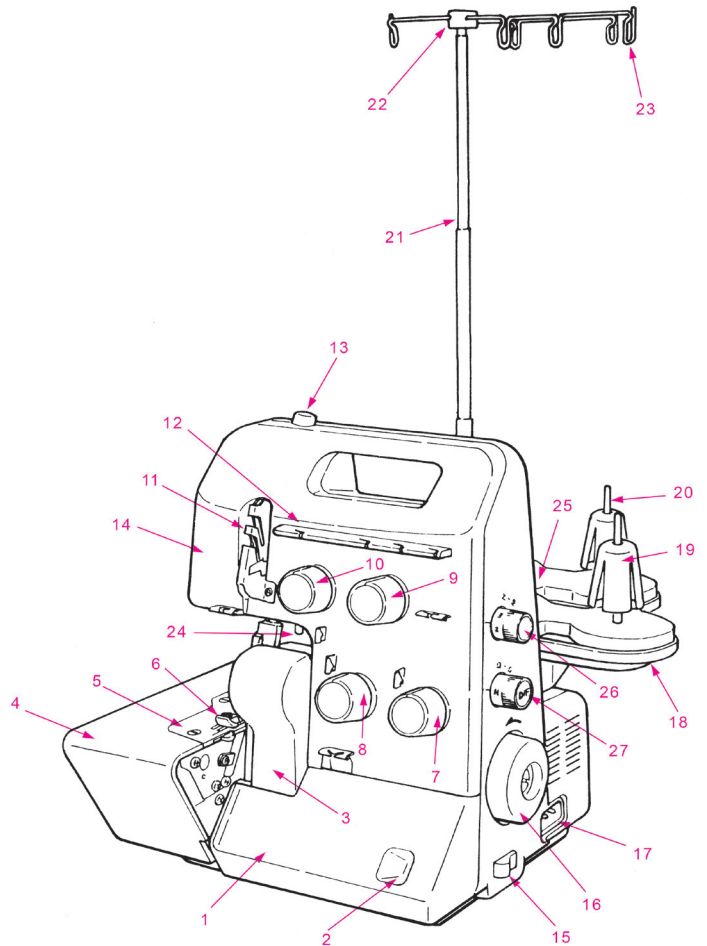
Contents

Safety instructions	1-3	Adjusting the thread tension	31-32
Contents	4	Sewing in tape	33
Details of the machine	5-6	Roll hemming	34
• Accessories	6	Differential feed	35
Assembling thread stand	7-8	Gathering	36
Preparing the machine	9	Unpicking seams	36
• Attaching the foot control	9	Thread breakage during sewing	37
• On/Off of the power/light switch	9	Securing seams	37
Operation and function		Maintenance	
• Handwheel (Pulley)	10	• Replacing the upper knife	38
• Opening and closing the looper cover	10	• Cleaning and lubrication	38
• Opening and closing the cloth plate	10	Troubles and corrective measures	39
• Presser foot lifter	11	Specifications	39
• Changing the presser foot	11	Optional Accessories	40
• Releasing the upper knife	12		
• Lower knife adjusting knob	13		
• Stitch length adjusting knob	13		
• Differential feed adjusting knob	14		
• Overlocking width selection knob	14		
• Presser foot pressure adjusting screw	15		
• Changing the needles	15		
Stitch chart	16		
Threading			
• Preparation	17		
Threading: 5-thread overlock (chainstitch & 3-thread overlock)	18-22		
Chainstitch & wide 3-thread overlock	23		
2-thread chainstitch	24		
Threading: 4-thread overlock	25-28		
3-thread overlocking	29		
• 4 mm wide 3-thread overlocking	29		
• 6 mm wide 3-thread overlocking	29		
How to use the 2/3 thread converter	30		
Trial sewing	31		
• After threading, make a trial sewing	31		

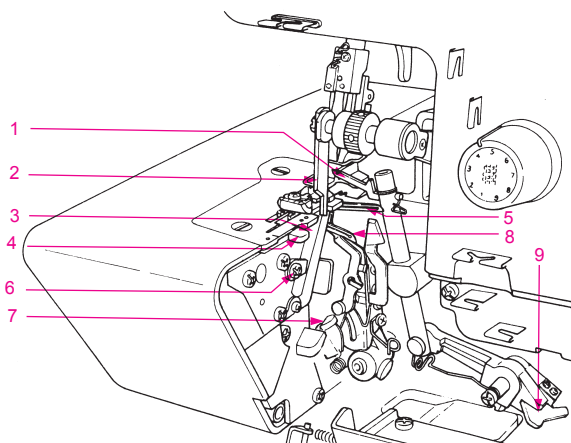
Details of the machine

Details of the machine

1. Looper cover
2. Looper cover opening handle
3. Chip guard cover
4. Cloth plate
5. Throat plate
6. Presser foot
7. Lower looper thread tension dial
8. Upper looper thread tension dial
9. Right-hand needle thread tension dial
10. Left-hand needle thread tension dial
11. Thread take-up cover
12. Thread guide plate
13. Presser foot adjusting screw
14. LED light
15. Power/light switch
16. Handwheel (pulley)
17. Machine socket
18. Spool holders
19. Anti-vibration cone
20. Spool pin
21. Retractable support rod
22. Thread guide
23. Open thread guide
24. Presser foot lifter
25. Anti-vibration pad
26. Stitch length adjusting knob
27. Differential feed adjusting knob



View with looper cover open



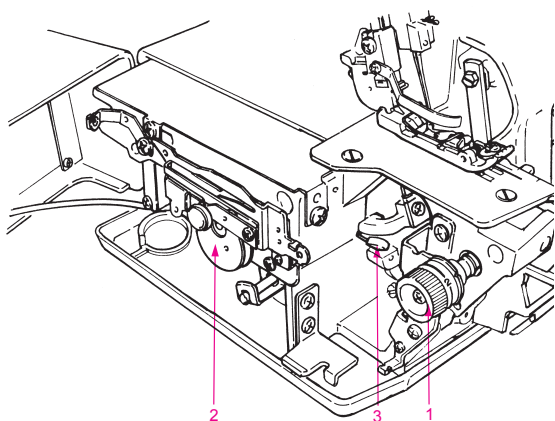
⚠ CAUTION :

Be sure to turn off the power switch before opening the looper cover.

1. Upper looper
2. Upper knife
3. Lower knife
4. Overlock width selection knob
5. Lower looper
6. Lower knife setscrew
7. Lower looper threader
8. Chainstitch looper
9. Upper looper release

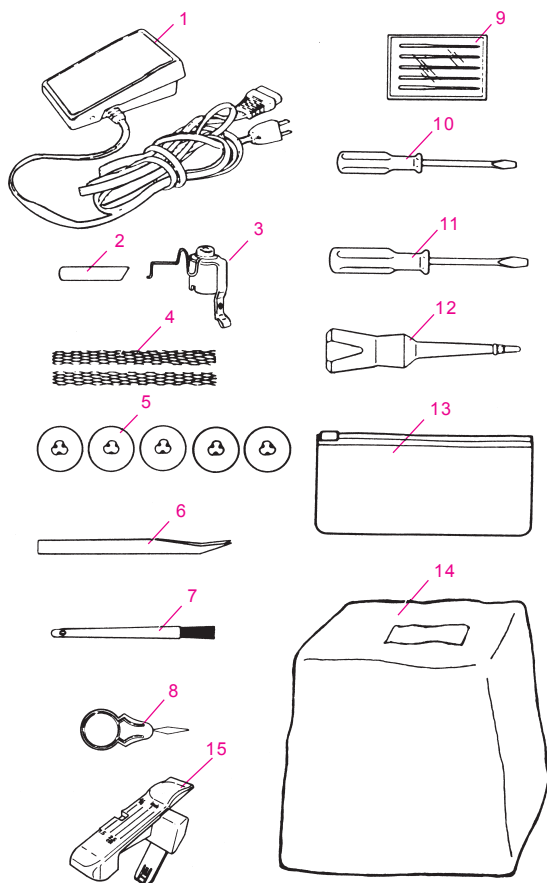
Details of the machine

View with cloth plate open



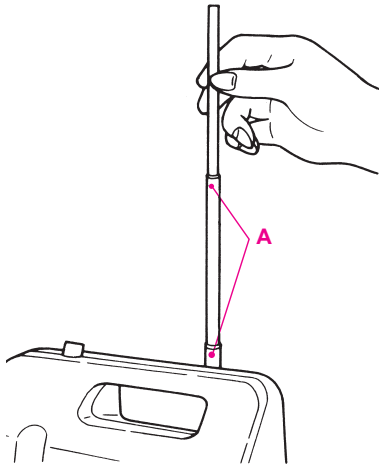
1. Lower knife adjusting knob
2. Stitch length adjusting knob
3. Chainstitch looper threader

Accessories



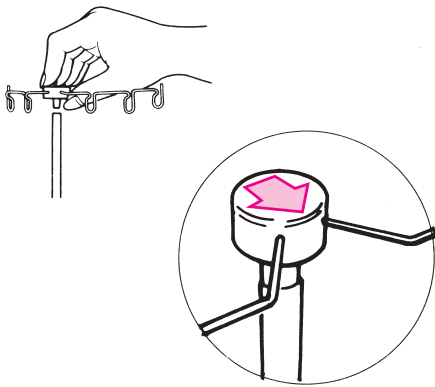
1. Foot control
2. Lower knife blade
3. 2/3 thread converter
4. Nets
5. Spool caps
6. Tweezers
7. Cleaning brush
8. Needle threader
9. Needles in the needle box
10. Small screwdriver
11. Large screwdriver
12. Oiler
13. Accessory bag
14. Dust cover
15. Chainstitch seam guide plate

Assembling thread stand



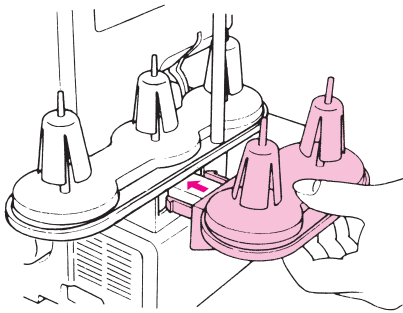
Raise the support rod fully

Turn the thread stand until it engages the positioning stopper (A) with a click.



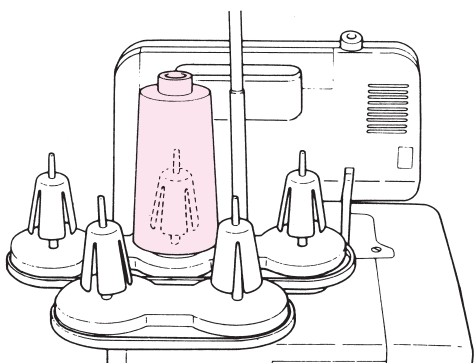
Put the thread guide on the support rod.

Insert the thread guide into the tip of the support rod so that the arrow in the thread guide points toward you.



Attaching the spool holders

Attach the separately packed spool holder (equipped with two spool holders pins) to the fixed spool holder, by pushing until it snaps in place.

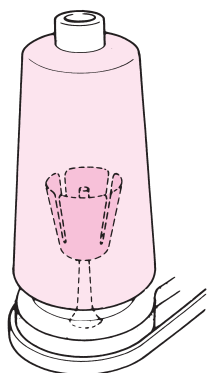


For small house-use spools

Assembling thread stand

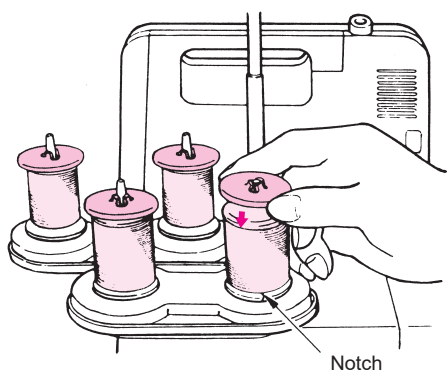
For large spools

For spools of large inside diameter, position the anti-vibration cone upside down.

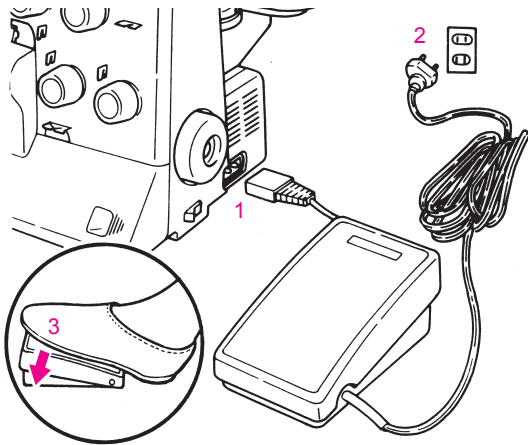


For home sewing spools

When using home sewing spools, remove the anti-vibration cones. Place a spool on the spool holder with its notch downward and push the spool caps on with the rounded outside edge at the bottom.



Preparing the machine



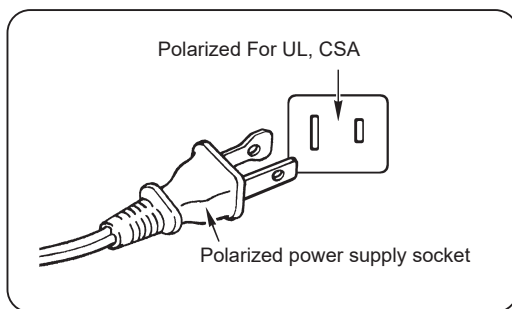
Attaching the foot control

1. Plug foot control into machine-socket-inlet.
2. Plug foot control into socket-outlet.
3. Lay your foot on the foot control.

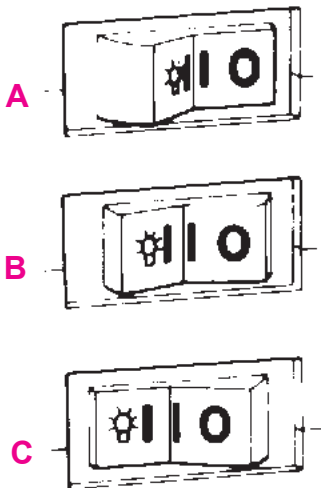
Press firmly on the foot control to increase sewing speed.
Press lightly on the foot control to decrease sewing speed.

⚠ CAUTION :

Be sure to turn OFF the power switch before plugging/unplugging the controller.



On/Off of the power/light switch



A Position **O** turns the power switch off.

B Position **I** turns the power switch on, and sewing operation is performable. The sewing light remains off.

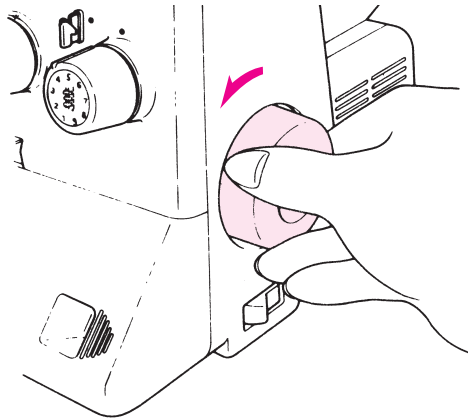
C Position **⚡** turns on both the power switch and sewing light.

⚠ CAUTION :

Perform these following steps when you are not using your sewing machine.

1. Turn the power/light switch off. (Press **O** side).
2. Be sure to remove the power plug from the wall outlet.
3. Do not place a thing on the foot controller.

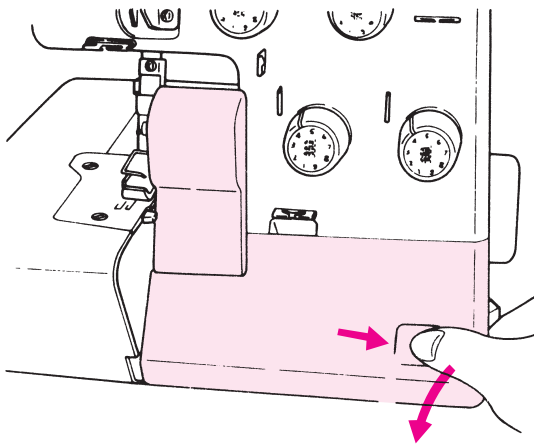
Operation and function



Handwheel (Pulley)

The handwheel turns toward you.

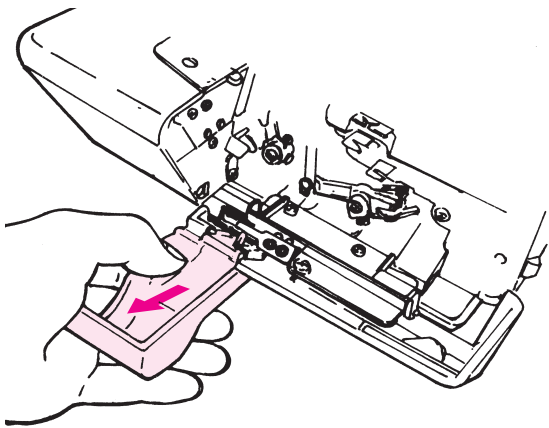
- Upon completion of threading, at sewing start or sewing end, be sure to turn the handwheel toward you.



Opening and closing the looper cover

Opening: To open the looper cover, pull the looper cover opening handle to the right, and tilt the looper cover toward you.

Closing: To close the looper cover, push up the looper cover, press it lightly to the right. The looper cover closes automatically.



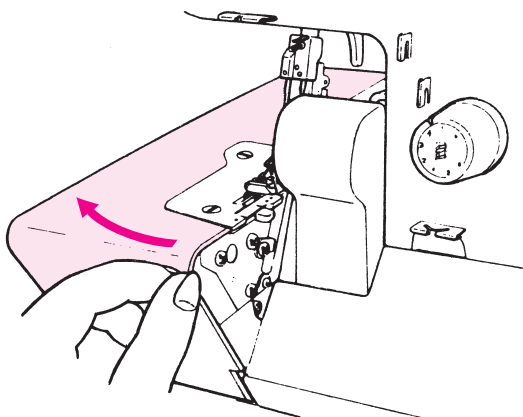
Removing and attaching the chip guard cover

Removing the chip guard cover:

To remove the chip guard cover, open the looper cover and draw the chip guard cover toward you until it comes off.

Attaching the chip guard cover:

To install the chip guard cover, open the looper cover and attach the chip guard cover in position while fitting its top end in the slit on the looper cover.



Opening and closing the cloth plate

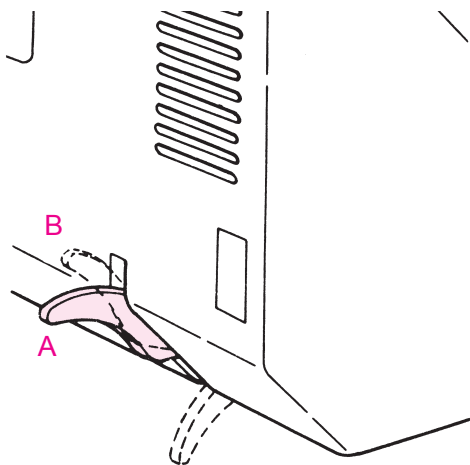
Opening: Press the cloth plate toward the outside.

Closing: Push the cloth plate toward the sewing machine.

⚠ CAUTION :

For safety, the power is automatically cut off when you open the looper cover or the cloth plate or remove the chip guard cover.

Operation and function

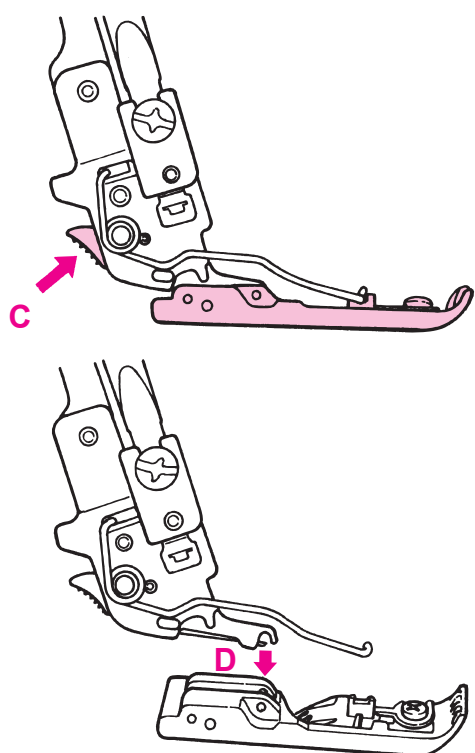


Presser foot lifter (To raise the presser foot by the presser foot lifter)

- A : For regular sewing operation (sewing a medium-weight material), raise the presser foot to position (A) illustrated in the figure.
- B : When you sew a heavy-weight material, raise the presser foot to position (B) illustrated in the figure, to provide more space between presser foot and throat plate.

! WARNING :

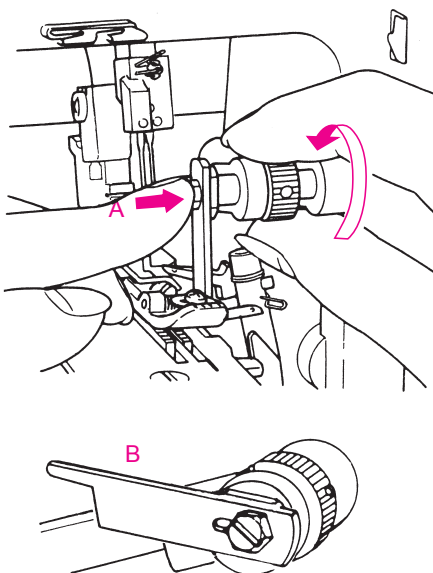
When using the extra lift (B), do not run the machine or turn the handwheel.



Changing the presser foot

! Switch the machine off (power switch "O")

1. Raise the presser foot.
2. Turn the handwheel until the needle is fully raised.
3. Press point (C) illustrated in the figure, and the presser foot will be released.
4. To release the presser foot, raise the presser foot lifting lever to its highest position (B). Then you can release the presser foot easily.
5. To attach the presser foot, place it so that the presser foot pin (D) comes exactly under the groove in the holder. Lower the presser foot lifting lever and the presser foot will engage automatically.

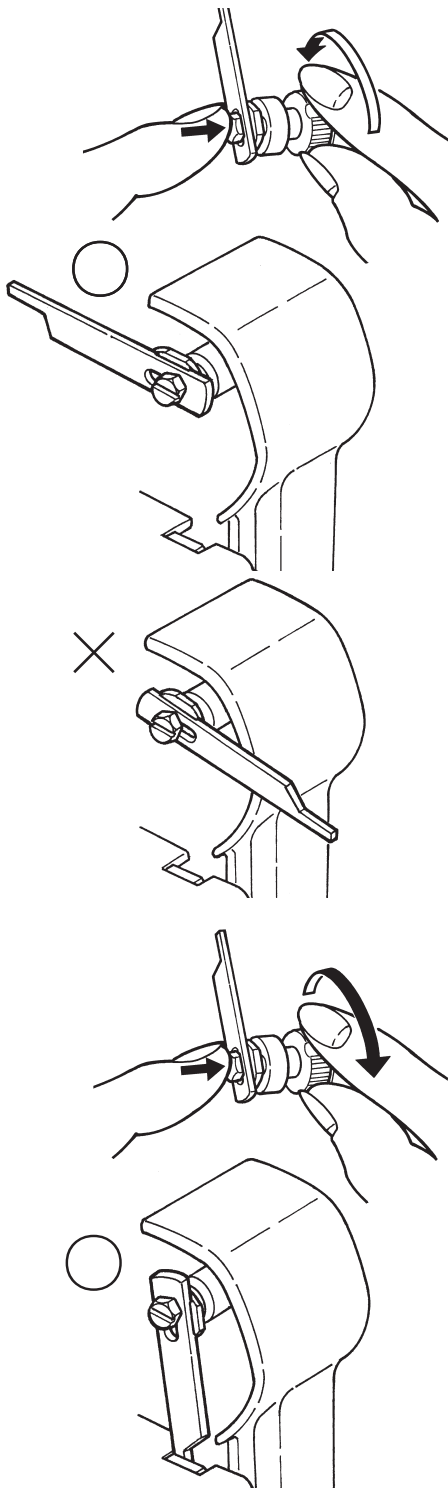


Releasing the upper knife

! Switch the machine off (power switch "O")

1. Turn the handwheel until the upper knife is fully raised. Open the looper cover.
2. Press the part indicated as (A) in the figure toward the right until it will go no further.
3. Keep pressing (A) and turn the knob on the right side in the direction of the arrow.
4. Turn the knob until the knife reaches position (B), and snaps into locked position.

Operation and function



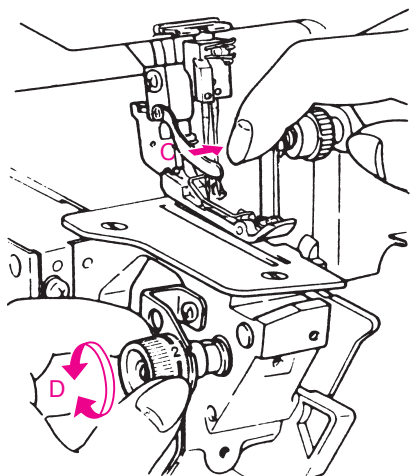
Caution, Raising and lowering the upper knife.



Make sure to set the upper knife at a prescribed position.

1. Raising the upper knife. Turn the knob clockwise until the knife reaches a prescribed position. Don't set the knife on the halfway position.
2. Lowering the upper knife. Turn the knob counterclockwise until the knife reaches a prescribed position. Don't set the knife on the halfway position.

Operation and function



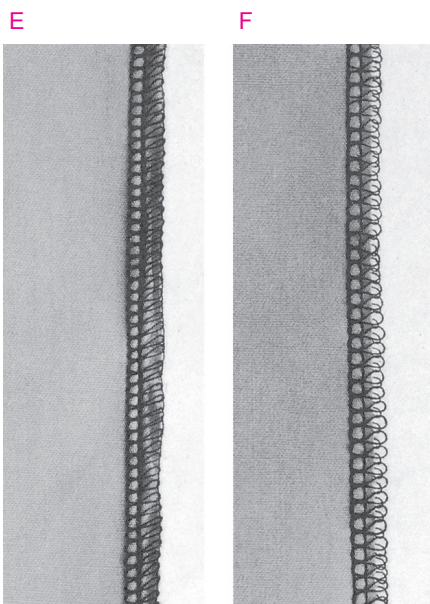
Lower knife adjusting knob (adjusting the lower knife position for cutting width)

⚠ Switch the machine off (power switch "O")

Turn the lower knife adjusting knob by pressing part (C) in the figure.

(E): If the edge of the sewing material curls, set the lower knife adjusting knob (D) to a lower number setting.

(F): If the thread is loosely looping on the outer edge of the material, set the lower knife adjusting knob, to a larger number setting.

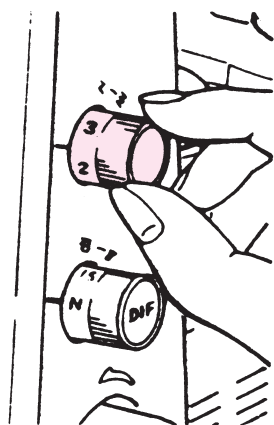


Stitch length adjusting knob (to adjust the stitch length)

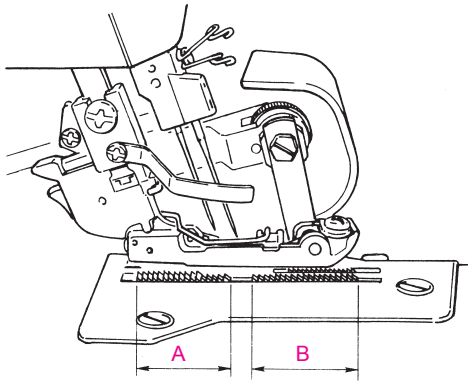
Stitch length is adjustable within the range from 1 to 4.

To adjust the stitch length, turn the stitch length adjusting knob and move the knob upwards or downwards

- For normal overlocking stitches set the stitch length adjusting knob at 2 to 3.

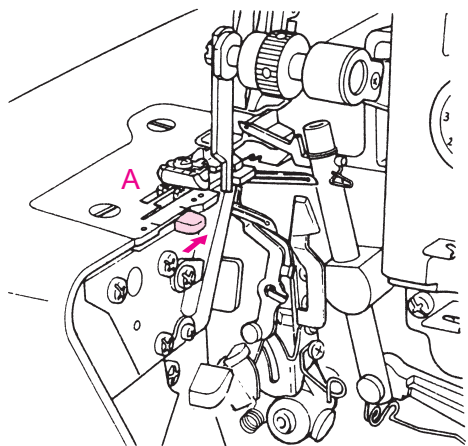
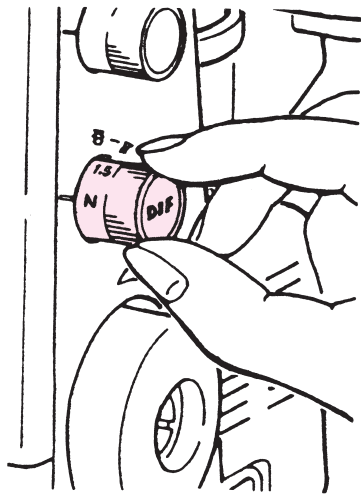


Operation and function



Differential feed adjusting knob (To adjust the feeding for gathering or stretching)

To adjust feeding for gathering or stretching, turn the differential feed adjusting knob upward or downward. The differential feed prevents fluting or waving in seams in stretchy materials by differentiating the feed of the front feed dog (A) and rear feed dog (B). For more application, information, see page 36.



Overlocking width selection knob (For overlocking or roll hemming)

⚠ Switch the machine off (power switch "O")

- Turn the handwheel until the needles are fully raised

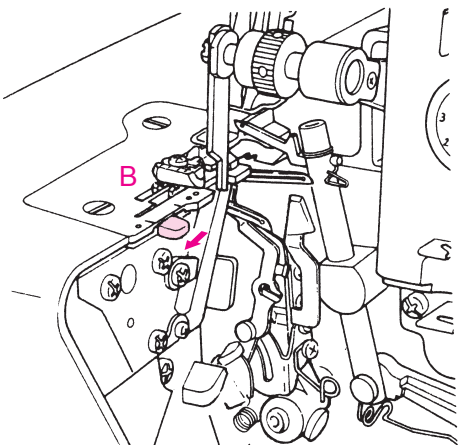
A For overlocking

Push the overlocking width selection knob should align with the rear red marking on the throat plate.

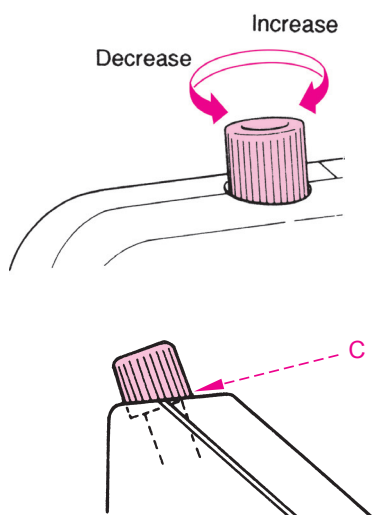
B For roll hemming

1. Pull the overlocking width selection knob should align with the front red marking on the throat plate.

2. Set the lower knife adjusting knob at "1 ~ 2".



Operation and function

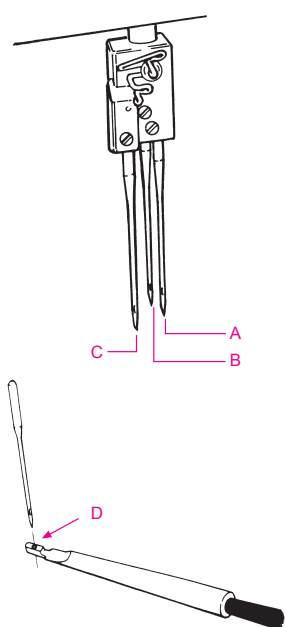


Presser foot pressure adjusting screw

Pressure of the presser foot has been factory-adjusted properly. Therefore you do not need to adjust it except when sewing a special material.

- To increase the pressure of the presser foot : For heavy-weight materials such as denim, tweed, or heavy linen.
- To decrease the pressure of the presser foot : For light-weight materials such as georgette, lace, or tricot.

(C): Standard position : The lower part of control cap aligns with the upper face of cover.



Changing the needles

⚠ Switch the machine off (power switch "O")

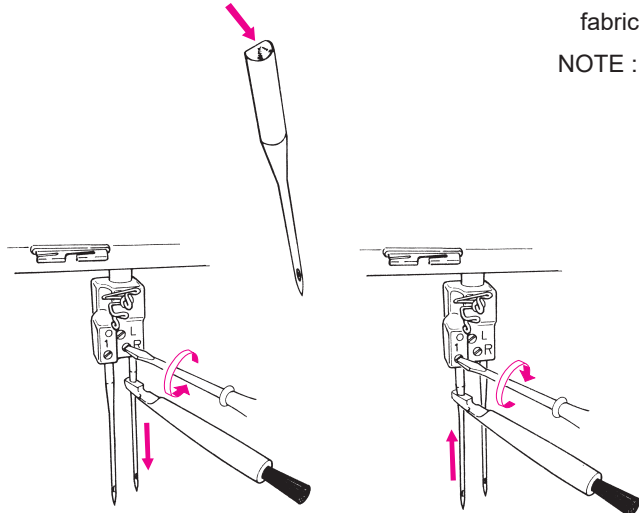
- Using the needle inserter (D) on the cleaning brush will help replace the needle easily.
1. Turn the handwheel until the needles are fully raised.
 2. Before changing the needles, lower or remove the presser foot.
 3. Using a small screwdriver, loosen the needle setscrew and remove the needle.
 4. Insert the needle with the flat side away from you into the needle clamp, making sure it is inserted as far up as possible. Tighten the needle clamp setscrews securely.

	Needles used	Types of needles	Size
A	Right-hand needle	Household type 130/705H	No. 75/11 or 90/14
B	Left-hand needle		
C	Chainstitch needle		

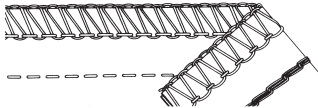
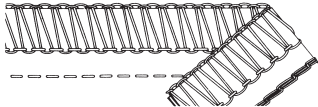
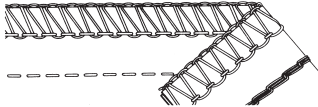
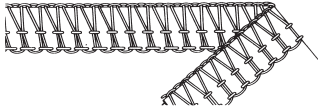
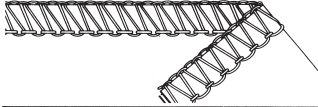
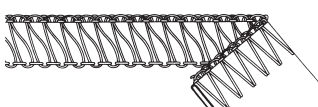
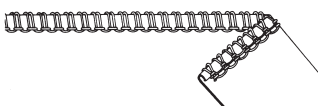
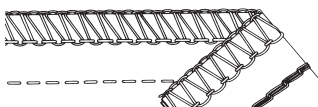
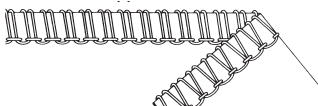
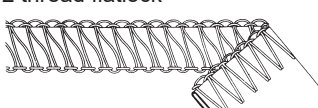
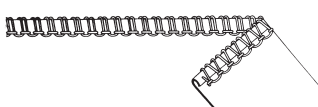
* Needle with No. 75/11 is intended for light-weight materials and general fabric. Needle with No. 90/14 is intended for heavy-weight materials.

NOTE : To insert the needle into the needle clamp, loosen the needle clamp screw until flush with the clamp and insert the needle as far as possible into the clamp.

Flat side of a needle



Stitch Chart

Stitch	Stitch width	Tension settings	Basic settings
5 thread overlock (chainstitch and narrow 3 thread overlock) 	3 - 5 mm, right needle Chainstitch needle 10 mm	Right needle green 3 - 5 Upper looper blue 3 - 5 Lower looper red 3 - 5 Chainstitch needle purple 3 - 4 Chainstitch looper purple	Stitch length: 2, 5 Cutting width: 2 Differential: N
5 thread overlock (chainstitch and wide 3 thread overlock) 	5- 7 mm, left needle Chainstitch needle 10 mm	Left needle brown 6 - 7 Upper looper blue 3 - 5 Lower looper red 3 - 5 Chainstitch needle purple 3 - 4 Chainstitch looper purple -	Stitch length: 2, 5 Cutting width: 2 Differential: N
2 thread chainstitch 	---	Chainstitch needle purple 3 - 4 Chainstitch looper purple -	Stitch length 2, 5 Knife: Raised, chainstitch seam guide plate used Differential: N -2 (knits), N - 0,7 (wovens)
4 thread overlock, with integrated safety seam 	5 - 7 mm, right and left needles	Left needle yellow 3 - 5 Right needle green 3 - 5 Upper looper blue 3 - 5 Lower looper red 3 - 5	Stitch length: 2, 5 Cutting width: 2 Differential: N - 2 (knits), N - 0,7 (wovens)
3 thread overlock 	3 - 5 mm, right needle 5- 7 mm, left needle	Left needle yellow 3 - 5 Right needle green 3 - 5 Upper looper blue 3 - 5 Lower looper red 3 - 5	Stitch length: 2, 5 Cutting width: 2 Differential: N - 1,5 (knits), N - 0,7 (wovens)
3 thread flatlock 	3 - 5 mm, right needle 5- 7 mm, left needle	Left needle yellow 1 - 2 Right needle green 1 - 2 Upper looper blue 3 - 5 Lower looper red 7 - 9	Stitch length: min. 2, 5 Cutting width: 2 Differential: N
3 thread roll hem 	2 mm, right needle	Right needle green 4 - 6 Upper looper blue 3 - 5 Lower looper red 5 - 7	Stitch length: 1 - 1.8 Cutting width: 1 - 1.5 Differential: N - 0.7 Stitch lever: roll hem
3 thread narrow seam 	2 mm, right needle	Right needle green 4 - 6 Upper looper blue 5 - 7 Lower looper red 3 - 5	Stitch length: 1 - 1.8 Cutting width: 1 - 1.5 Differential: N - 0.7 Stitch lever: roll hem
2 thread wrapped overlock 	3 - 5 mm, right needle 5- 7 mm, left needle	Left needle yellow 3 - 5 Right needle green 3 - 5 Lower looper red 2 - 4	Stitch length: 2.5 Cutting width: 2 Differential: N - 1,5 (knits), N - 0,7 (wovens)
2 thread flatlock 	3 - 5 mm, right needle 5- 7 mm, left needle	Left needle yellow 1 - 2 Right needle green 1 - 2 Lower looper red 4 - 6	Stitch length: min. 2, 5 Cutting width: 2 Differential: N
2 thread roll hem 	1,5 mm, right needle	Right needle green 3 - 5 Lower looper red 2 - 4	Stitch length: 1 - 1.8 Cutting width: 1 - 1.5 Differential: N - 0.7 Stitch lever: roll hem

Threading

Thread the machine carefully and in the correct sequence.

This is important for making beautiful seams.

Preparation

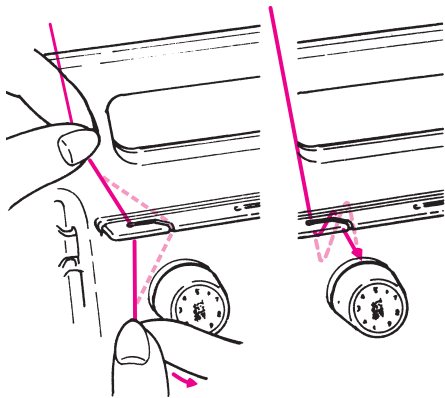
 **Switch the machine off (power switch "O")**

1. Retractable support rod with thread guide must be fully raised.
2. Open the looper cover and cloth plate.
3. Turn the handwheel toward you until the needles are fully raised.
4. Release the upper knife.

Thread the machine carefully and in the correct sequence.

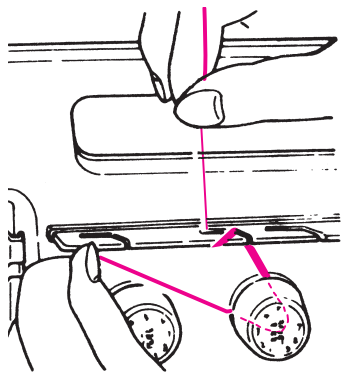
Invaluable threading aids simplify threading:

- colored threading illustration
 - color coded thread path on the machine.
 - threading accessories.
-



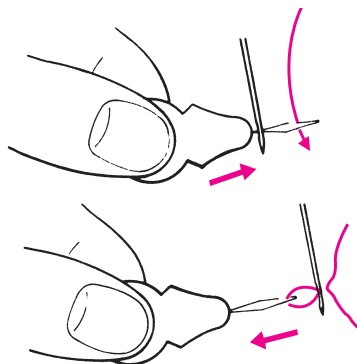
Thread guide plate

Slide thread into the two slits to form an S-loop.



Threading the tension dials

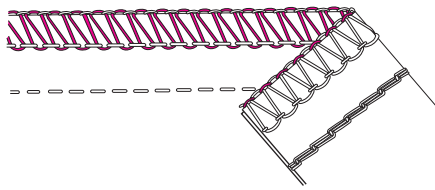
To lay the thread correctly between the tension discs, pull the thread lightly with both hands.



Needle threader

Insert the needle threader through the back of the needle eye or the looper eye then thread the needle threader. Pull the needle threader back until it pulls through the eyelet.

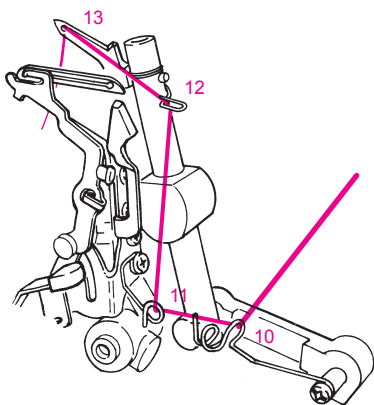
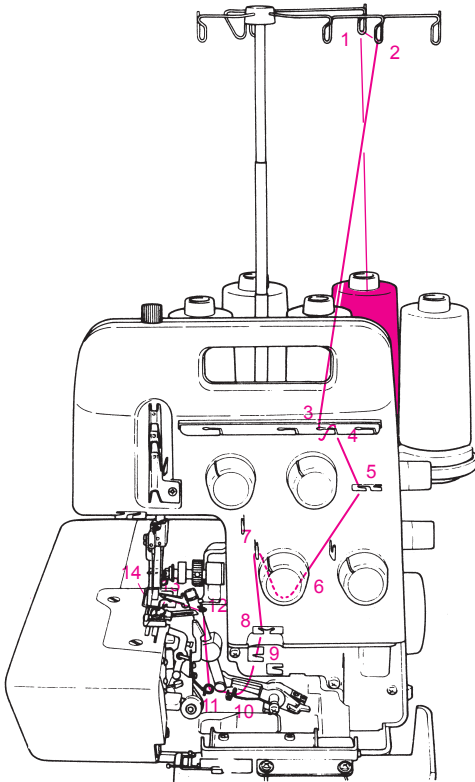
Threading: 5-thread overlook (chainstich & 3-thread overlook)



1. Upper looper thread (Blue)

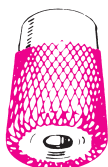
Place the spool on the spool pin right under blue marking on the retractable support rod thread guide.

- (1,2) Bring thread up from the rear of the retractable support rod thread guide with blue marking, to the front of it.
- (3,4) Pass the thread through the thread guide plate. Looping as shown.
- (5) Snap the thread into the thread guide.
- (6) Lay the thread between the thread tension dial discs.
- (7,8,9,10,11,12) Thread the thread guides.
- (13) Turn the handwheel until the upper looper is fully raised. Thread upper looper eye.
- (14) Pull about 10 cm of the thread out. Place the thread under the presser foot, and pull the thread from behind the presser foot.

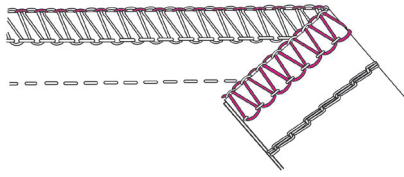


Use a net for a hard twisted thread.

When a thread coils around the thread guide due to its hard twist, cover the spools of upper looper and lower looper with nets.



Threading: 5-thread overlock (chainstich & 3-thread overlock)



2. Lower looper thread (Red)

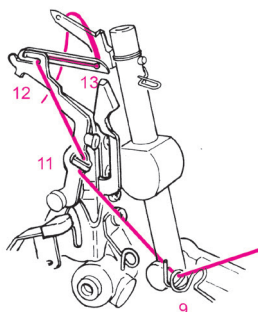
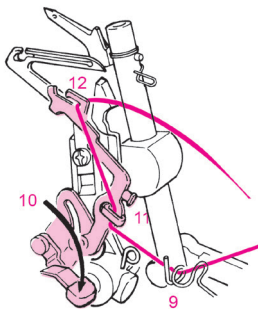
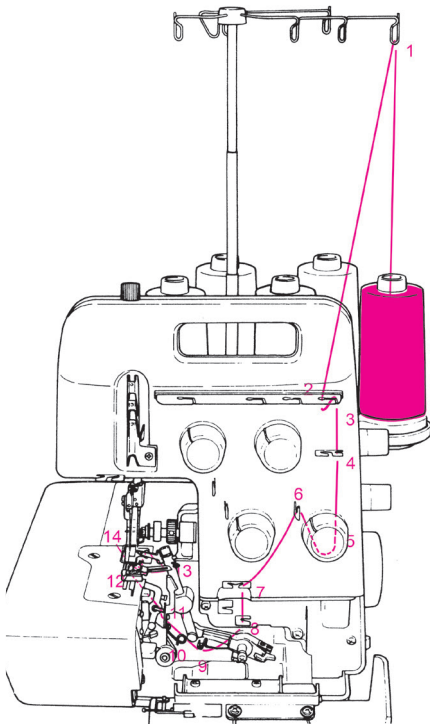
Place the spool on the spool pin right under red marking on the retractable support rod thread guide.

- (1) Bring thread up from the rear of the retractable support rod thread guide.
- (2,3) Pass the thread through the thread guide plate. Snapping into place.
- (4) Snap the thread in to the thread guide.
- (5) Thread the thread tension dial.
- (6,7,8,9) Thread the thread guides.
- (10) Raise the needles fully and press the lever of the threading device down.

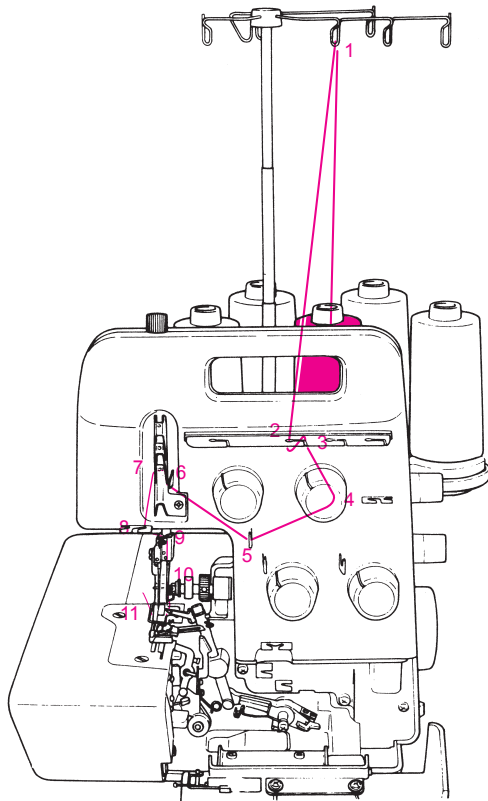
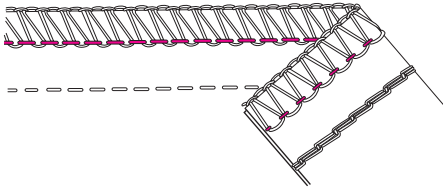
Thread upper looper eye.

- (11,12) Thread the guide and then the slit on the device. Holding the thread loosely with the left hand, turn the hand wheel until upper and lower loopers just cross. The threading device will automatically return to the normal position.
- (13) Thread the lower looper eye and place thread under the presser foot.

* If rethreading the lower looper thread, cut the needle threads at the needle. And rethread needle threads. Thread the lower looper and then the needles.



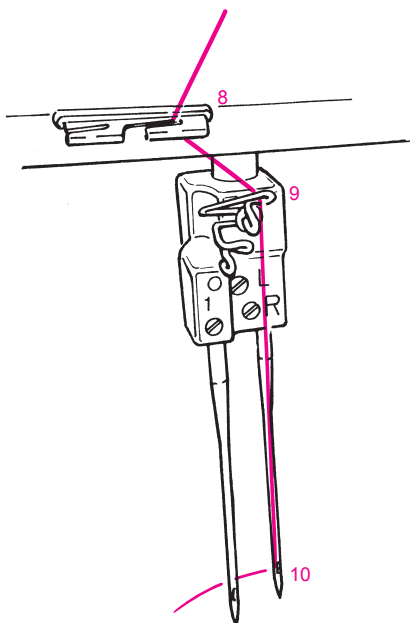
Threading: 5-thread overlock (chainstich & 3-thread overlock)



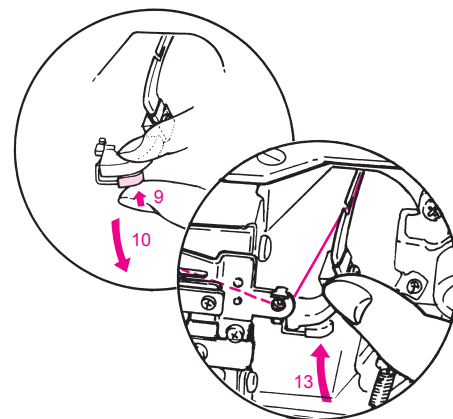
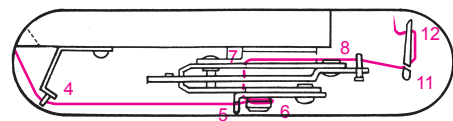
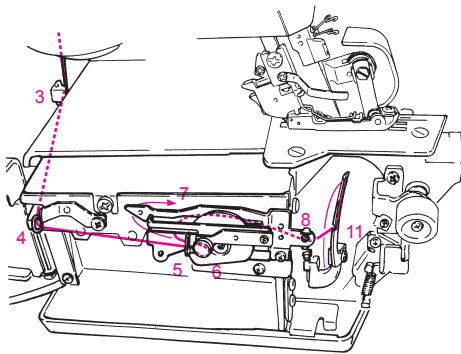
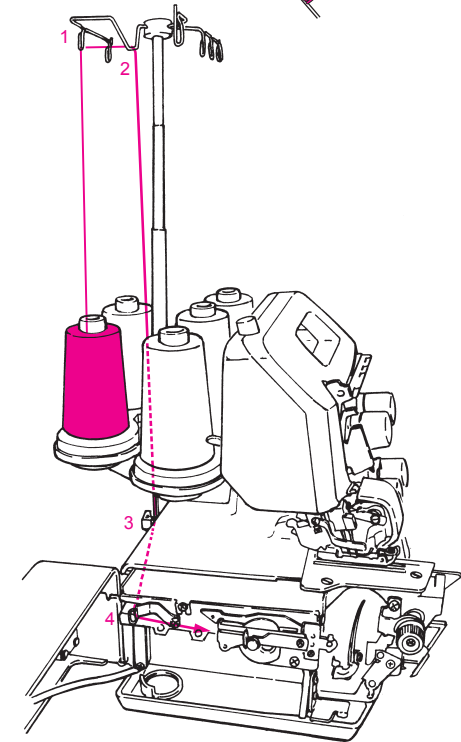
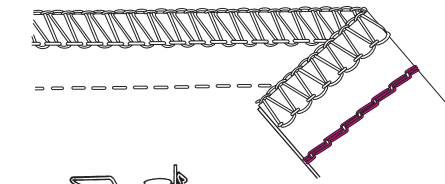
3. Right-hand needle thread (Green)

Place the spool on the spool pin right under the green marking on the retractable support rod thread guide.

- (1) Bring thread up from the rear of the retractable support rod thread guide with the green marking.
- (2,3) Pass the thread through the thread guide plate. Looping as shown.
- (4) Snap thread the thread tension dial.
- (5,6) Thread the thread guide.
- (7) Lay the thread in the under notch on the thread take-up cover.
- (8) Thread the thread guide.
- (9) Thread the thread guide on the needle clamp.
- (10) Turn the handwheel toward you until the needles are fully raised. Thread the right-hand needle.
- (11) Bring the thread through under the presser foot and pull about 10 cm of the thread out behind the presser foot.



Threading: 5-thread overlock (chainstich & 3-thread overlock)



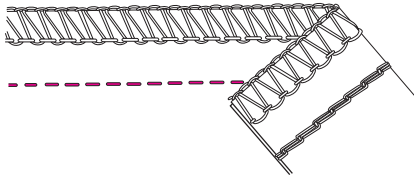
4. Chainstich looper thread(purple)

Place the spool on the spool pin right under the purple marking on the retractable support rod thread guide.

- (1,2) Bring the thread up from the spool and take it from back to front through the purple guides.
- (3,4) Thread guides on back of machine and inside the cloth plate.
- (5,6) Thread the tension.
- (7) Place the thread horizontally in the guide.
- (8) Thread the guide.
- (9,10) Push the chainstich looper auto-threader up towards the chainstich looper and press them down together.
- (11) Thread the auto-threader.
- (12) Thread the looper eye from front to back and cut thread back to about 8 cm (3").
- (13) Press the looper to the right and it will return to its normal position.

Note: If the chainstich looper thread has to be rethreaded, cut the chainstich needle thread at the eye and remove. Thread the looper first and then the needle.

Threading: 5-thread overlock (chainstich & 3-thread overlock)

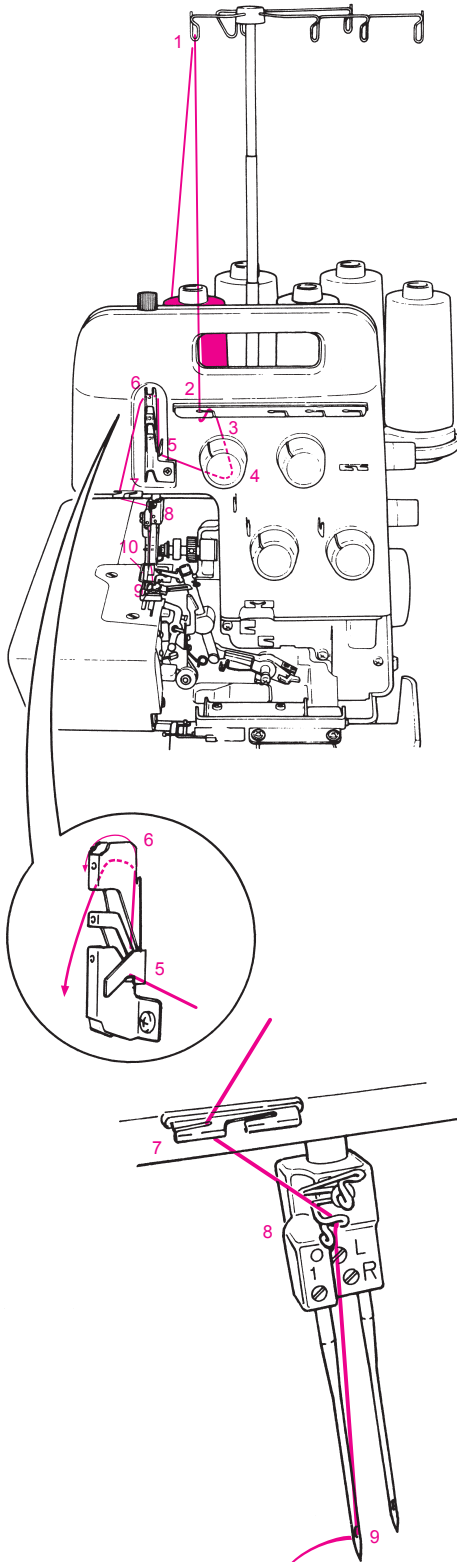


5. Chainstitch needle thread (purple)

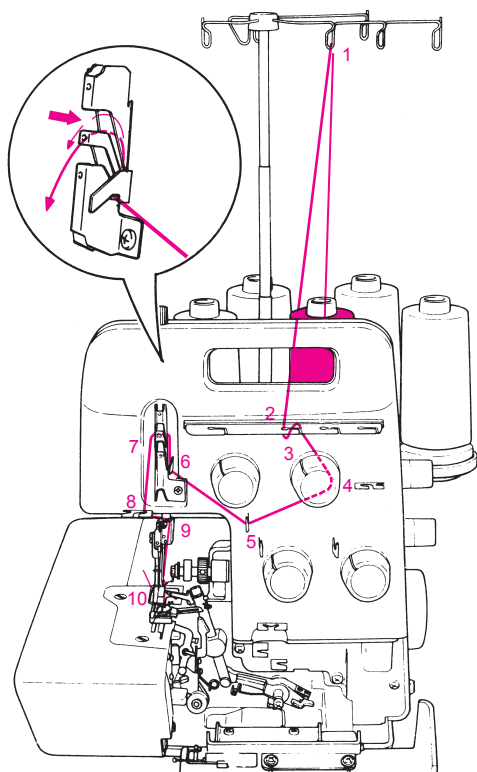
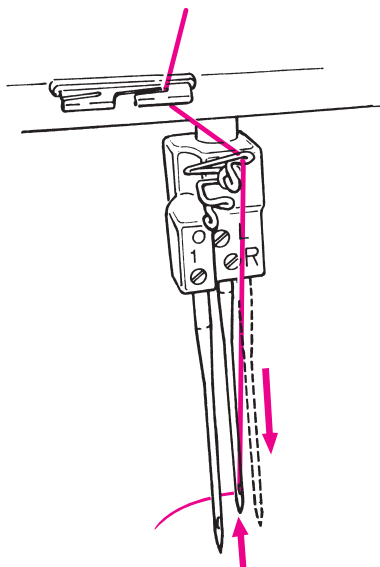
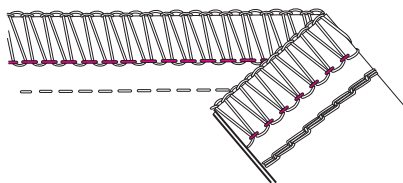
Place the spool on the spool pin right under the purple marking on retractable support rod thread guide.

- (1) Bring the thread up from the spool to the thread guide and take it through the purple thread guide.
- (2,3) Thread the thread guide.
- (4) Thread the thread tension dial.
- (5) Thread the thread guide.
- (6) Lay the thread in the up side notch on the thread take-up cover.
- (7,8,9) Push the chainstitch looper auto-threader up towards the chainstitch looper and press them down together.
- (10) Thread the chainstitch needle. Pull about 10 cm of the thread out from the needle eye.

When threading is completed, lower the upper knife and close the looper cover and cloth plate. Switch the machine on.



Threading: 5-thread overlock (chainstich & wide 3-thread overlock)



Left-hand needle (brown)

If chainstich is sewn with a wide 3 thread overlock, use the left-hand needle and follow the brown markings. Place the spool on the spool pin under the brown markings on the thread guide.

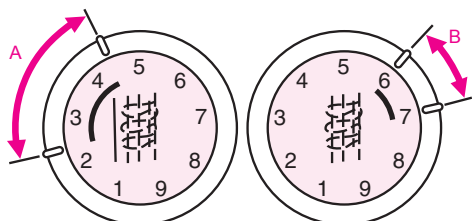
- (1) Bring the thread up from the spool and take it from back to front through the brown guide.
- (2,3) Pass the thread through the thread guide bar.
- (4) Thread the thread tension dial.
- (5,6) Thread the thread guides.
- (7) Thread the center notch of the take-up cover.
- (8) Thread the guide.
- (9) Thread the guide on the needle clamp.
- (10) Thread the left-hand needle from front to back and lay the thread to the left under the presser foot.

- Chainstich needle thread tension: 2.5 - 4.5 (A)
- Left-hand needle thread tension: 6-7 (B)
- Upper and lower looper thread tension: 3 - 5

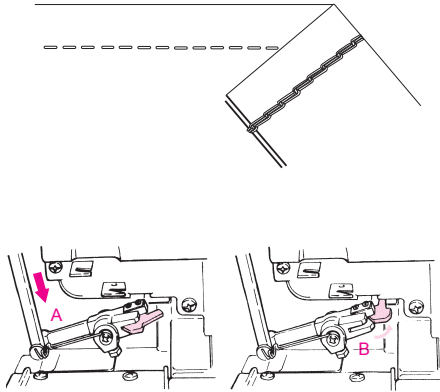
When threading is complete

After threading, lower the foot and upper knife (if raised).

Close the looper and cloth plate covers. Switch the machine on.



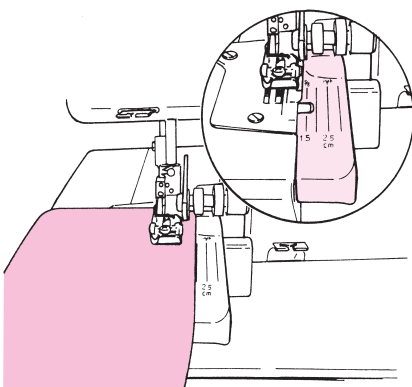
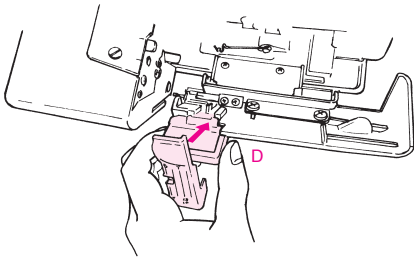
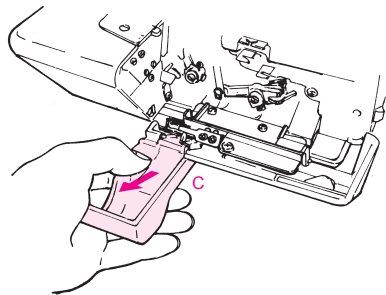
2-thread chainstitch



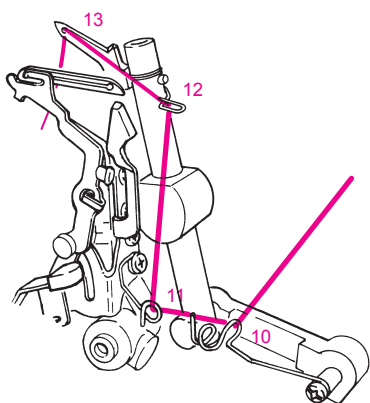
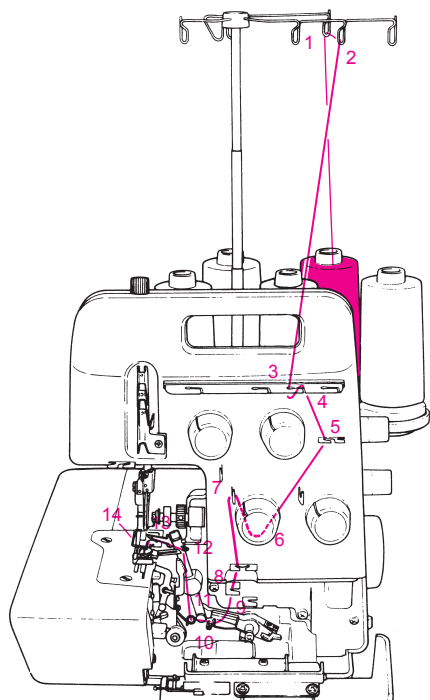
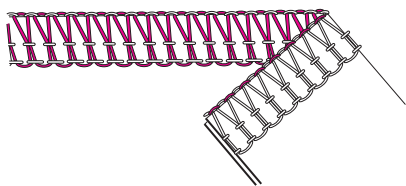
2-thread chainstitch (Purple)

- (1) Raise the upper knife.
- (2) Remove the right and left-hand needles.
- (3) Thread the chainstitch looper and needle.
- (4) Open the looper cover and turn the handwheel towards you until the upper looper is in its lowest position (A).
- (5) Push the upper looper release back to disengage the looper (B).
- (6) Remove the knife guard (C) and attach the chainstitch seam guide plate (D).
- (7) Close the looper cover.

Important : When you have finished chainstitch sewing, remove the seam guide plate and replace the knife guard, lock the upper looper, lower the knife and close the looper cover.



Threading: 4 thread overlock



1. Upper looper thread (Blue)

Place the spool on the spool pin right under blue marking on the retractable support rod thread guide.

(1,2) Bring thread up from the rear of the retractable support rod thread guide with blue marking to the front of it.

(3,4) Pass the thread through the thread guide plate. Looping as shown.

(5) Bring the thread on to the thread guide.

(6) Snap the thread into the thread tension dial discs.

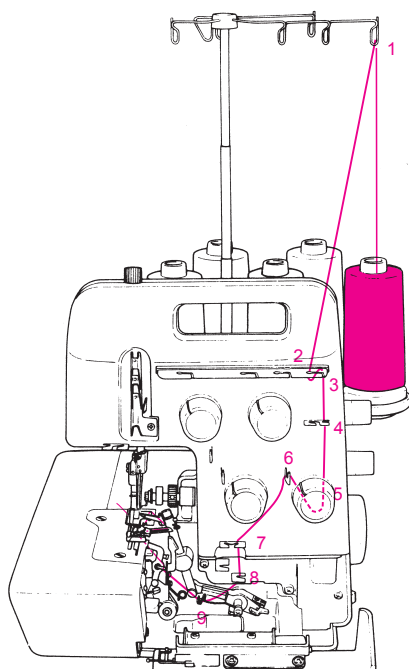
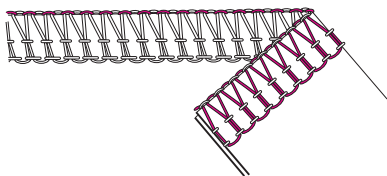
(7,8,9,10,11,12) Thread the thread guides

(13) Turn the handwheel until the upper looper is fully raised. Thread upper looper eye.

(14) Pull about 10 cm of the thread out.

Place the thread under the presser foot, and pull the thread from behind the presser foot.

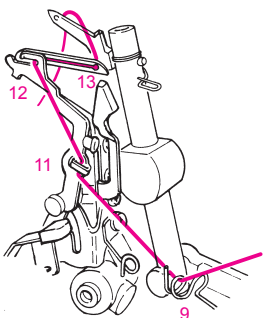
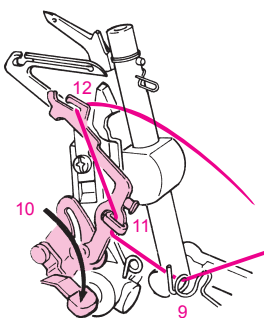
Threading: 4 thread overlock



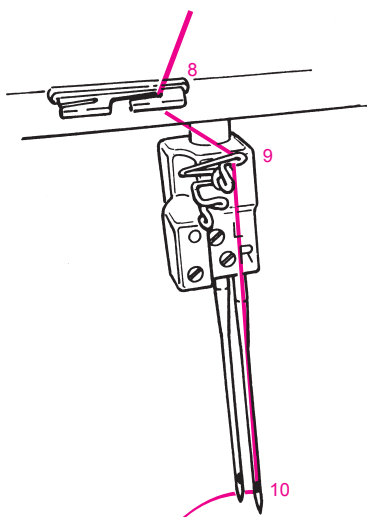
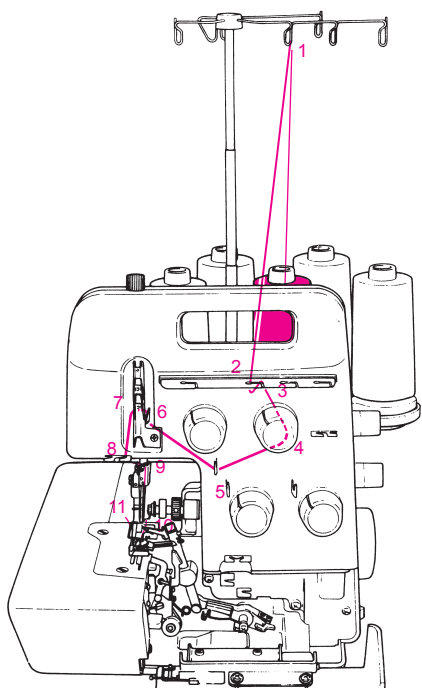
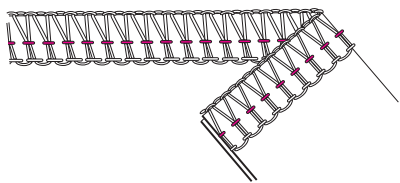
2. Lower looper thread (Red)

Place the spool on the spool pin right under red marking on the retractable support rod thread guide.

- (1) Bring thread up from the rear of the retractable support rod thread guide.
 - (2,3) Pass the thread through the thread guide plate. Looping as shown.
 - (4) Bring the thread on to the thread guide.
 - (5) Thread the thread tension dial.
 - (6,7,8,9) Thread the thread guides.
 - (10) Raise the needles fully and press the lever of the threading device down.
 - (11,12) Thread the guide and then the slit on the device. Holding the thread loosely with the left hand, turn the hand wheel until upper and lower loopers just cross. The threading device will automatically return to the normal position.
 - (13) Thread the lower looper eye and place thread under the presser foot.
- * If rethreading the lower looper, cut the both needle threads off at the needles, and rethread the needles. Thread the lower looper and then the needles.



Threading: 4 thread overlock

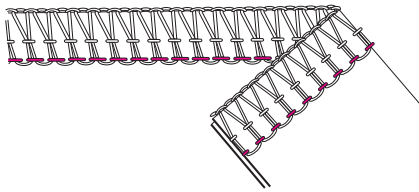


3. Right-hand needle thread (Green)

Place the spool on the spool pin right under the green marking on the retractable support rod thread guide.

- (1) Bring thread up from the rear of the retractable support rod thread guide with the green marking.
- (2,3) Pass the thread through the thread guide plate. Looping as shown.
- (4) Thread the thread tension dial.
- (5,6) Thread the thread guide.
- (7) Lay the thread in the under notch on the thread take-up cover.
- (8) Thread the thread guide.
- (9) Thread the thread guide on the needle clamp.
- (10) Turn the handwheel toward you until the needles are fully raised. Thread the right-hand needle.
- (11) Bring the thread under the presser foot and pull about 10 cm of the thread out behind the presser foot.

Threading: 4 thread overlock

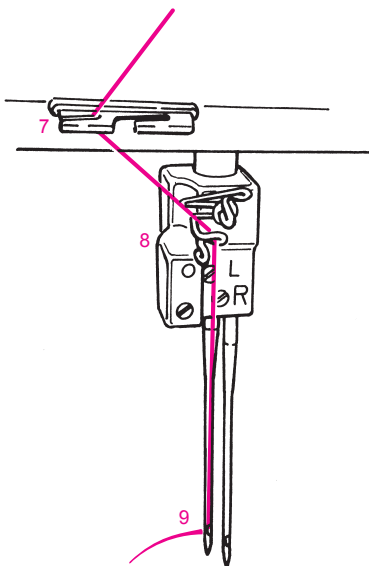
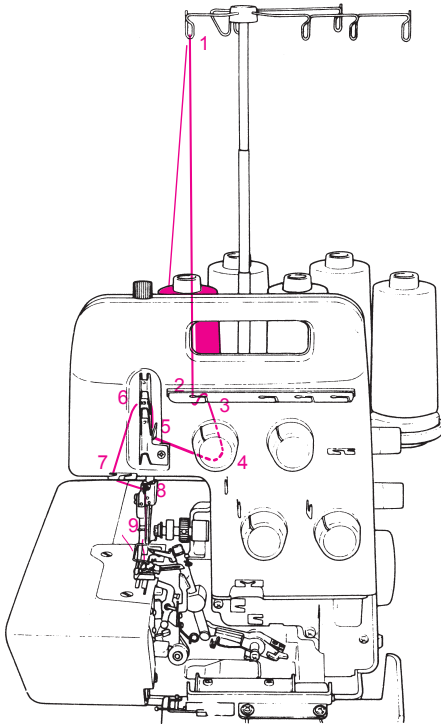


4. Left-hand thread needle (Yellow)

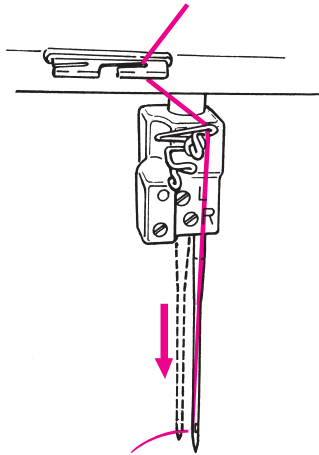
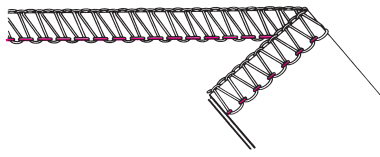
Place the spool on the spool pin right under the yellow marking on retractable support rod thread guide.

- (1) Bring the thread up from the spool to the thread guide and take it through the yellow thread guide.
- (2,3) Thread the thread guide. Looping as shown.
- (4) Thread the thread tension dial.
- (5) Thread the thread guide.
- (6) Lay the thread in the center notch on the thread take-up cover.
- (7,8) Thread the thread guides.
- (9) Thread the left-hand needle. Pull about 10 cm of the thread out from the needle eye.

When threading is completed, lower the upper knife and close the looper cover and cloth plate.



3-thread overlocking



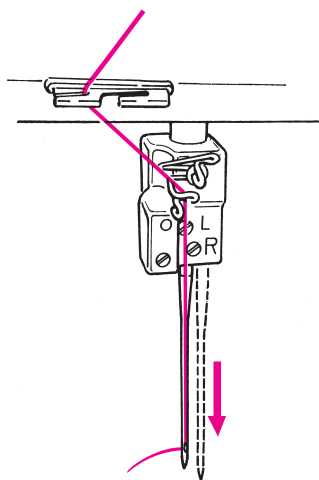
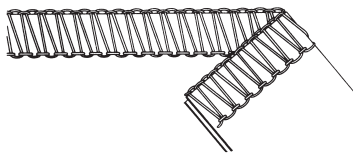
4 mm wide 3-thread overlocking (Right-hand needle) (Blue, red, and green)

* Remove the left-hand needle.

Thread in the following order.

- (1) Upper looper thread (Blue)
- (2) Lower looper thread (Red)
- (3) Right-hand needle thread (Green)

* If the machine is already threaded with the left-hand needle cut off and remove the thread.



6 mm wide 3-thread overlocking (Left-hand needle) (Blue, red, and yellow)

* Remove the right-hand needle.

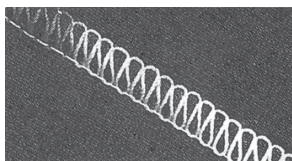
Thread in the following order.

- (1) Upper looper thread (Blue)
- (2) Lower looper thread (Red)
- (3) Left-hand needle thread (Yellow)

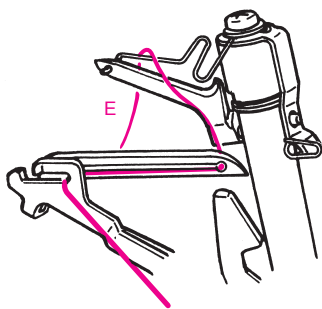
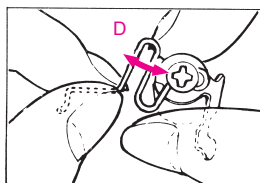
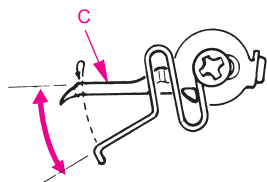
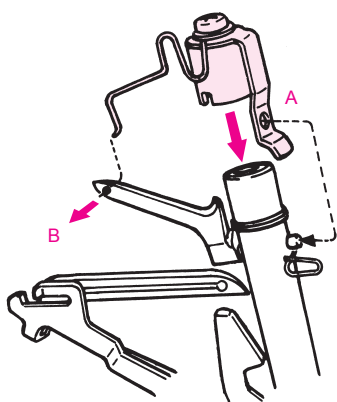
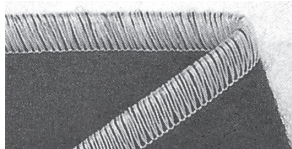
* If the machine is already threaded with right-hand needle thread, cut off and remove the thread.

2/3 thread converter

2-thread flatlock



2-thread wrapped overlook



How to use the 2/3 thread converter



Switch the machine off (power switch "O")

* This attachment enables the machine to perform 2 thread overedging or decorative-stitching, using 2 needles to perform 3-thread super stretch stitching.

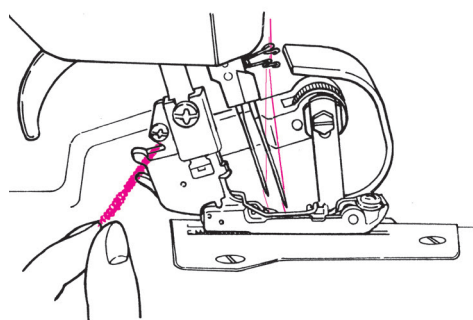
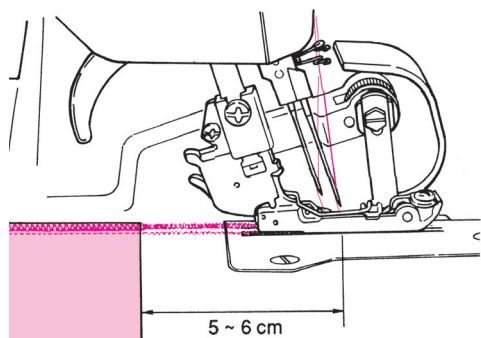
- ① Remove the upper looper thread, and insert the 2/3 thread converter into the top section (A) of the upper looper shaft and fit wire (B) into the hole in the upper looper.

Upper looper (C):

Push the wire behind looper and into the eye of the looper.

(D): If the wire is not sufficiently springy or it cannot be fitted in the hole in the upper looper smoothly, adjust the curved section of the wire.

Trial sewing



After threading, make a sample stitch.

Be sure to use a double layer of fabric in order to check whether the seam and thread tension for correctness.

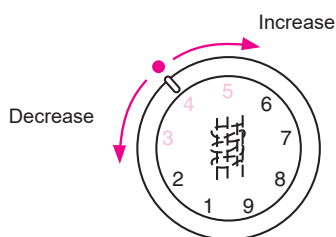
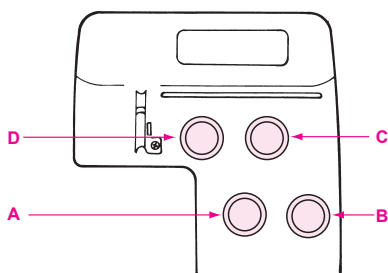
Chainstitch sewing test:

- (1) Set the thread tension dials.
- (2) Lower the upper knife, depending on stitch choice.
- (3) Lower the presser foot.
- (4) When starting to sew chainstitch, place the fabric under the presser foot (chainstitch can only be sewn in fabric). Sew.
- (5) At the end of the seam, continue sewing to form a 5 to 6 cm long thread chain.
- (6) Holding the fabric with one hand, pull the thread chain over the thread cutter on the presser foot shank.

Overlock sewing test:

- (1) Set the thread tension dials.
- (2) Make sure that the upper knife is lowered, (in the cutting position).
- (3) Lower the presser foot.
- (4) Raise the tip of the presser foot with your thumb and place the fabric under the foot up to the knife. Let go of the foot and sew.
- (5) At the end of the seam, continue sewing to form a 5 to 6 cm long thread chain.
- (6) Holding the fabric with one hand, pull the thread chain over the thread cutter on the presser foot shank.

Thread tension dial



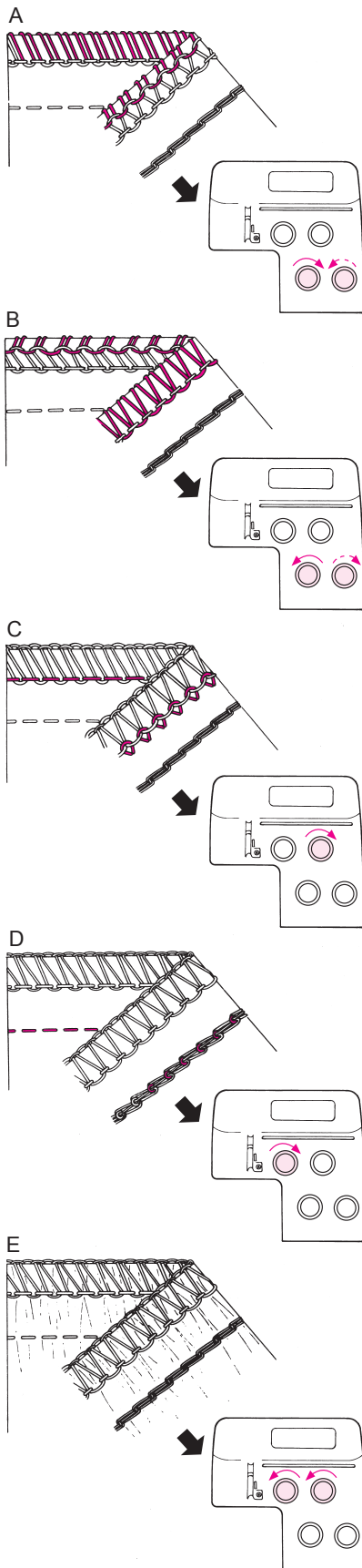
Adjusting the thread tension

Imperfect stitch formation can be corrected by adjusting the set value (1 to 9) on the thread tension dial.

Adjusting thread tension dial		Standard of the thread tensioner dial
A	Upper looper thread tension	3 - 5
B	Lower looper thread tension	3 - 5
C	Right-hand needle thread tension	3 - 5
	Left-hand needle thread tension (for chainstitch and wide 3-thread overlock)	6 - 7
D	Chainstitch needle thread tension	2.5 - 4.5
	Left-hand needle thread tension	3 - 5

* When using filament thread or wooly nylon thread, adjust the thread tension accordingly.

Adjusting the thread tension



Adjusting the thread tension

Turn the thread tension dial in the direction of the arrow, and make a trial sewing.

A- If the upper looper thread meet on the underside of the fabric:

B- If the lower looper thread meet on the upper side of the fabric:

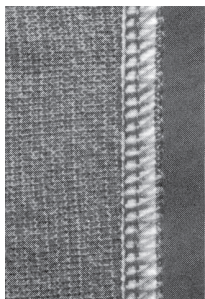
C- If the right-hand needle thread forms loops on the underside of the fabric:

D- If the chainstitch needle thread forms loops on the underside of the fabric:

E- If the fabric puckers du ring sewing:)

* Adjustment can be made by setting the lower knife adjusting knob to the smaller value on the scale.

Sewing in tape



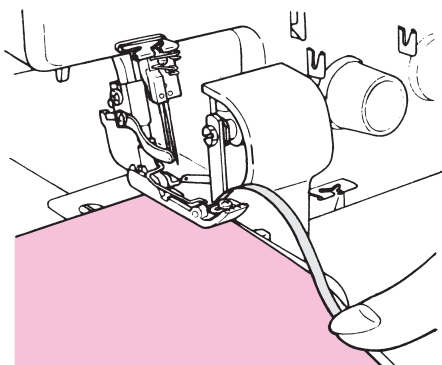
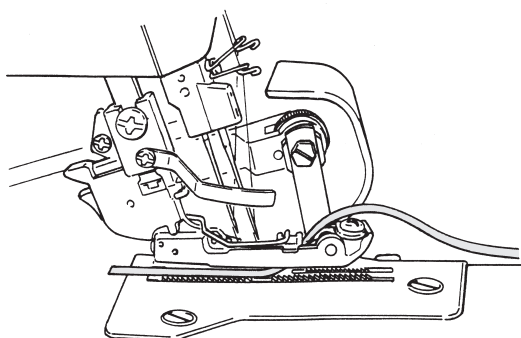
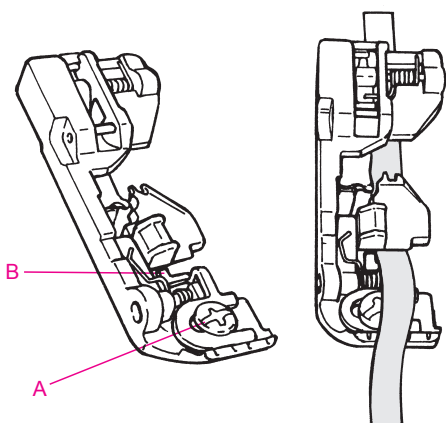
Sewing in tape



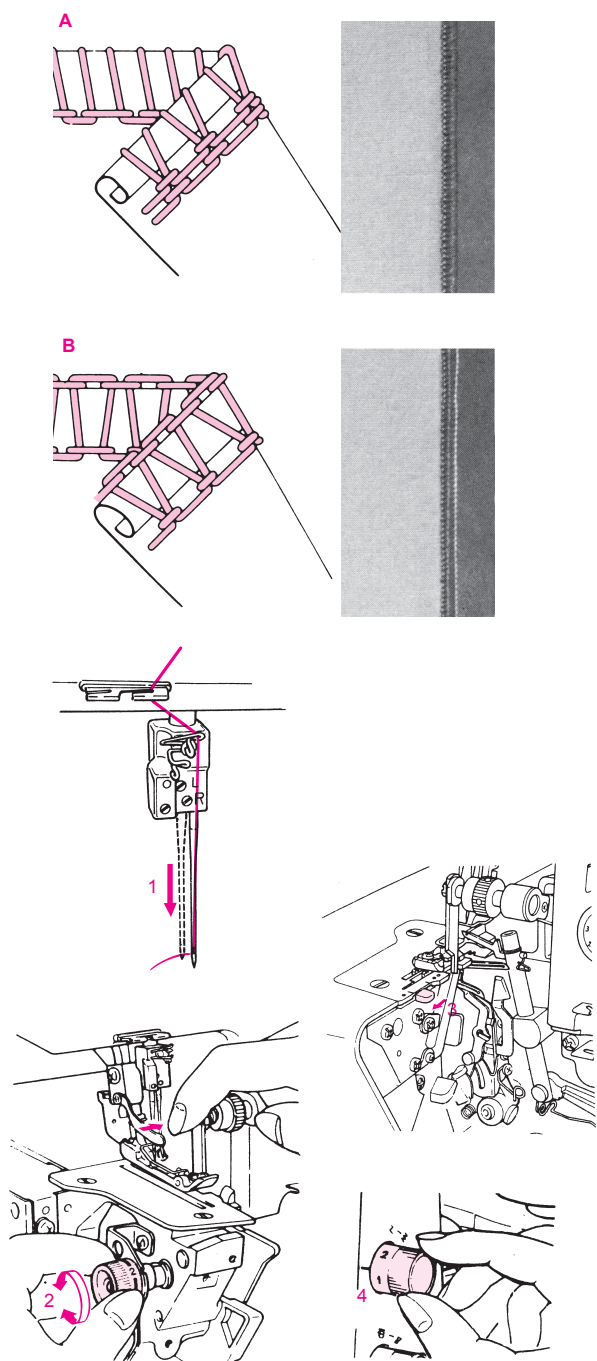
Switch the machine off (power switch "O")

The standard presser foot is equipped with a tape guide. When sewing shoulders or side seams of stretchy fabrics as a knitted fabric, a tape works effectively to stabilize the seam.

1. Remove the upper looper thread, and insert the 2/3 thread converter into the top section (A) of the upper looper shaft and fit wire (B) into the hole in the upper looper.
2. Raise the presser foot, place the tape in the groove on the presser foot, and lower the presser foot.
3. Loosen the guide adjusting screw (A) to fit the tape guide (B) to the tape width, then tighten the screw.
4. Turn the handwheel manually to make two or three stitches in the tape.
5. Place the fabric to be sewn under the presser foot.
6. Sew, guiding the tape lightly.



Roll hemming



Roll hemmer



Switch the machine off (power switch "O")

The roll hemmer is built-in to the sewing machine. The fabric edge is automatically rolled and oversewn. The result is a very fine and narrow edge finishing.

Preparation for roll hemming

1. Remove the left-hand needle and thread the machine as for 3-thread overlocking.
 2. Set the lower knife adjusting knob at "1 - 2".
 3. Turn the overlocking width selection knob toward you to align with the red marking in front of the throat plate.
 4. Set the stitch length adjusting knob at "1 - 1.5".
- * Adjust the thread tensions as desired. Tighten the lower looper tension.

(A): Rolled hem

Roll hemming stitch sews the fabric edge with the upper looper thread.

(B): Narrow overlock stitch

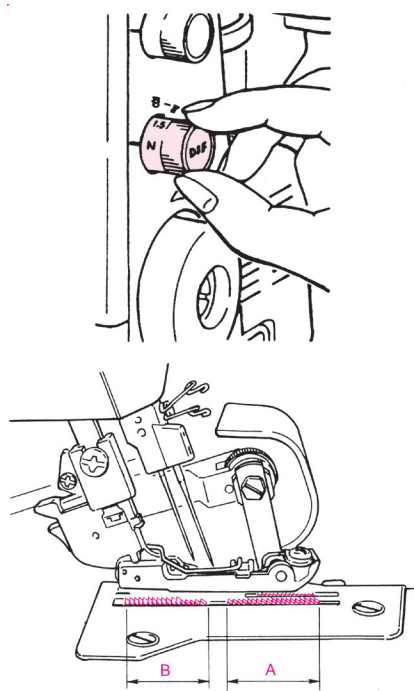
Narrow overlock stitch is to sew normal overlock stitches of which cutting width is narrower than usual.

Standard thread tension list for roll hemming (rolled hem, narrow overlock stitch)

- Thread tension slightly differs depending on the types of the fabric and thread.
- Use the woolly nylon thread or thinner thread for roll hemming to attain the beautiful finish.
- Use the thin spun thread thinner than #80.
- Woolly nylon thread can be used only for the upper looper.
- Adjust the thread tensions as desired.

Thread tension dial value	For rolled hem			For narrow overlock stitch		
	Needle thread	Upper looper	Lower looper	Needle thread	Upper looper	Lower looper
Thread to be used						
Spun thread #80	4 - 6	3 - 5	7 - 9	4 - 6	5 - 7	4 - 6
Filament thread #80	3 - 5	3 - 5	6 - 8	3 - 5	3 - 5	3 - 5
Woolly nylon thread		3 - 5			3 - 5	

Differential feed

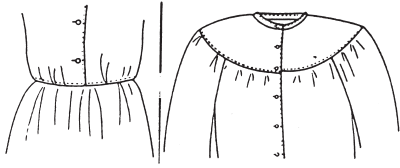


Differential feed

Gathering and stretching of the fabric can be adjusted by adjusting the differential feed adjusting knob (differentiate the feeding amount of front feed dog (A) or rear feed dog (B).) After adjusted, be sure to sew on trial.

Sewn with waves		Sewn with puckerings					
Fabric	<ul style="list-style-type: none"> Wool knit, thick hand-knitted garments, and other stretchy fabrics. 	<ul style="list-style-type: none"> Thin knitted fabric, knitted garments, and jersey. 	<ul style="list-style-type: none"> Woven fabrics 	<ul style="list-style-type: none"> Georgette, linen, satin, poplin 			
	Set value of the differential feed adjusting knob						
N → 1.5 - 2		N → 1.5		N		N → 0.7	

Gathering



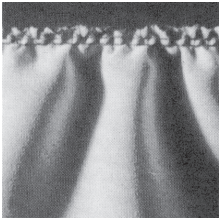
Gathering

1. A single layer of light-weight fabric can be gathered.
2. Set the stitch length adjusting knob at max. "4".
3. Set the differential feed adjusting knob at "1.5 - 2".

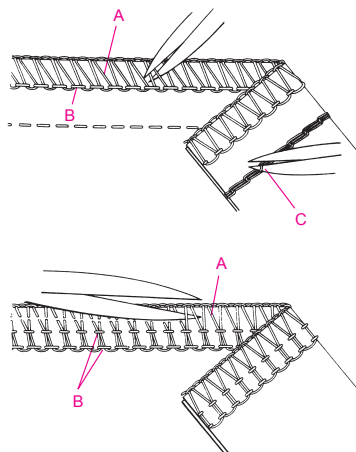
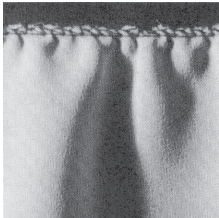
For examples: Sleeve heads, lower edges, yokes, lace edging or frills

- * When sewing without differential feed, set the differential feed adjusting knob

4-thread gathering



3-thread gathering



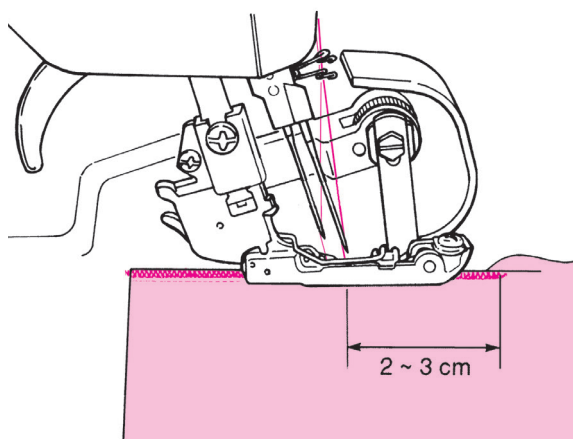
Unpicking seams

Unpicking the seams of the 4 or 3-thread overlock

Cut the thread at (A), (C) with scissors, and pull needle thread (8).

The stitches will come undone.

Thread breakage during sewing

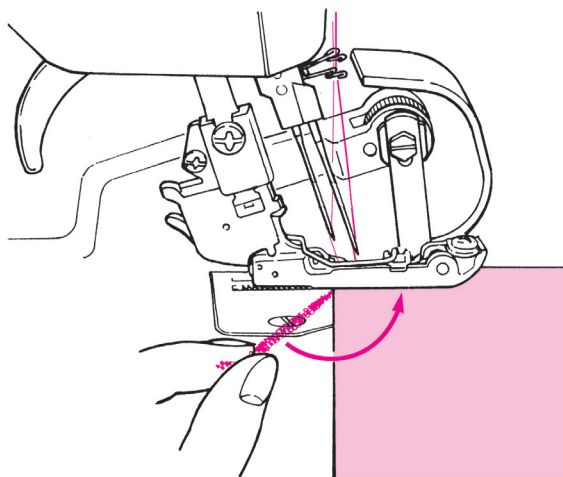


Thread breakage during sewing



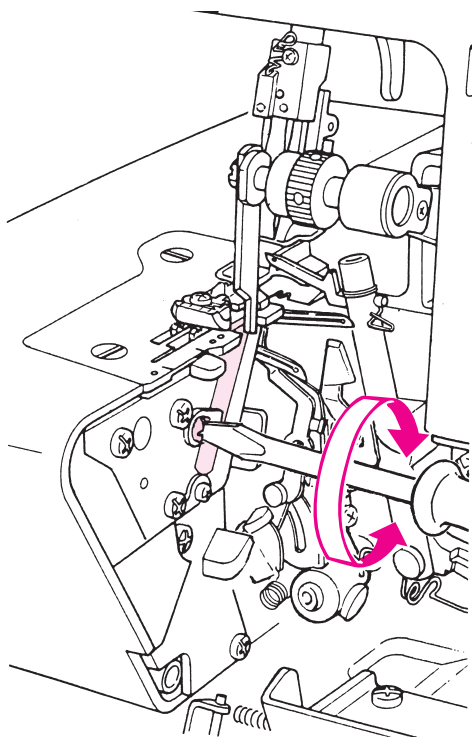
Switch the machine off (power switch "O")

1. Turn the workpiece at a right angle direction and stop sewing immediately. Then remove the workpiece.
2. Rethread
 - * If the lower looper thread is broken, cut the both needle threads off at the needle. Then remove the threads. Thread the lower looper and then the needles.
 - * If the upper looper thread is broken, remove the looper to lowest position. Then thread the looper thread. Bring the thread through under the presser foot and pull about 10 cm of the thread out behind the presser foot.
3. Raise the presser foot, and place the workpiece under the presser foot. Sew about 2 to 3 cm over the seam which has already been sewn before the thread breakage.



Securing seams

1. Sew about 3 to 4 cm of the thread chain at the beginning of seams.
 2. Sew 2 to 3 stitches on the fabric.
 3. Lower the needle and raise the presser foot.
 4. Stretch the thread chain and lay it between the presser foot and the fabric from the left.
 5. Lower the presser foot and sew over the thread chain.
If you do not sew over the thread chain, be sure to leave enough thread chain at the beginning and end of a seam so that it can be knotted or pulled through the stitches with a darning needle.
- * When seams cross over one another, the thread chain is automatically closed.



Replacing the upper knife

The upper knife is made of special extra-hard steel and does not need to be replaced.

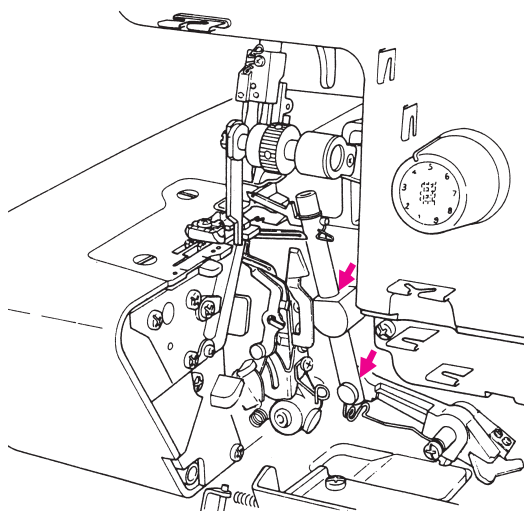
Replace the upper knife only when the knife blade lip is damaged. For a replacement, contact your local dealer.

Replacing the lower knife



Always must be disconnected plug from socket-outlet.

1. Turn the handwheel toward you until the needles are fully raised.
2. Release the upper knife.
3. Loosen the setscrews on the lower knife retaining plate with the large screwdriver. Then remove the lower knife.
4. Fit the replacement knife (spare lower knife) into the groove and attach the lower knife to the knife vertical motion adjuster. (The lip of the lower knife blade aligns with the upper surface of the throat plate.)
5. Tighten the setscrews on the lower knife retaining plate securely.



Cleaning and lubricating



Main switch off "O". Disconnect machine from electricity supply.

During sewing, dust and fluff collect in and on the machine. This should be removed regularly. Your overlock machine requires very little lubrication. Now and then, lubricate only the points illustrated. Please refer to safety instructions.



Precautions to be taken when handling oil

- * In the event the oil gets in the eye or adheres on skin, immediately wash it off in order to prevent irritation and rash.
- * If swallowed accidentally, immediately seek for medical advice in order to prevent diarrhea and vomiting.
- * Keep the oil away from children.
- * Oil disposal is obliged by legislation. Dispose of the oil properly in compliance with the relevant legislation.

Before you call for help: Troubles and corrective measures

The following problems should not be regarded as the machine trouble. Check the following table before you call for help from us.

Trouble	Cause (reason)	Corrective measures	Page
Fabric does not feed	1. Presser foot pressure is too low .	• Increase the presser foot pressure by turning the feed . presser foot pressure adjusting screw to the right.	15
Needle break	1. Needle is bent, or the needle point is blunt.	• Replace the needles.	15
	2. Needles are incorrectly inserted.	• Insert the needle correctly.	15
	3. The material cloth is excessively stretched.	• Hold the edge of the material cloth lightly with your hand when sewing.	--
Thread breaks	1. The machine is incorrectly threaded.	• Rethread the machine correctly	17 - 29
	2. Thread tension is too high.	• Adjust the thread tension properly.	31, 32
	3. Needle is incorrectly attached.	• Insert the needles correctly.	15
Stitch skips	1. Needle is bent or needle point is blunt.	• Replace the needle.	15
	2. Needle is incorrectly attached.	• Insert the needles correctly.	15
	3. The machine is incorrectly threaded.	• Rethread the machine correctly.	17 - 29
Poor stitches are formed	1. Thread tension is not proper.	• Adjust the thread tension properly.	31, 32
Seams flute or wave, especially when sewing knits	1. Presser foot pressure is too high .	• Reduce presser foot pressure .	15
	2. Differential feed is set incorrectly.	• Adjust differential feed to N-2.	35
Seams pucker	1. Thread tension is too high.	• Set the thread tension adjusting dial to the smaller value.	31, 32
	2. Differential feed is set incorrectly.	• Adjust differential feed to 0 .7-N.	35
Motor trouble	1. The motor makes noise. 2. The motor will not rotate. 3. Unusually large sparks are emitted.	• Dealer should the carbon brush .	--

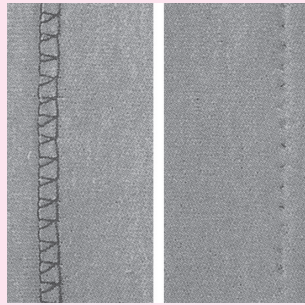
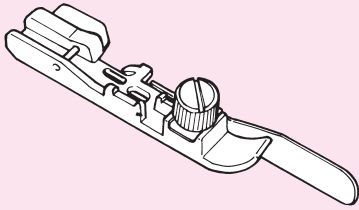
When the trouble is not corrected by the above measures, contact your local dealer.

• Specifications

Item	Specifications
Number of threads	5 threads, 4 threads, 3 threads, 2 threads
Needle	130/705H
Overlocking width	Left-hand needle : 6mm Right-hand needle : 4mm (for roll hemming : 2mm) Chainstitch needle : 10mm
Stitch length (feeding amount)	1 to 4 mm (standard stitch length : 2.5 mm)
Differential feed	No waving or fluting in knits N-2. No puckering 0.7-N
Presser foot lift	5mm
Sewing speed	Max. 1,500 sti/min
Dimensions	315 (W) x 345 (D) x 295 (H) mm
Weight	7.4 kg
Foot control	120VMODEL YC-482 230VMODEL YC-483N 240VMODEL YC-483N

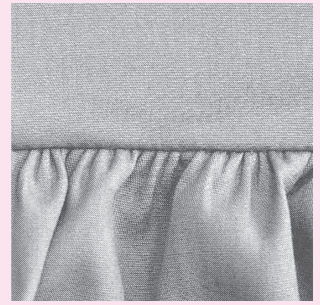
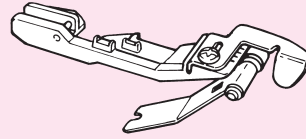
Optional accessories

- Blind stitch presser foot



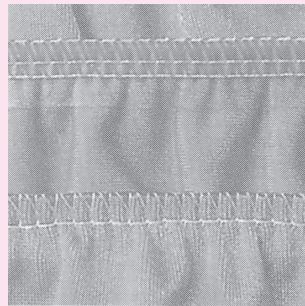
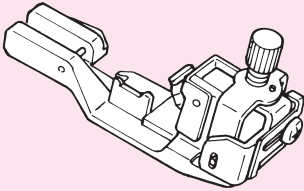
A98106340A0A

- Gathering presser foot



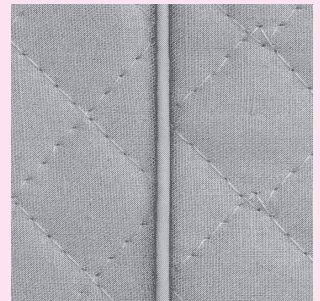
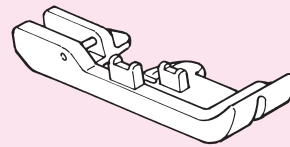
A98606550A0C

- Elasticator



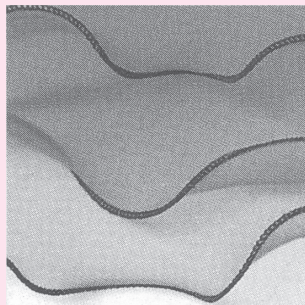
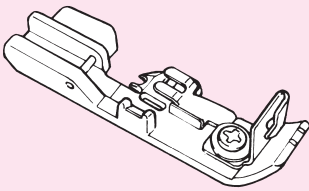
A98156550A0A

- Piping presser foot



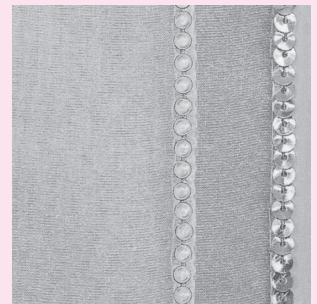
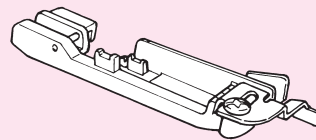
A98656550A0A

- Cording presser foot



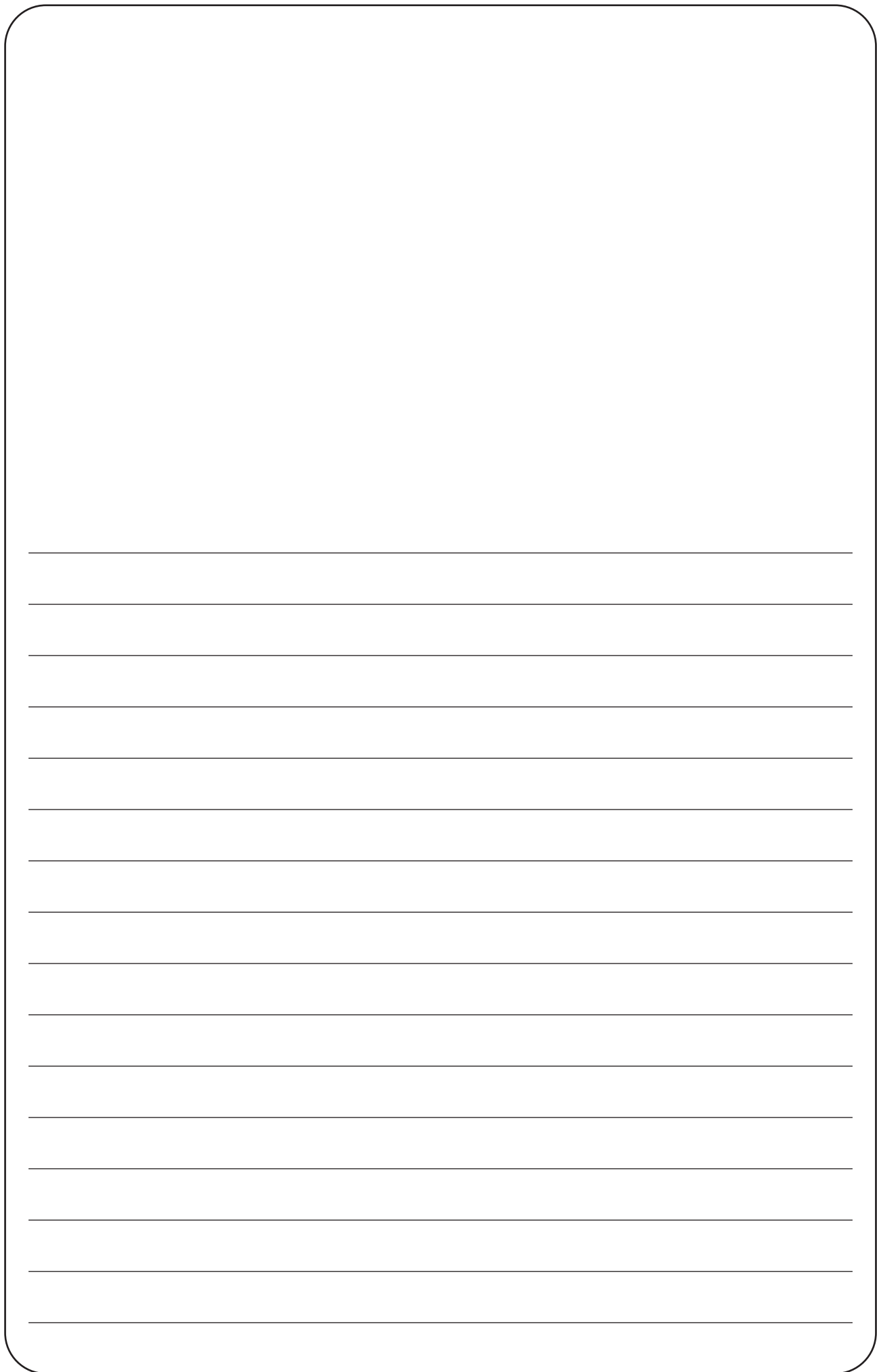
A98206550A0A

- Beading presser foot



A98706340A0

Contact your local dealer.



JUKI[®]

JUKI CORPORATION

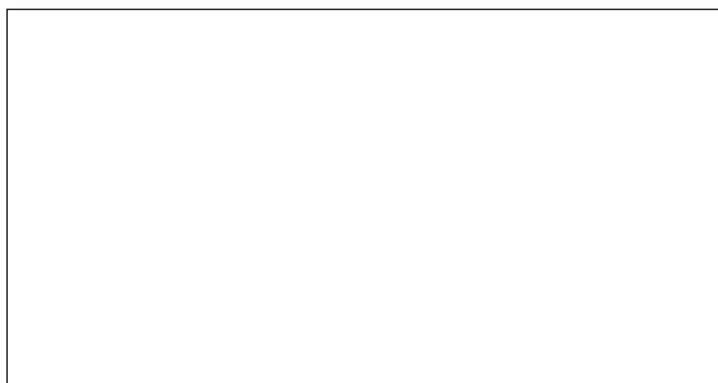
2-11-1, TSURUMAKI, TAMA-SHI,
TOKYO, 206-8551, JAPAN

PHONE : (81)42-357-2341

FAX : (81)42-357-2379

Copyright © 2020 JUKI CORPORATION
All rights reserved throughout the world.

40241297



000727