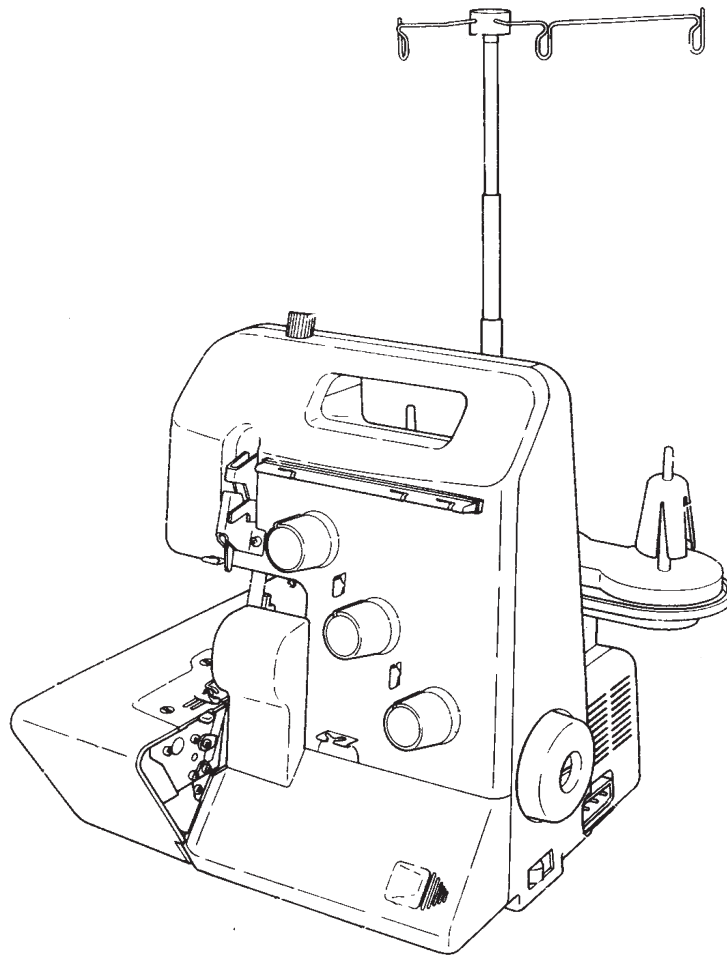


1-Needle, 3-Thread Overlock Sewing Machine

MO-623N

INSTRUCTION MANUAL

EN



IMPORTANT:

Read all safety regulations carefully and understand them before using your sewing machine. Retain this instruction manual for future reference.

“IMPORTANT SAFETY INSTRUCTIONS”

When using an electrical appliance, basic safety precautions should always be followed, including the following: Read all instructions before using this sewing machine.

“DANGER ____ To reduce the risk of electric shock:”


1. The appliance should never be left unattended when plugged in.
2. Always unplug this appliance from the electric outlet immediately after using and before cleaning.
3. Always unplug before re-lamping. Replace bulb with same type rated 10W(220V).

“WARNING ____ To reduce the risk of burns, fire, electric shock, or injury to persons:”

1. Do not use the appliance as a toy. Caution is advised when the appliance is used by children, or near children. This sewing machine can be used by children aged from 8 years and above and persons with reduced physical, sensory or mental capabilities or lack of experience and knowledge if they have been given supervision or instruction concerning use of the sewing machine in a safe way and understand the hazards involved. Children shall not play with the sewing machine. Cleaning and user maintenance shall not be made by children without supervision.
2. Use this appliance only for its intended use as described in this manual. Use only attachments recommended by the manufacturer as contained in this manual.
3. Never operate this appliance if it has a damaged cord or plug, if it is not working properly, if it has been dropped or damaged, or dropped into water. Return the appliance to the nearest authorized dealer or service center for examination, repair, electrical or mechanical adjustment.
4. Never operate the appliance with any air openings blocked. Keep ventilation openings of the sewing machine and foot control free from the accumulation of lint, dust, and loose cloth.
5. Keep fingers away from all moving parts. Special care is required around the sewing machine needle.
6. Always use the proper stitch plate. The wrong plate can cause the needle to break.
7. Do not use bent needles.
8. Do not pull or push fabric while stitching. It may deflect the needle causing it to break.
9. Do not carry out sewing with a marking pin stuck in the material since doing so can cause knife/needle breakage. In addition, do not attempt to cut anything other than fabric and thread with the upper/lower knives.
10. Switch the sewing machine off “O” when making any adjustments in the needle area, such as threading needle, changing needle, threading looper, or changing presser foot and the like.
11. Always unplug the machine from the electrical outlet when removing covers, when covers are opened to thread the loopers, when lubricating or when making any other user servicing adjustments mentioned in the instruction manual.
12. Never drop or insert any object into any opening.
13. Do not use outdoors.
14. Do not operate where aerosol (spray) products are being used or where oxygen is being administered.
15. To disconnect, turn all controls to the off “O” position, then remove plug from outlet.
16. Do not unplug by pulling on cord. To unplug, grasp the plug, not the cord.
17. Basically, the machine should be disconnected from the electricity supply when not in use.
18. If the supply cord is damaged, it must be replaced by the manufacturer, its service agent or similarly qualified persons in order to avoid a hazard.
19. (Except USA/Canada) This machine is provided with double insulation.
Use only identical replacement parts. See instructions for servicing Double-Insulated machine.

“SERVICING DOUBLE-INSULATED PRODUCTS (Except USA / Canada)”

In a double-insulated product, two systems of insulation are provided instead of grounding. No grounding means is provided on a double-insulated product nor should a means for grounding be added to the product. Servicing a double-insulated product requires extreme care and knowledge of the system and should only be done by qualified service personnel. Replacement parts for a double-insulated product must be identical to those parts in the product. A double-insulated product is marked with the words DOUBLE INSULATION or DOUBLE INSULATED.

The symbol  may also be marked on the product.

“SAVE THESE INSTRUCTIONS”

“This overlock sewing machine is intended for household use only.”

Congratulations on your purchase of a JUKI sewing machine.



Please be sure to read safety precautions in “To use the sewing machine safely” in the Instruction Manual before use to fully understand the functions and operating procedures of the sewing machine so as to use the sewing machine for a long time.

After you have read the Instruction Manual, please be sure to keep it together with the warranty so that you can read it whenever necessary.











To use the sewing machine safely

Marks and pictographs included in the Instruction Manual and shown on the sewing machine are used so as to ensure safe operation of the sewing machine and to prevent possible risk of injury to the user and other people.

Warning marks are used for different purposes as described below.

 WARNING	Indicates that there is a possible risk of death or serious injury if this mark is ignored and the sewing machine is used in a wrong manner.
 CAUTION	Indicates the operation, etc. which can cause a possible risk of personal injury and/or physical damage if this mark is ignored and the sewing machine is used in a wrong manner.

Pictographs mean the following:

	Danger warning which is not specified		There is a risk of electrical shock		There is a risk of fire		There is a risk of injury to hands, etc.
	Prohibited matter which is not specified		Disassembly/alteration is prohibited		Do not place fingers under the needle		Do not pour oil, etc.
	Generally required behavior		Disconnect the power plug				

! WARNING

For the combination of the material and the thread and needle, in particular, refer to the explanation table in “Replacement of the needle”.

If the needle or thread does not match the material used such as in the case that an extra heavy-weight material (e.g., denim) is sewn with a thin needle (#11 or higher), the needle can break resulting in an unexpected personal injury.

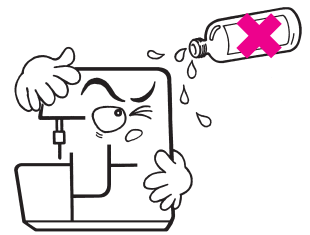
Other precautions

- Do not put the sewing machine under the direct sunlight or in a humid place.



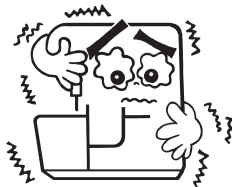
- Do not wipe the sewing machine with solvent such as thinner.

When the sewing machine is soiled, put a small quantity of neutral detergent on a piece of soft cloth and carefully wipe off the sewing machine with it.



Be aware that the following state can take place since the sewing machine incorporates semi-conductor electronic parts and precise electronic circuits.

- Be sure to use the sewing machine in the temperature range from 5°C to 40°C. If the temperature is excessively low, the machine can fail to operate normally.



* The operating temperature of the sewing machine is between 5°C and 40°C. Do not use the sewing machine under the direct sunlight, near the burning things such as a stove and candle, or in a humid place. By so doing, the temperature in the interior portion of the sewing machine can rise or the coating of the power cord can melt, causing fire or electrical shock.

LED light

- Rated Voltage: 9V
- Maximum power consumption: 1.3W

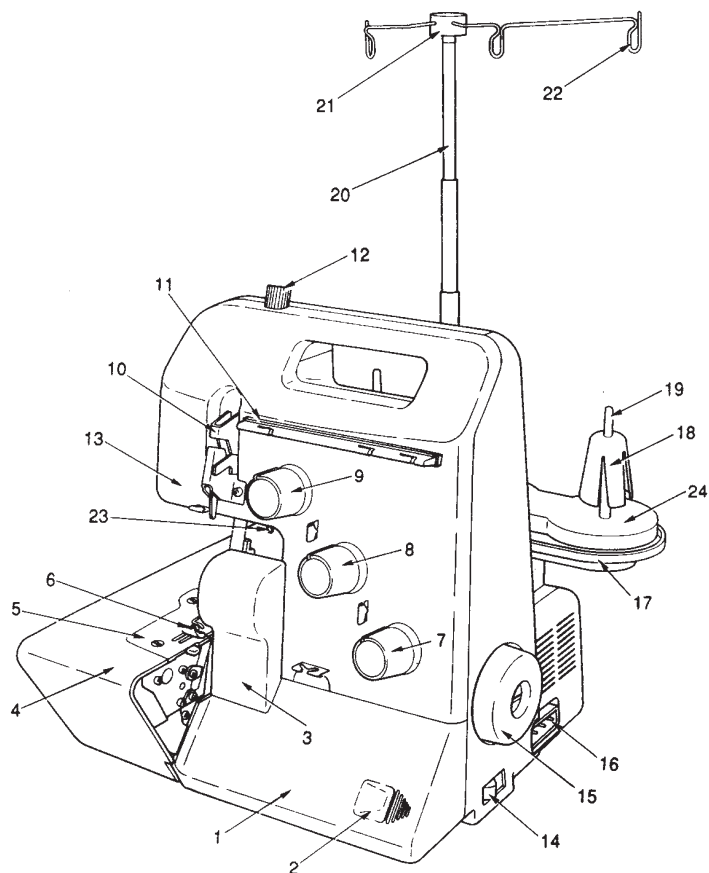
Contents

Safety instructions	1-3
Contents	4
Details of the machine	5-6
• Accessories	6
Assembling thread stand	7
Preparing the machine	8
Operation and function	9-13
Threading	14-17
Trial sewing	18
Adjusting the thread tension	19
Sewing in tape	20
Roll hemming	21-22
Thread breakage during sewing	23
Securing seams	24
Maintenance	25
Trouble shooting guide	26
Specifications	27
Optional accessories	28

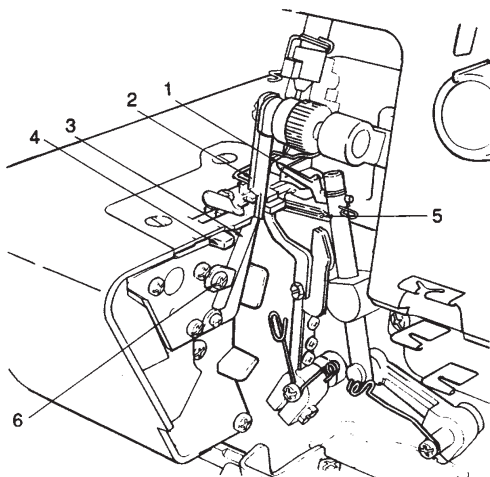
Details of the machine

Details of the machine

1. Looper cover
2. Looper cover opening handle
3. Chip guard cover
4. Cloth plate
5. Throat plate
6. Presser foot
7. Lower looper thread tension dial
8. Upper looper thread tension dial
9. Needle thread tension dial
10. Thread take-up cover
11. Thread guide plate
12. Presser foot adjusting screw
13. LED light
14. Power/light switch
15. Handwheel (pulley)
16. Machine socket
17. Spool holder
18. Anti-vibration cone
19. Spool holder pin
20. Retractable support rod
21. Thread guide
22. Open thread guide
23. Presser foot lifter
24. Urethane sheets



View with looper cover open



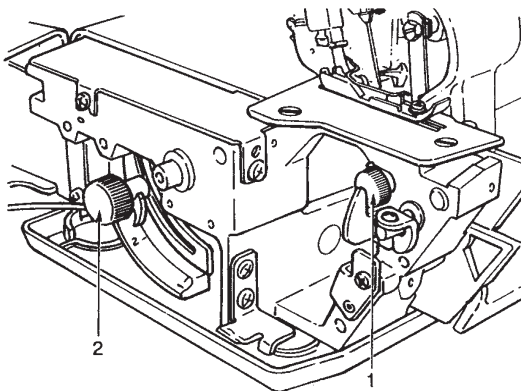
CAUTION :

Be sure to turn off the power switch before opening the looper cover.

1. Upper looper
2. Upper knife
3. Lower knife
4. Overlock width selection knob
5. Lower looper
6. Lower knife setscrew

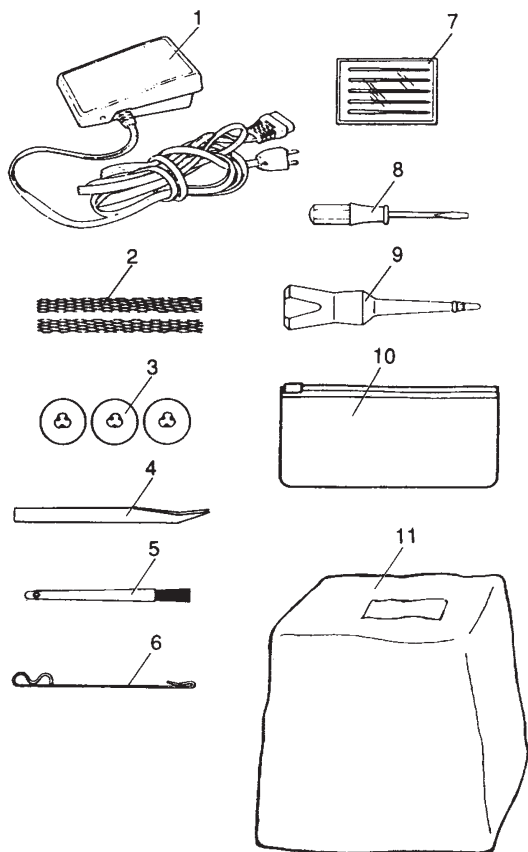
Details of the machine

View with cloth plate open



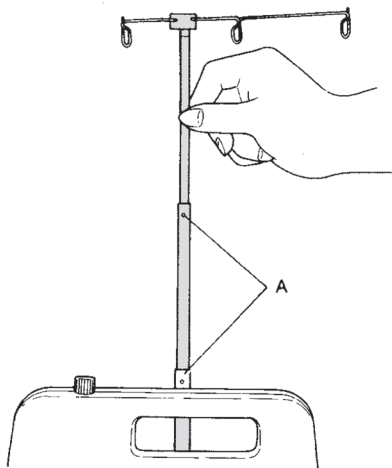
1. Lower knife adjusting knob
2. Stitch length adjusting knob

Accessories



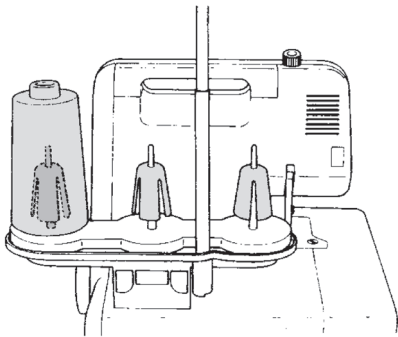
1. Foot controller
2. Nets
3. Spool caps
4. Tweezers
5. Cleaning brush
6. Looper threader
7. Needles in the needle box
8. Small screwdriver
9. Oiler
10. Accessory bag
11. Dust cover

Assembling thread stand



Raise the support rod fully.

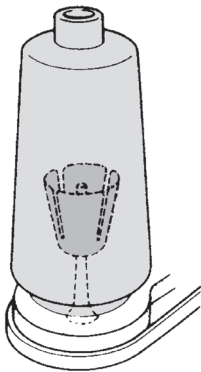
Turn the thread stand until it engages the positioning stopper (A) with a click.



For overlock spools

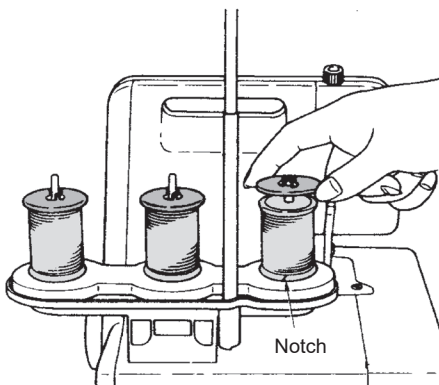
For large spools

If large industrial spools are used, position the anti-vibration cone upside down on the spool holder pin, i.e. with the wider edge at the top.

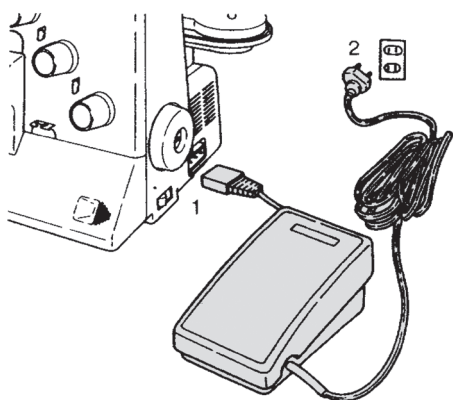


For small house-use spools

When using house-use spools, remove the anti-vibration cones. Place a spool on the spool holder with its notch downward and push the spool caps on with the rounded outside edge at the bottom.



Preparing the machine

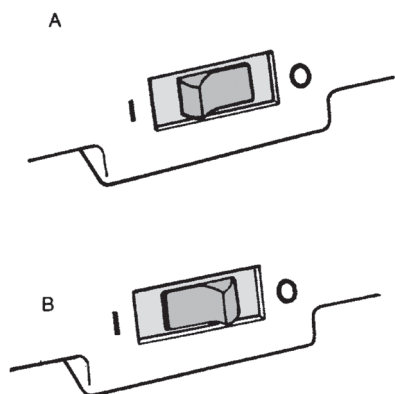
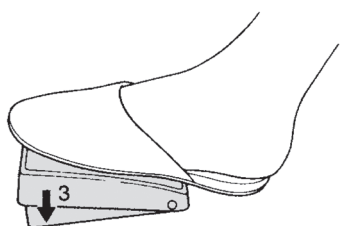


Attaching the foot controller

1. Plug foot controller into machine socket.
2. Plug foot controller into power supply socket.
3. Lay your foot on the foot controller.
Step on the foot controller strongly (deeply), and the sewing speed increases.
Step on the foot controller lightly (shallowly), and the sewing speed decreases.

⚠ CAUTION :

Be sure to turn OFF the power switch before plugging/unplugging the controller.



On/Off of the power/light switch

The power/light switch is conveniently placed on the handwheel side of the machine in front of the socket.

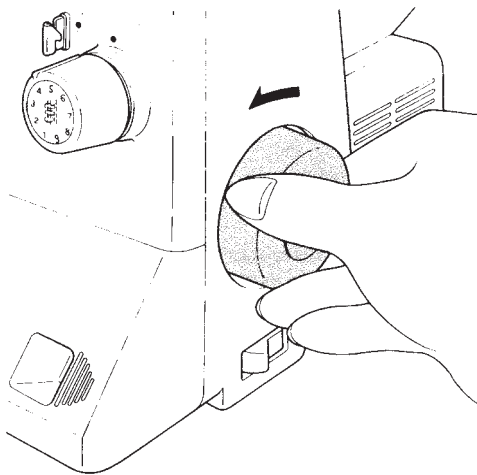
- Off (A)
- On with light (B)

⚠ CAUTION :

Perform these following steps when you are not using your sewing machine:

1. Be sure to turn OFF the power switch.
2. Be sure to remove the power plug from the wall outlet.
3. Do not place a thing on the foot controller.

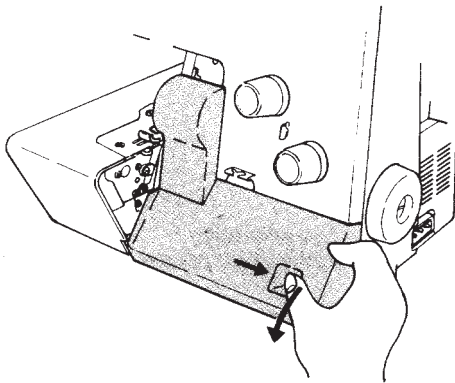
Operation and function



Handwheel (Pulley)

The handwheel turns toward you.

- Upon completion of threading, at sewing start or sewing end, be sure to turn the handwheel toward you.



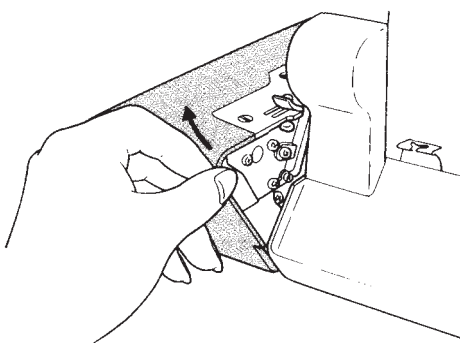
Opening and closing the looper cover

Opening : To open the looper cover, pull the looper cover opening handle to the right, and tilt the looper cover toward you.

Closing : To close the looper cover, push up the looper cover, press it lightly to the right. The looper cover closes automatically.

CAUTION :

Moving parts - To reduce risk of injury, switch machine off ("O") before servicing and when opening looper cover, cloth plate, close before using.

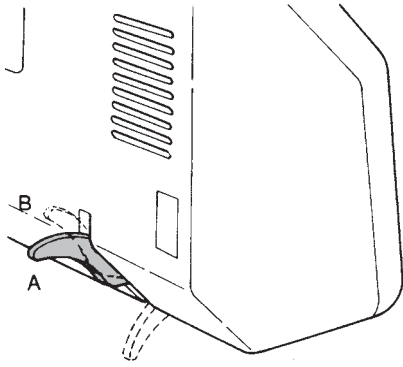


Opening and closing the cloth plate

Opening : Press the cloth plate toward outside.

Closing : Push the cloth plate toward the sewing machine.

Operation and function

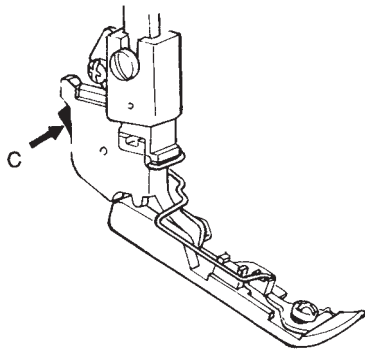


Presser foot lifter (To raise the presser foot by the presser foot lifter)

- A : For regular sewing operation (sewing a medium-weight material), raise the presser foot to position (A) illustrated in the figure.
- B : When you sew a heavy-weight material, raise the presser foot to position (B) illustrated in the figure, to provide more space between presser foot and throat plate.

⚠ WARNING :

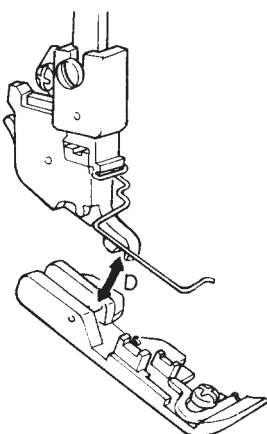
When using the extra lift (B), do not run the machine or turn the handwheel.



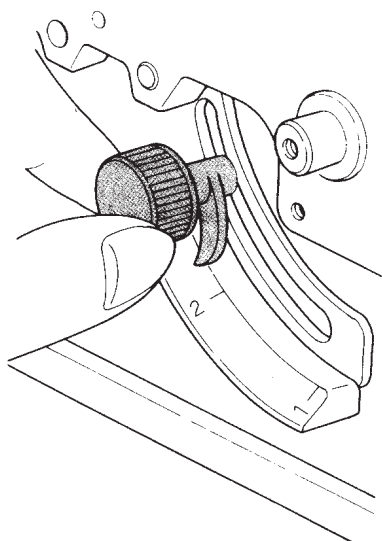
Changing the presser foot

⚠ Switch the machine off (power switch "O")

1. Raise the presser foot.
2. Turn the handwheel until the needle is fully raised.
3. Press point (C) illustrated in the figure, and the presser foot will be released.
4. To release the presser foot, raise the presser foot lifting lever to its highest position (B). Then you can release the presser foot easily.
5. To attach the presser foot, place it so that the presser foot pin (D) comes exactly under the groove in the holder. Lower the presser foot lifting lever and the presser foot will engage automatically.



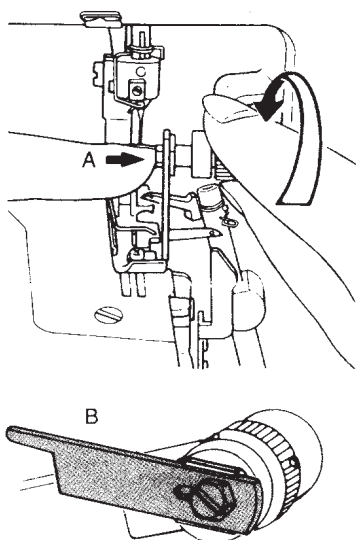
Operation and function



Stitch length adjusting knob (to adjust the stitch length)

Stitch length is adjustable within the range from 1 to 4 while sewing. To adjust the stitch length, turn the stitch length adjusting knob and move the knob upwards or downwards.

- For normal overlocking stitches set the stitch length adjusting knob at 2 to 3.

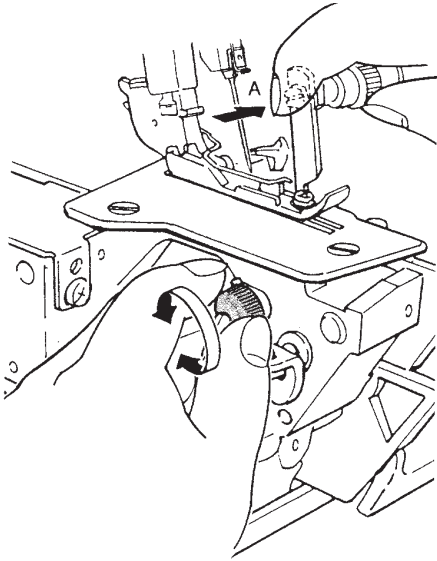


Releasing the upper knife

 **Switch the machine off (power switch "O")**

1. Turn the handwheel until the upper knife is fully raised. Open the looper cover.
2. Press the part indicated as (A) in the figure toward the right until it will go no further.
3. Keep pressing (A) and turn the knob on the right side in the direction of the arrow.
4. Turn the knob until the knife reaches position (B) .

Operation and function



Lower knife adjusting knob (adjusting the lower knife position for cutting width)

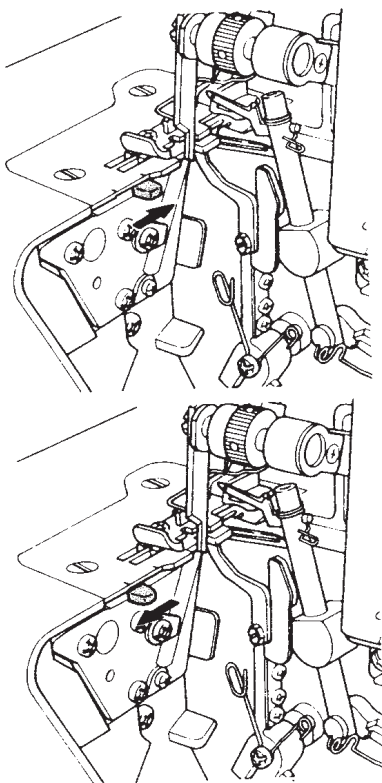


Switch the machine off (power switch "O")

Turn the lower knife adjusting knob by pressing part (A) in the figure.

Reduce cutting width (knife moves to the left) if the edges of fabrics curl up

Increase the cutting width (knife moves to the right) if the loops are too loose



Overlocking width selection knob (For overlocking or roll hemming)

Turn the handwheel until the needles are fully raised

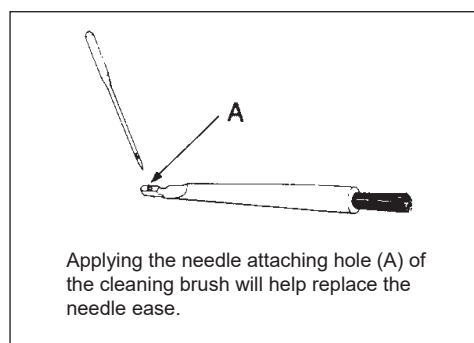
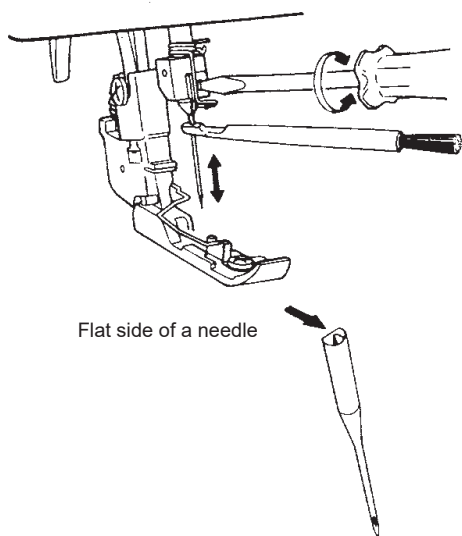
For overlocking

Push the overlocking width selection knob back so that it aligns with the rear red marking on the throat plate.

For roll hemming

1. Pull the overlocking width selection knob forward so that it aligns with the front red marking on the throat plate.
2. Set the lower knife adjusting knob at "1 ~ 2".

Operation and function



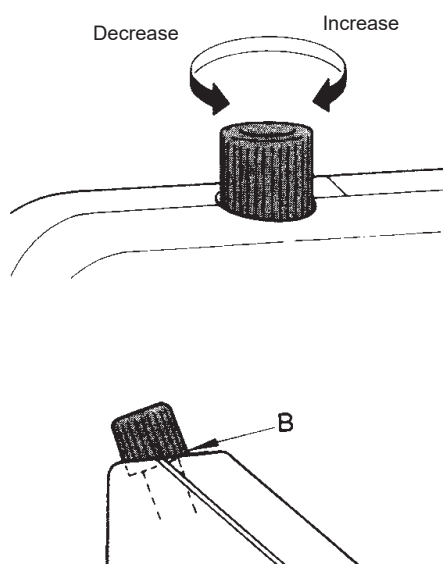
Changing the needle

⚠ Switch the machine off (power switch "O")

1. Turn the handwheel until the needle is fully raised.
2. Before changing the needle, lower or remove the presser foot.
3. Using a small screwdriver, loosen the needle setscrew and remove the needle.
4. Insert the needle with the flat side away from you into the needle clamp, making sure it is inserted as far up as possible. Tighten the needle clamp setscrew securely.

	Types of needle	Thickness
Needle used:	130/705H	No. 75/11 or 90/14

* When you buy the needles for the sewing machine, select the above type of the needles.



Presser foot pressure adjusting screw

Pressure of the presser foot has been factory-adjusted properly. Therefore you do not need to adjust it except when sewing a special material.

- To increase the pressure of : For heavy-weight materials such as denim, tweed, or hard linen
 - To decrease the pressure : For light-weight materials such as georgette, lawn, or tricot
- (B): The place where the lower part of control cap aligns with the upper face of cover.

Threading

Thread the machine carefully in the correct sequence.

This is important for making beautiful seams.

Preparation

1. Retractable support rod with thread guide must be fully raised.
2. Open the looper cover and cloth plate.
3. Turn the handwheel toward you until the needles are fully raised.
4. Release the upper knife.

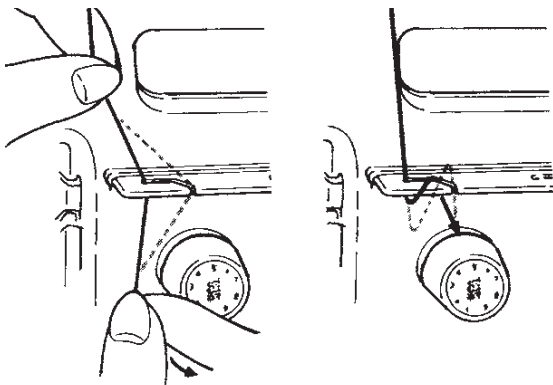
Threading sequence

Colored threading illustrations affixed clearly show the threading sequence.

Thread the machine in the following sequence:

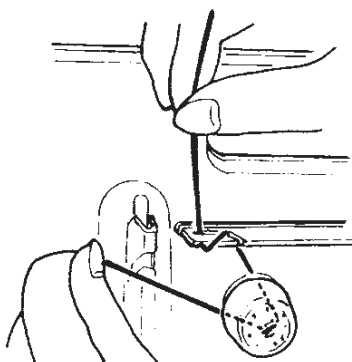
- | |
|---|
| <ol style="list-style-type: none">1. Upper looper thread (Blue)2. Lower looper thread (Red)3. Needle thread (Green) |
|---|

Threading aids such as tweezers, needle threader, and looper threader which are provided as accessories will be very useful in threading work.



Thread guide plate

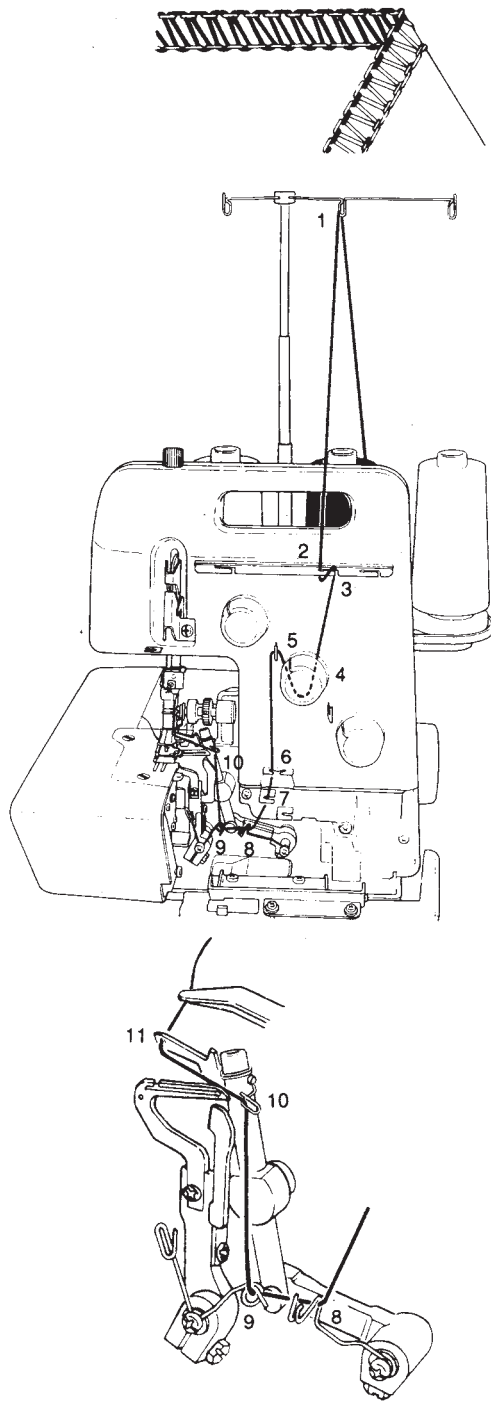
Slide thread into the two slits to form an S-loop.



Threading the tension dials

To lay the thread correctly between the tension discs, pull the thread lightly with both hands.

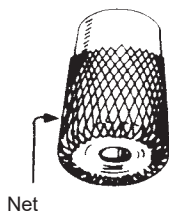
Threading (1)



1. Upper looper thread (Blue)

Place the spool on the spool holder pin right under blue marking on the retractable support rod thread guide.

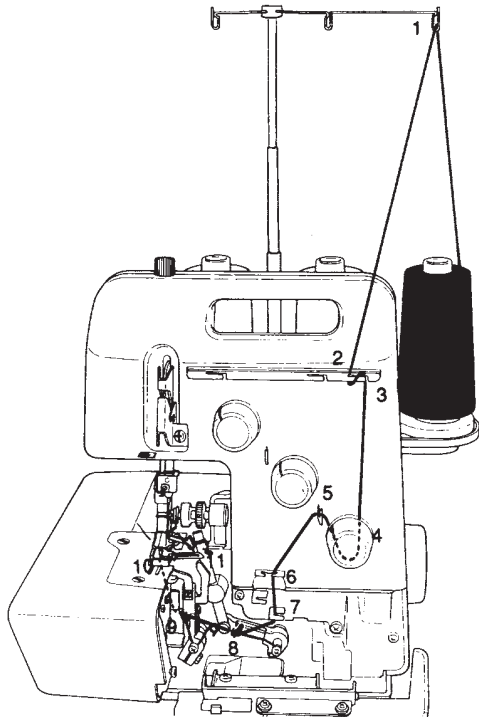
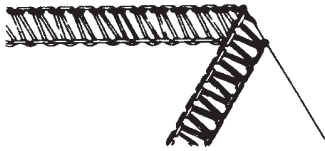
- (1) Bring thread up to the retractable support rod thread guide.
- (2,3) Pass the thread through the thread guide plate.
- (4) Lay the thread between the thread tension dial discs.
- (5,6,7,8,9,10) Thread the thread guides.
- (11) Turn the handwheel until the upper looper is fully raised.
Thread upper looper eye.
- (12) Pull about 10 cm of the thread out.
Place the thread under the presser foot, and pull the thread from behind the presser foot.



Use a net for a hard twisted thread.

When a thread coils around the thread guide due to its hard twist, cover the spools of upper looper and lower looper with attached nets.

Threading (2)



2. Lower looper thread (Red)

Place the spool on the spool holder pin right under red marking on the retractable support rod thread guide.

- (1) Bring the thread up to the retractable support rod thread guide.
- (2,3) Pass the thread through the thread guide plate.
- (4) Thread the thread tension dial.
- (5,6,7,8,9) Thread the thread guides.

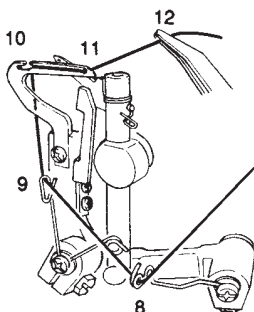
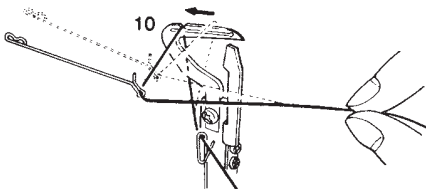
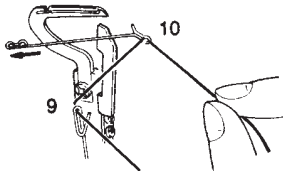
(10) Using the looper threader, pass the thread from the right through to the left of the sewing machine. Turn the handwheel toward you until the lower looper is in the left-most position. Insert the thread into the slit on the lower looper.

(11) Using the looper threader, pull the thread through to the right side again.

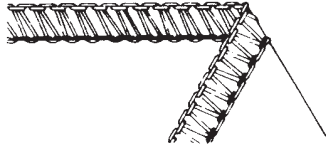
Turn the handwheel toward you until the lower looper is in the right-most position, and thread the looper eye. Pull the thread up until it lies in the long groove on the lower looper.

(12) Pull about 10 cm of the thread out through the upper looper. Raise the presser foot, place the thread under it and then lower the presser foot.

If the lower looper thread is broken or slipped, cut the right-hand needle thread off at the needle. Then remove the thread. Thread the looper and then the needle.



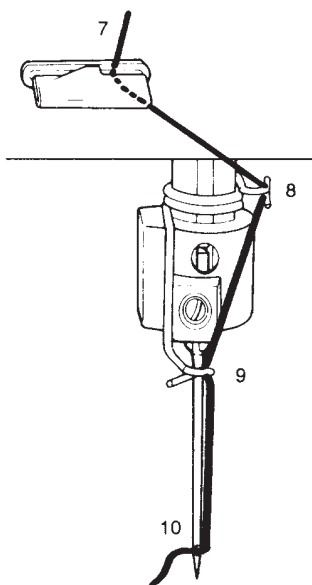
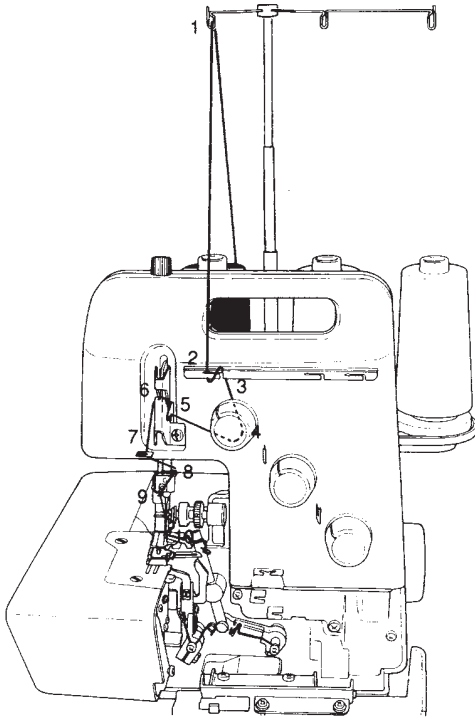
Threading (3)



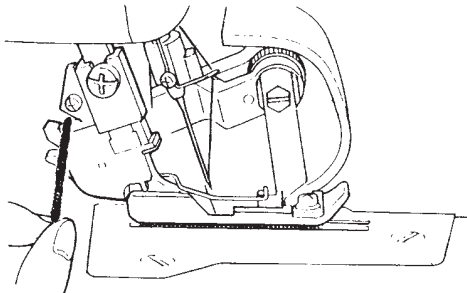
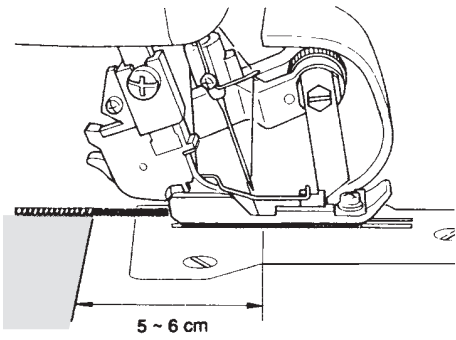
3. Needle thread (Green)

Place the spool on the spool holder pin right under the green marking on the retractable support rod thread guide.

- (1) Bring the thread up from the spool to the thread guide the green thread guide.
- (2,3) Thread the thread guide plate.
- (4) Thread the thread tension dial.
- (5) Thread the thread guide.
- (6) Lay the thread in the notch on the thread take-up lever.
- (7) Thread the thread guide.
- (8,9) Thread the needle thread guides.
- (10) Thread the needle. Pull about 10 cm of the thread out from the needle eye. When threading is completed, lower the upper knife and close the looper cover and cloth plate.



Trial sewing

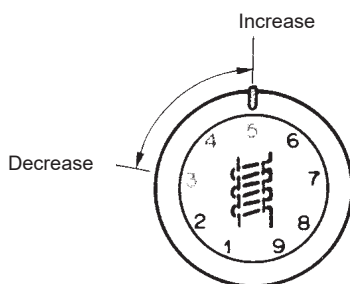
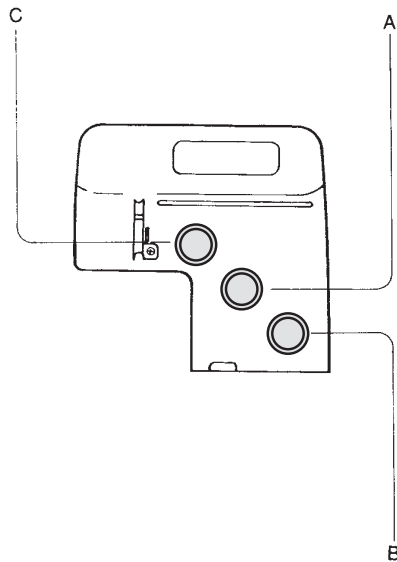


After threading, make a trial sewing.

Be sure to use a double layer of fabric in order to check whether the seam and thread tension are adequate.

1. Set all of the thread tension dials at "4".
2. Make sure that the upper knife is lowered (in the cutting position).
3. Raise the presser foot.
4. Place the fabric under the presser foot.
5. Lower the presser foot and sew.
6. At the end of the seam, continue sewing to form a 5 to 6 cm long thread chain.
7. Holding the fabric with one hand, pull the thread chain over the thread cutter on the presser foot shank.
 - Thread tension dial should be properly adjusted according to the types of fabrics and threads to be used.

Thread tension dial



Adjusting the thread tension

Imperfect stitch formation can be corrected by adjusting the set value (1 to 9) on the thread tension dial.

	Types of needle	Standard of the thread tensioner dial
A	Upper looper thread tension adjusting dial	3 - 5
B	Lower looper thread tension adjusting dial	3 - 5
C	Needle thread tension adjusting dial	3 - 5

Turning to the right increases the thread tension.

Turning to the left decreases the thread tension.

When using filament thread or woolly nylon thread, adjust the thread tension accordingly.

Adjusting the thread tension

Adjusting the thread tension

Turn the thread tension dial in the direction of the arrow, and make a trial sewing.

A - If the upper looper threads meet on the underside of the fabric:

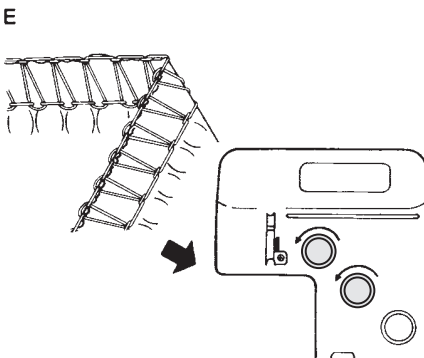
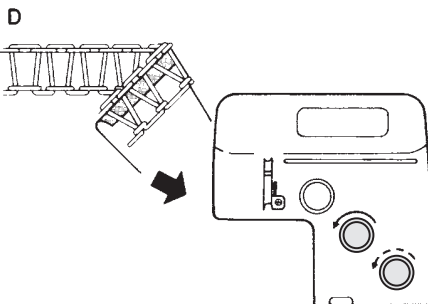
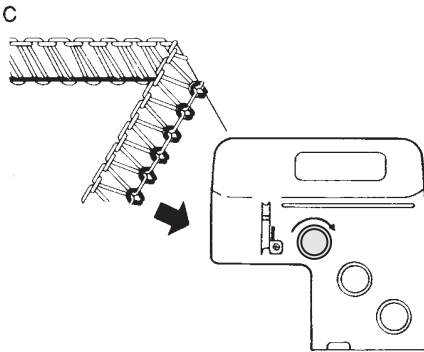
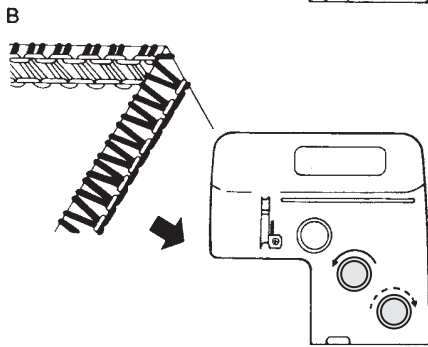
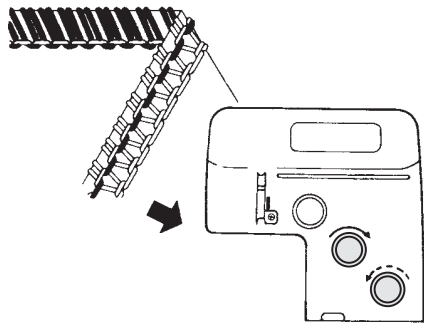
B - If the lower looper thread meet on the upper side of the fabric:

C - If the overlock needle thread forms loops on the underside of the fabric:

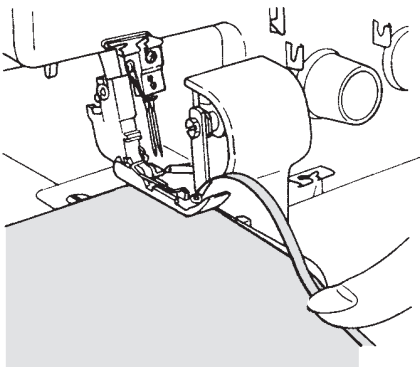
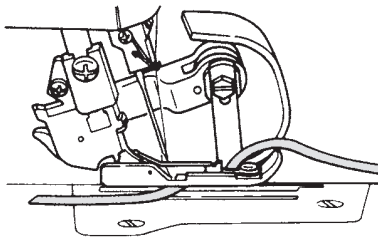
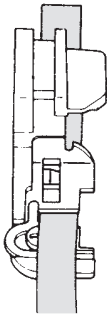
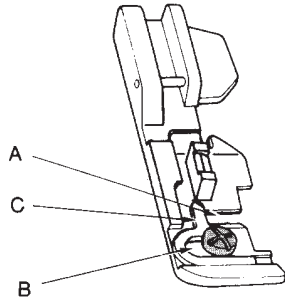
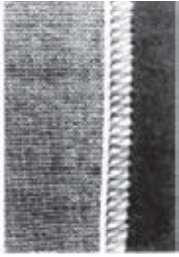
D - The edge of the fabric curls when both upper looper and lower looper thread tension is too high:

- Adjustment can be made by setting the lower knife adjusting knob to the smaller value on the scale.

E - If the fabric puckers during sewing:



Sewing in tape



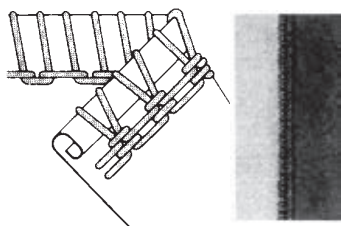
Sewing In tape

The standard presser foot is equipped with a tape guide. When sewing shoulders or side seams of stretchy fabrics as a knitted fabric, a tape works effectively to prevent undesirable stretch of the fabric.

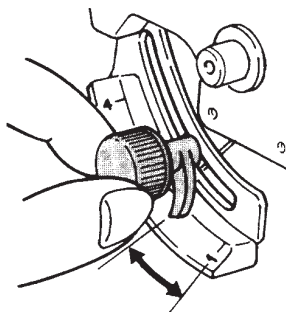
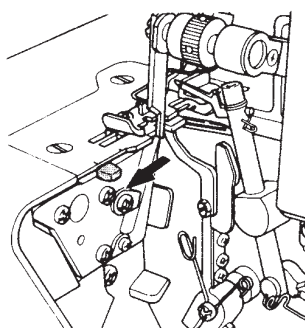
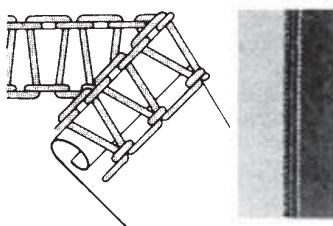
1. Turn the handwheel toward you until the needles are fully raised.
2. Raise the presser foot, place the tape in the groove (A) on the presser foot, and lower the presser foot.
3. Loosen the guide adjusting screw (B) to fit the tape guide (C) to the tape width, then tighten the screw.
4. Turn the handwheel manually to make two or three stitches in the tape.
5. Place the fabric to be sewn under the presser foot.
6. Sew, guiding the tape lightly.

Roll hemming

A



B



Roll hemmer

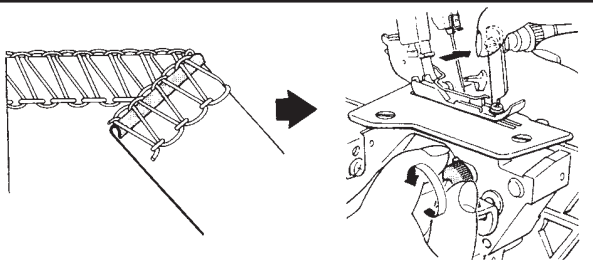
The roll hemmer is built-in to the sewing machine. The fabric edge is automatically rolled and oversewn. The result is a very fine and narrow edge finishing.

- Turn the overlocking width selection knob toward you to align with the red marking in front of the throat plate.
- Set the stitch length adjusting knob (stitch length) at "1 ~ 1.5".

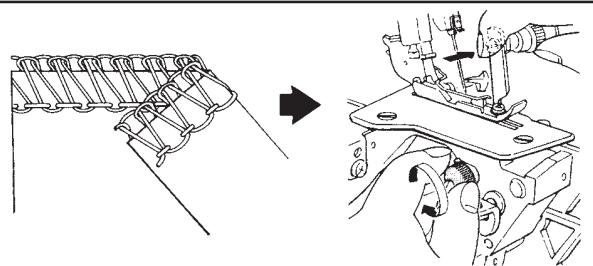
A - For roll hemming, pull the selection lever back to the red marking on the stitch plate furthest from the presser foot

B - For overlocking, push the selection lever forwards to the red marking on the stitch plate nearest the presser foot

A



B



Cutting width



Switch the machine off (power switch "O")

- Open the cloth plate. Raise presser foot.
- Turn the lower knife adjusting knob by pressing part in the figure.
- Close cloth plate cover and lower presser foot.







Reduce cutting width (knife moves to the left) if the edges of fabrics curl up (A).

Increase the cutting width (knife moves to the right) if the loops are too loose (B).

Roll hemming

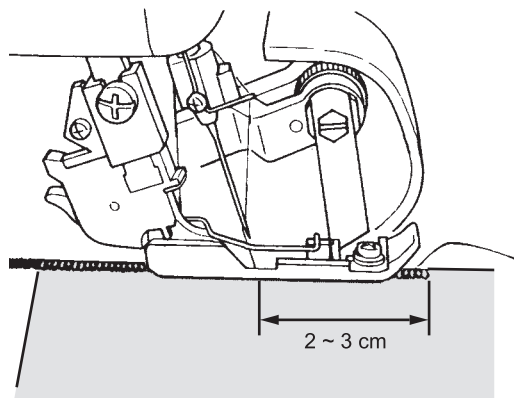
Standard thread tension list for roll hemming (rolled hem, narrow overlock stitch)

1. Thread tension slightly differs depending on the types of the fabric and thread
2. Use the woolly nylon thread or thinner thread for roll hemming to attain the beautiful finish.
3. Use the thin spun thread thinner than #80.
4. Woolly nylon thread can be used only for the upper looper.

Thread tension dial value	For rolled hem			For narrow overlock stitch		
	Needle thread	Upper looper	Lower looper	Needle thread	Upper looper	Lower looper
Thread to be used						
Spun thread #80	4 - 6	3 - 5	7 - 9	4 - 6	5 - 7	4 - 6
Filament thread #80	3 - 5	3 - 5	6 - 8	3 - 5	3 - 5	3 - 5
Woolly nylon thread		3 - 5			3 - 5	

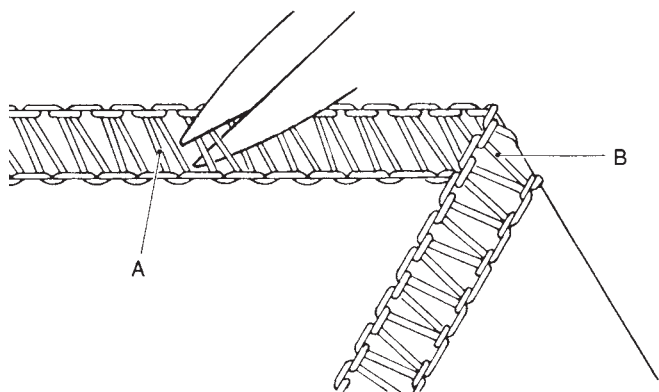
Note : The red line on the stitch plate indicates the basic knife position. If the lower knife comes in contact with the throat plate after you have decreased the cutting width, do not turn the lower knife adjusting knob any further.

Thread breakage during sewing



Thread breakage during sewing

1. Turn the workpiece at a right angle direction and stop sewing immediately. Then remove the workpiece.
2. Rethread.
 - * If the lower looper thread is broken, cut the both needle threads off at the needle. Then remove the threads. Thread the lower looper and then the needles.
 - * If the upper looper thread is broken, remove the looper to lowest position. Then thread the looper thread. Bring the thread through under the presser foot and pull about 10 cm of the thread out behind the presser foot.
3. Raise the presser foot, and place the workpiece under the presser foot. Sew about 2 to 3 cm over the seam which has already been sewn before the thread breakage.



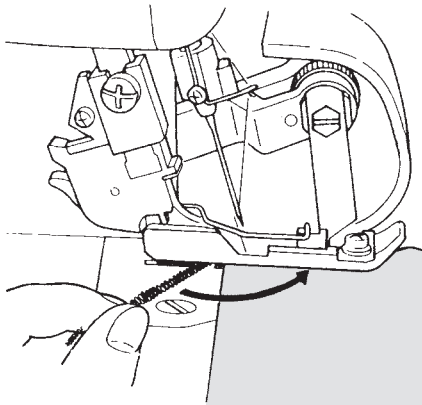
Unpicking seams

Unpicking the seams of the 3-thread overlock

Cut the thread at (A) with scissors and pull needle thread (8).

The stitches will come undone.

Securing seams



Securing seams

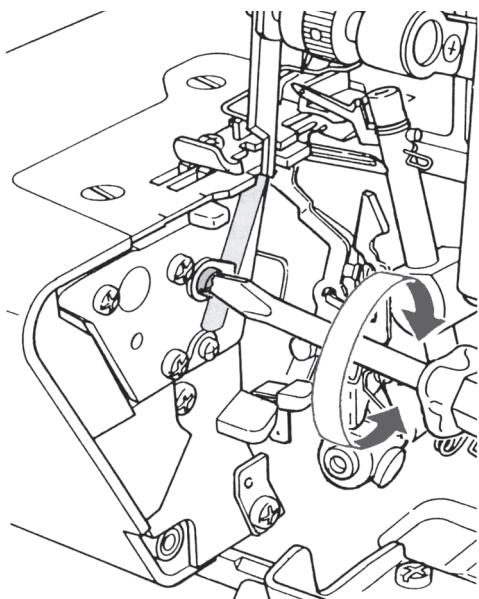
1. Sew about 3 to 4 cm of the thread chain at the beginning of seams.
2. Sew 2 to 3 stitches on the fabric.
3. Lower the needle and raise the presser foot.
4. Stretch the thread chain and lay it between the presser foot and the fabric from the left.
5. Lower the presser foot and sew over the thread chain.

If you do not sew over the thread chain, be sure to leave enough thread chain at the beginning and end of a seam so that it can be knotted or pulled through the stitches with a darning needle.

* When seams cross over one another, the thread chain is automatically closed.

Maintenance

Replacing the knives



! WARNING :

Please refer to the safety instructions.

Changing the upper knife

The upper knife (moving knife) is made from special hardened material.

Replace the upper knife only when the knife blade tip is damaged.

For a replacement, contact your local dealer.

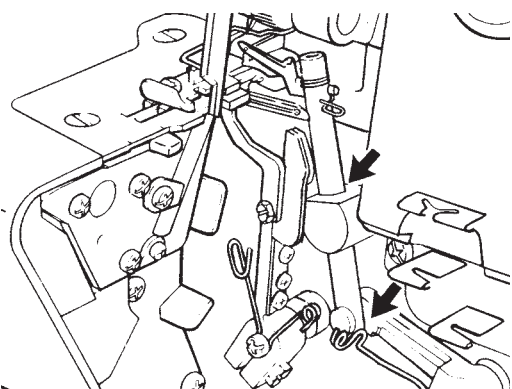
Changing the lower knife

! Main switch off "O". Disconnect machine from electricity supply.

Turn handwheel towards you until needles are fully raised. Match the matching up marks on hand wheel and side cover. Raise the upper knife.

Loosen the setscrew on the lower knife retaining plate. Remove the lower knife.

Fit the replacement knife (from accessory bag) in the groove so that the sharp edge is in line with the stitch plate. Re-tighten the set-screw.



Cleaning and lubricating

! Main switch off "O". Disconnect machine from electricity supply.

During sewing, dust and fluff collect in and on the machine. This should be removed regularly. Your overlock machine requires very little lubrication. Now and then, lubricate only the points illustrated.

Please refer to safety instructions.

! Precautions to be taken when handling oil

- * In the event the oil gets in the eye or adheres on skin, immediately wash it off in order to prevent irritation and rash.
- * If swallowed accidentally, immediately seek for medical advice in order to prevent diarrhea and vomiting.
- * Keep the oil away from children.
- * Oil disposal is obliged by legislation. Dispose of the oil properly in compliance with the relevant legislation.

Trouble shooting guide

The following problems should not be regarded as the machine trouble. Check the following table before you call for help from us.

Trouble	Cause (reason)	Corrective measures	Page
Fabric does not feed	1.Presser foot pressure is too low.	<ul style="list-style-type: none"> • Increase the presser foot pressure by turning the presser foot pressure adjusting screw to the right. 	13
Needle break	1.Needle is bent, or the needle point is blunt.	<ul style="list-style-type: none"> • Replace the needles. 	13
	2.Needle is incorrectly attached.	<ul style="list-style-type: none"> • Attach the needle correctly. 	13
	3.The material cloth is excessively stretched.	<ul style="list-style-type: none"> • Hold the edge of the material cloth lightly with your hand when sewing. 	--
Thread breaks	1.The machine is incorrectly threaded.	<ul style="list-style-type: none"> • Rethread the machine correctly 	14 - 17
	2.Thread tension is too high.	<ul style="list-style-type: none"> • Adjust the thread tension properly. 	18, 19
	3.Needle is incorrectly attached.	<ul style="list-style-type: none"> • Attach the needle correctly. 	13
Stitch skips	1.Needle is bent or needle point is blunt.	<ul style="list-style-type: none"> • Replace the needle. 	13
	2.Needle is incorrectly attached.	<ul style="list-style-type: none"> • Attach the needle correctly. 	13
	3.The machine is incorrectly threaded.	<ul style="list-style-type: none"> • Rethread the machine correctly. 	14 - 17
Poor stitches are formed	1.Thread tension is not proper.	<ul style="list-style-type: none"> • Adjust the thread tension properly. 	18, 19
Seams pucker	1.Thread tension is too high.	<ul style="list-style-type: none"> • Set the thread tension adjusting dial to the smaller value. 	18, 19
	2.The machine is threaded incorrectly, or threads are caught in the points other than the normal thread path.	<ul style="list-style-type: none"> • Rethread the thread correctly. 	14 - 18
Motor trouble	1.The motor makes noise.	<ul style="list-style-type: none"> • Replace the carbon brush. 	--
	2.The motor will not rotate.		
	3.Unusually large sparks are emitted.		

When the trouble is not corrected by the above measures, contact your local dealer.

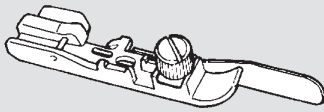
Specifications

• Specifications

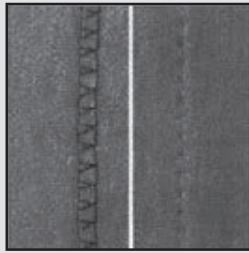
Item	Specifications
Number of threads	3 threads
Needle	1301705H
Overlocking width	Standard 4.0 mm (for roll hemming: 2 mm)
Stitch length (feeding amount)	1 to 4 mm (standard stitch length: 2.5 mm)
Presser foot lift	5mm
Sewing speed	Max. 1,500 sti/min
Dimensions	270 (W) x 260 (D) x 295 (H) mm
Weight	6.8 Kg
Foot Control model Nr.	YC-483N (220 - 240V)

Optional accessories

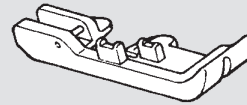
- Blind stitch presser foot



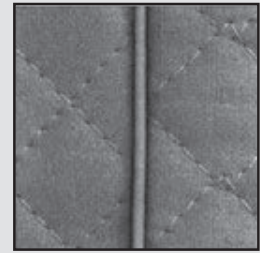
A9810 634 0A0A



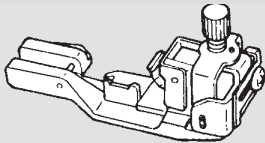
- Piping presser foot



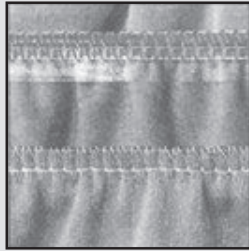
A9865 655 0A0A



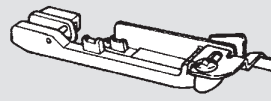
- Elasticator



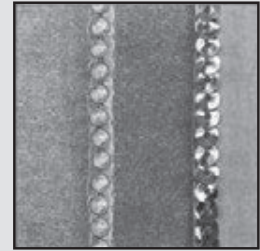
A9815 655 0A0A



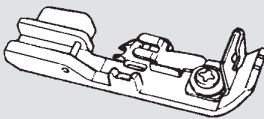
- Beading presser foot



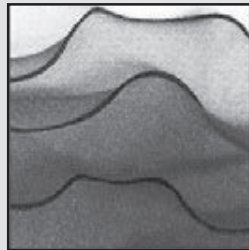
A9870 634 0A0A



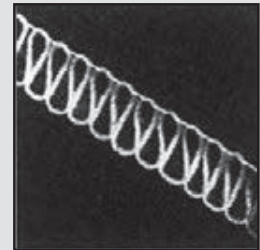
- Cording presser foot



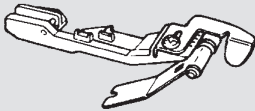
A9820 655 0A0A



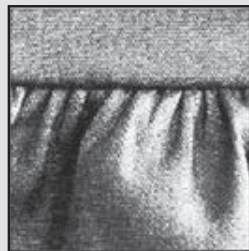
- 2/3 Thread Converter



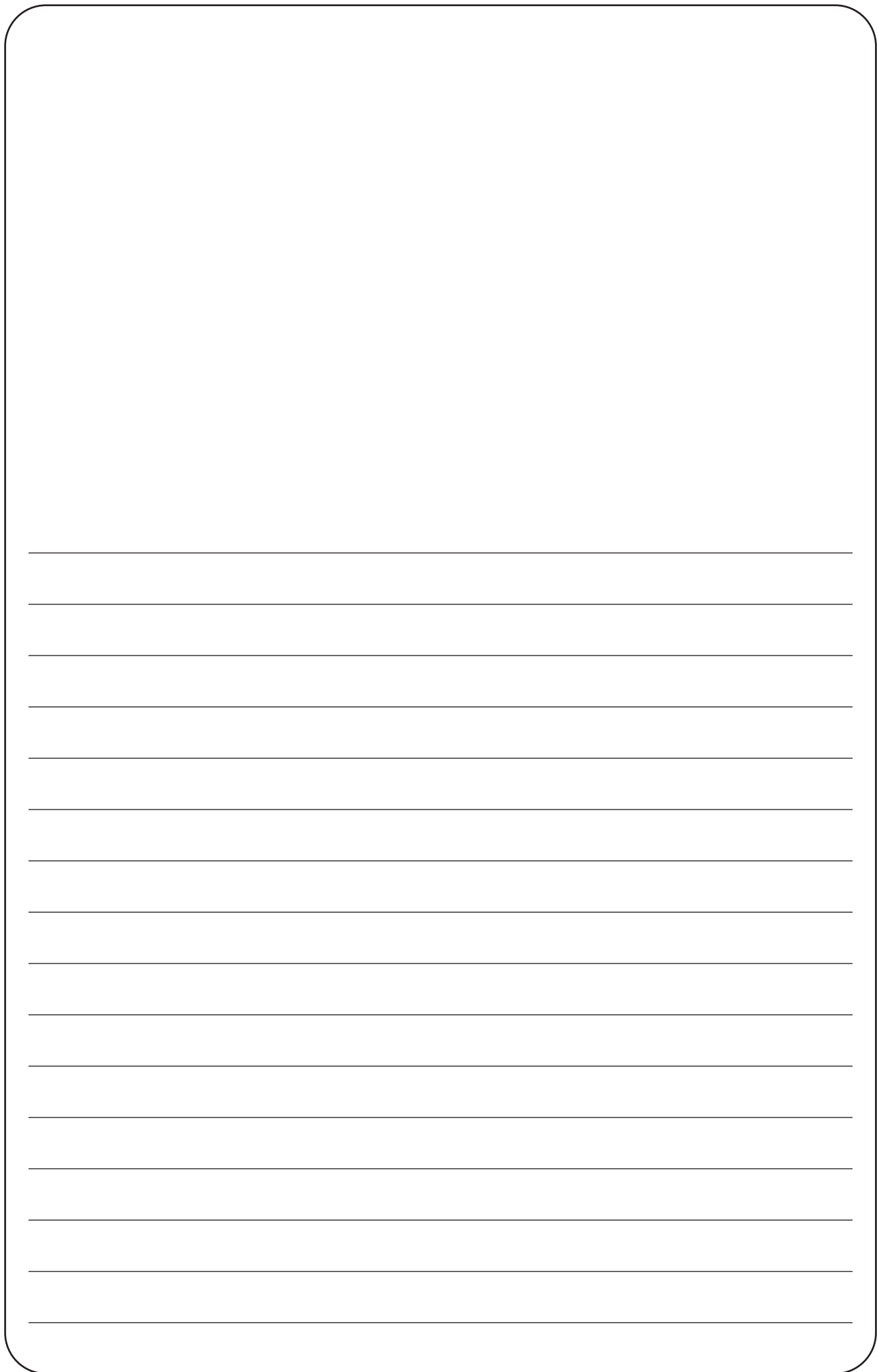
- Gathering presser foot

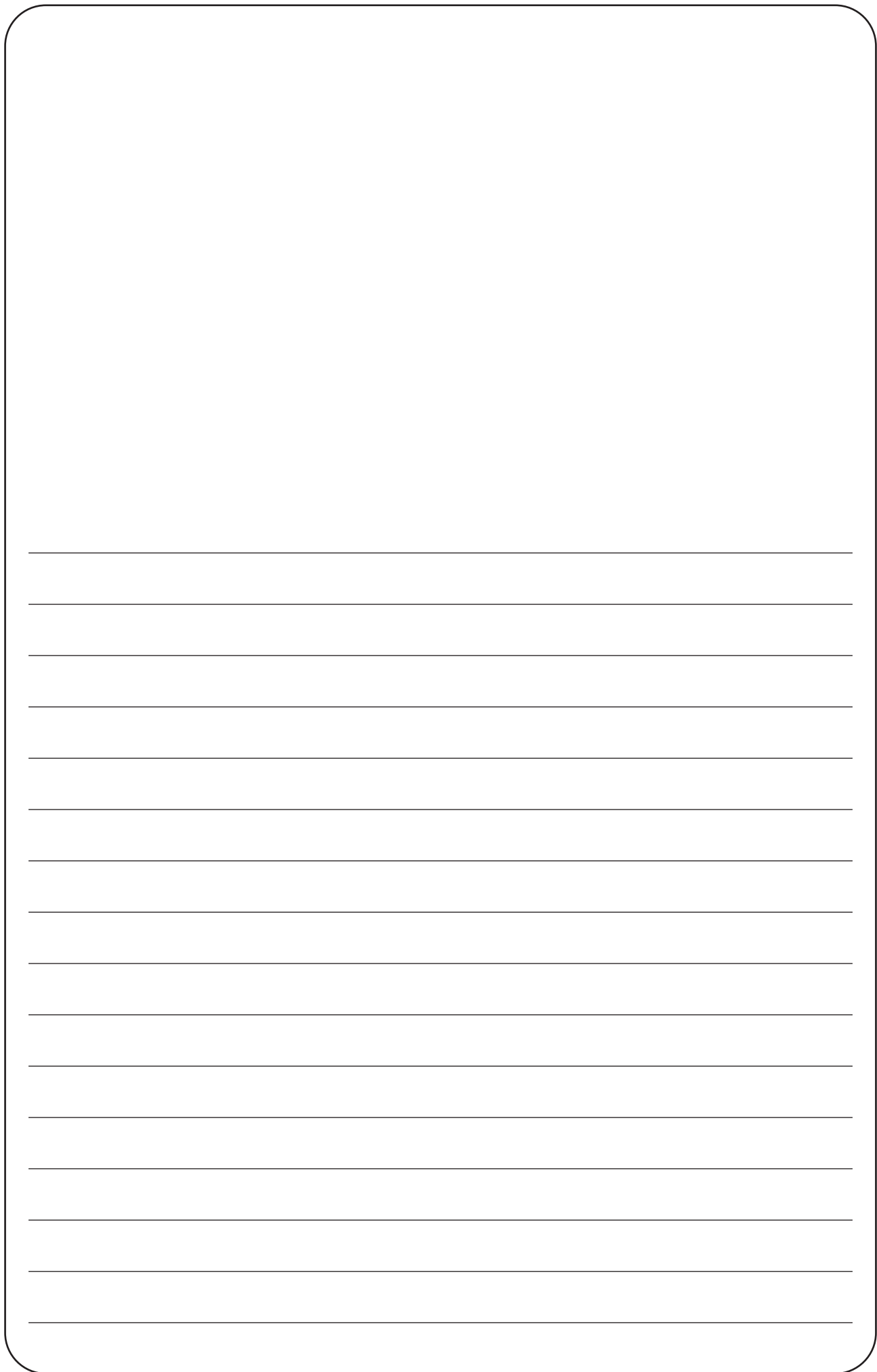


A9860 655 0A0C



Contact your local dealer.





JUKI®

JUKI CORPORATION

2-11-1, TSURUMAKI, TAMA-SHI,
TOKYO, 206-8551, JAPAN

PHONE : (81)42-357-2341

FAX : (81)42-357-2379

Copyright © 2020 JUKI CORPORATION
All rights reserved throughout the world.

40240825



000609