

2-Needle, 2/3/4-Thread Overlock Sewing Machine
Maquina de coser Sobreorilladora de 2 Agujas, 2/3/4 Hilos
Surjeteuse-Raseuse 2 Aiguilles, 2/3/4 Fils

MO-3000QVP

INSTRUCTION MANUAL MANUAL DE INSTRUCCIONES MANUEL D'INSTRUCTIONS

IMPORTANT:

Read all safety regulations carefully and understand them before using your sewing machine.
Retain this instruction manual for future reference.

IMPORTANTE:

Lea cuidadosamente todas las recomendaciones con respecto a la seguridad y comprendalas perfectamente antes de usar su maquina.
Guarde este libro de instrucciones para referencias futuras.

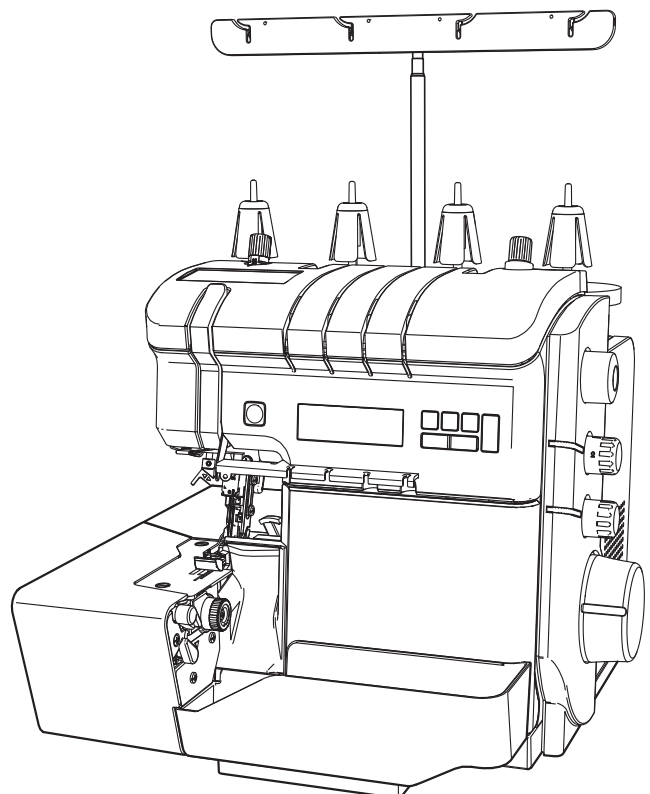
IMPORTANT:

Avant de mettre la machine en marche, lire attentivement et assimiler les regles de securite de ce manuel.
Conserver le manuel afin de pouvoir le consulter ul terieurement.

EN

ES

FR



“IMPORTANT SAFETY INSTRUCTIONS”

When using an electrical appliance, basic safety precautions should always be followed, including the following: Read all instructions before using this sewing machine.

“DANGER ___ To reduce the risk of electric shock:”


1. The appliance should never be left unattended when plugged in.
2. Always unplug this appliance from the electric outlet immediately after using and before cleaning.

“WARNING ___ To reduce the risk of burns, fire, electric shock, or injury to persons:”

1. Do not use the appliance as a toy. Caution is advised when the appliance is used by children, or near children. This sewing machine can be used by children aged from 8 years and above and persons with reduced physical, sensory or mental capabilities or lack of experience and knowledge if they have been given supervision or instruction concerning use of the sewing machine in a safe way and understand the hazards involved. Children shall not play with the sewing machine. Cleaning and user maintenance shall not be made by children without supervision.
2. Use this appliance only for its intended use as described in this manual. Use only attachments recommended by the manufacturer as contained in this manual.
The power cord and foot controller supplied in the accessory bag are for this model only.
Do not use the power cord and foot controller other than those supplied.
3. Never operate this appliance if it has a damaged cord or plug, if it is not working properly, if it has been dropped or damaged, or dropped into water. Return the appliance to the nearest authorized dealer or service center for examination, repair, electrical or mechanical adjustment.
4. Never operate the appliance with any air openings blocked. Keep ventilation openings of the sewing machine and foot control free from the accumulation of lint, dust, and loose cloth.
5. Keep fingers away from all moving parts. Special care is required around the sewing machine needle.
6. Always use the proper stitch plate. The wrong plate can cause the needle to break.
7. Do not use bent needles.
8. Do not pull or push fabric while stitching. It may deflect the needle causing it to break.
9. Do not carry out sewing with a marking pin stuck in the material since doing so can cause knife/needle breakage. In addition, do not attempt to cut anything other than fabric and thread with the upper/lower knives.
10. Switch the sewing machine off “O” when making any adjustments in the needle area, such as threading needle, changing needle, threading looper, or changing presser foot and the like.
11. Always unplug the machine from the electrical outlet when removing covers, when covers are opened to thread the loopers, when lubricating or when making any other user servicing adjustments mentioned in the instruction manual.
12. Never drop or insert any object into any opening.
13. Do not use outdoors.
14. Do not operate where aerosol (spray) products are being used or where oxygen is being administered.
15. To disconnect, turn all controls to the off “O” position, then remove plug from outlet.
16. Do not unplug by pulling on cord. To unplug, grasp the plug, not the cord.
17. Basically, the machine should be disconnected from the electricity supply when not in use.
18. If the supply cord is damaged, it must be replaced by the manufacturer, its service agent or similarly qualified persons in order to avoid a hazard.
19. (Except USA/Canada) This machine is provided with double insulation.
Use only identical replacement parts. See instructions for servicing Double-Insulated machine.

“SERVICING DOUBLE-INSULATED PRODUCTS (Except USA / Canada)”

In a double-insulated product, two systems of insulation are provided instead of grounding. No grounding means is provided on a double-insulated product nor should a means for grounding be added to the product. Servicing a double-insulated product requires extreme care and knowledge of the system and should only be done by qualified service personnel. Replacement parts for a double-insulated product must be identical to those parts in the product. A double-insulated product is marked with the words DOUBLE INSULATION or DOUBLE INSULATED.

The symbol  may also be marked on the product.

“SAVE THESE INSTRUCTIONS”

“This overlock sewing machine is intended for household use only.”

Congratulations on your purchase of a JUKI sewing machine.

Please be sure to read safety precautions in “To use the sewing machine safely” in the Instruction Manual before use to fully understand the functions and operating procedures of the sewing machine so as to use the sewing machine for a long time.



After you have read the Instruction Manual, please be sure to keep it together with the warranty so that you can read it whenever necessary.

The warranty does not apply to any failures under conditions other than normal state use (failures that occur in the case the sewing machine is used without following the Instruction Manual or precautions given on the labels attached to the main body), and consumable parts (such as needles and knives). For warranty information, check the contents of the separate warranty.









To use the sewing machine safely

Marks and pictographs included in the Instruction Manual and shown on the sewing machine are used so as to ensure safe operation of the sewing machine and to prevent possible risk of injury to the user and other people.

Warning marks are used for different purposes as described below.

 WARNING	Indicates that there is a possible risk of death or serious injury if this mark is ignored and the sewing machine is used in a wrong manner.
 CAUTION	Indicates the operation, etc. which can cause a possible risk of personal injury and/or physical damage if this mark is ignored and the sewing machine is used in a wrong manner.

Pictographs mean the following:

	Danger warning which is not specified		There is a risk of electrical shock		There is a risk of fire		There is a risk of injury to hands, etc.
	Prohibited matter which is not specified		Disassembly/alteration is prohibited		Do not place fingers under the needle		Do not pour oil, etc.
	Generally required behavior		Disconnect the power plug				

! WARNING

For the combination of the material and the thread and needle, in particular, refer to the explanation table in “Replacement of the needle”.

If the needle or thread does not match the material used such as in the case that an extra heavy-weight material (e.g., denim) is sewn with a thin needle (#11 or higher), the needle can break resulting in an unexpected personal injury.

Other precautions

- Do not put the sewing machine under the direct sunlight or in a humid place.



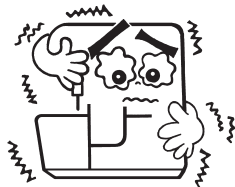
- Do not wipe the sewing machine with solvent such as thinner.

When the sewing machine is soiled, put a small quantity of neutral detergent on a piece of soft cloth and carefully wipe off the sewing machine with it.



Be aware that the following state can take place since the sewing machine incorporates semi-conductor electronic parts and precise electronic circuits.

- Be sure to use the sewing machine in the temperature range from 5°C to 40°C. If the temperature is excessively low, the machine can fail to operate normally.



* The operating temperature of the sewing machine is between 5°C and 40°C. Do not use the sewing machine under the direct sunlight, near the burning things such as a stove and candle, or in a humid place. By so doing, the temperature in the interior portion of the sewing machine can rise or the coating of the power cord can melt, causing fire or electrical shock.



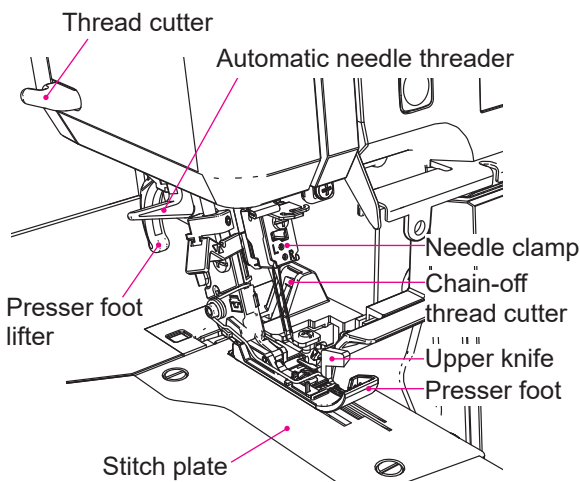
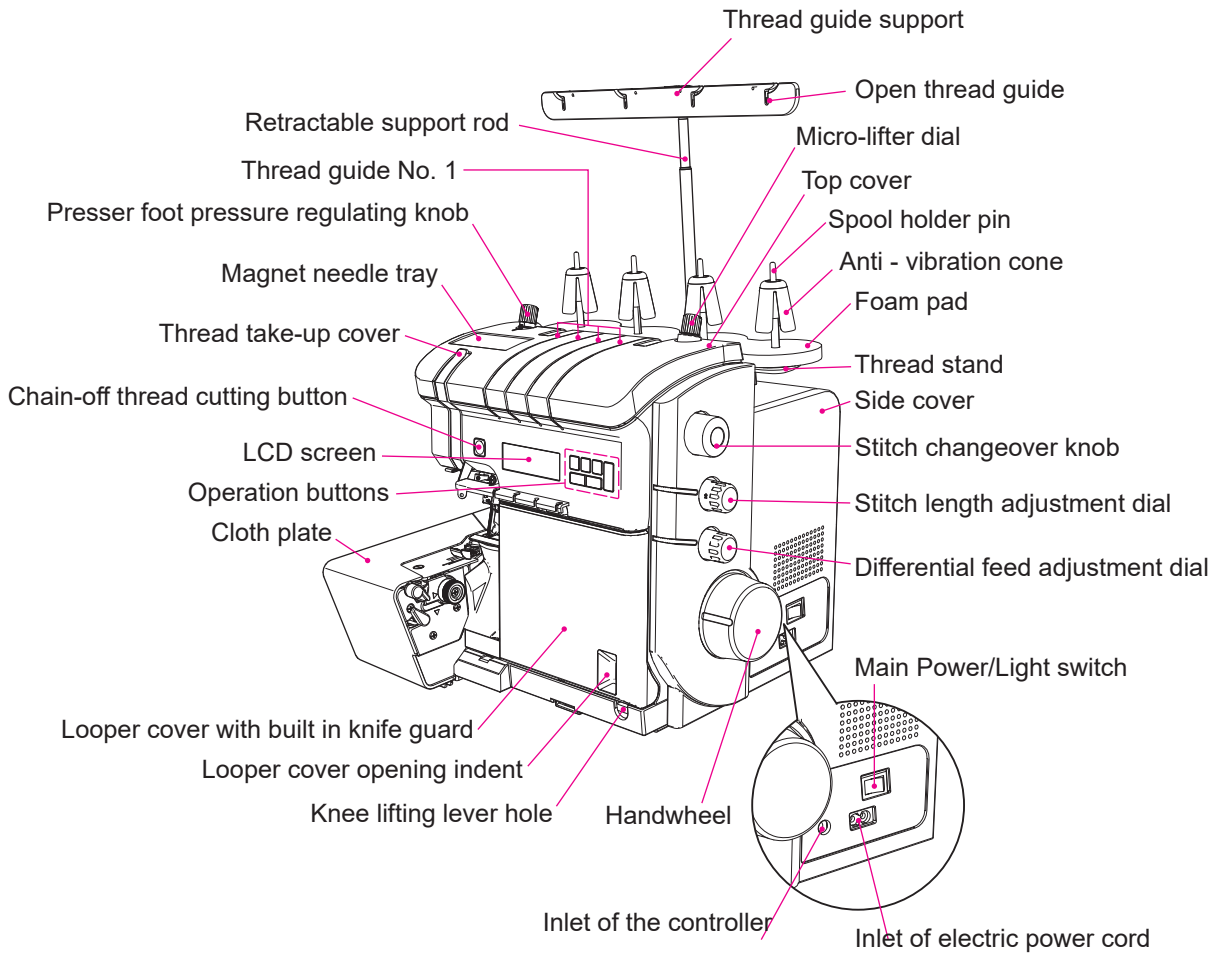
Please scan the QR code with your mobile phone/tablet to access the operation support video or visit our video site.

<https://www.youtube.com/playlist?list=PLY0cKTfgy6QyzRxeIR4qTQ6xs0VGid9Hg>

Contents

Safety regulations	1-3	Threading preparations / Tips	23
Contents	4	Stitch chart.....	24
Details of the machine	5,6	Threading 4/3 Thread OL	25-31
• Accessories	6	• Lower looper.....	25,26
• Waste collector	6	• Upper looper	27,28
Operation buttons on the LCD screen... 7		• Right needle.....	29
Editing and setting	8,9	• Left needle	30
Preparing the machine / Using the machine.....	10,11	• How to use the looper threader	31
• Thread stand.....	10	Trial sewing.....	32
• Thread, cones, spools	10	Practical Sewing - Overlock	33-39
• Attaching the foot control.....	11	• 2-needle, 4-thread overlocking	33
Using the machine.....	12-15	• 1-needle 3-thread overlocking	34
• Main Power/ light switch.....	12	• 1-needle 2-thread overlocking	35
• Looper cover.....	12	• Rolled hemming and narrow overlocking..	36
• Handwheel	13	• Sewing in tape	37
• Two step presser foot lifter with integrated front foot lift	13	• Thread breakage during sewing	37
• How to use the knee lifting lever	13	• Unpicking seams	37
• Changing the presser foot.....	14	• Securing thread ends at the beginning and end of sewing.....	38,39
• How to use the presser foot	14	Maintenance.....	40,41
• Upper knife is deactivated	15	• Cleaning and lubricating	40
• Inserting the needles	15	• Replacing the knife	41
Needle and thread	16	Error display	42
Adjustments and settings.....	17-22	Trouble shooting guide.....	43,44
• Stitch length.....	17	Technical data.....	45
• Cutting width.....	17	Optional Accessories	46
• Adjusting the stitch width finely	18		
• Differential feed	19		
• Gathering	20		
• Roll hemming.....	20		
• Presser foot pressure	21		
• Setting the height of the presser foot with the micro-lifter dial.....	21		
• Automatic chain-off thread cutting	22		

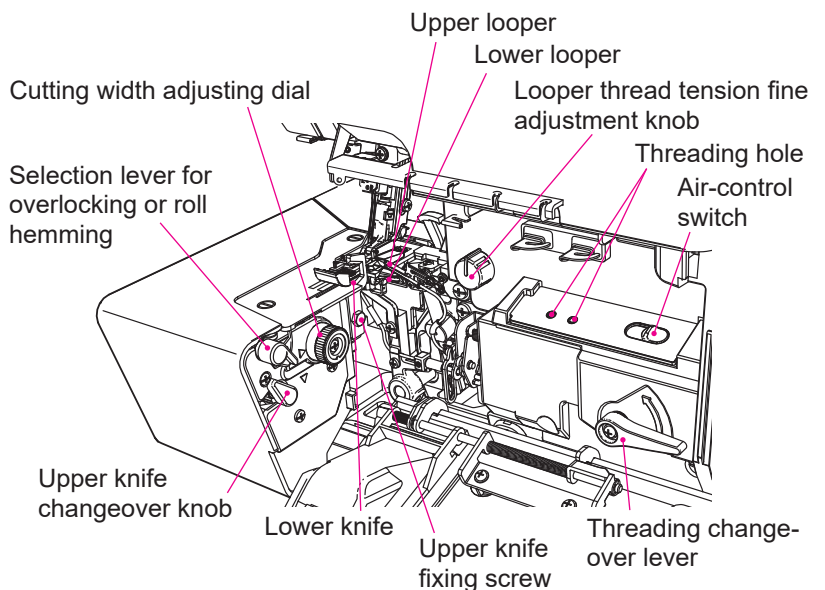
Details of the machine



● View with looper cover open

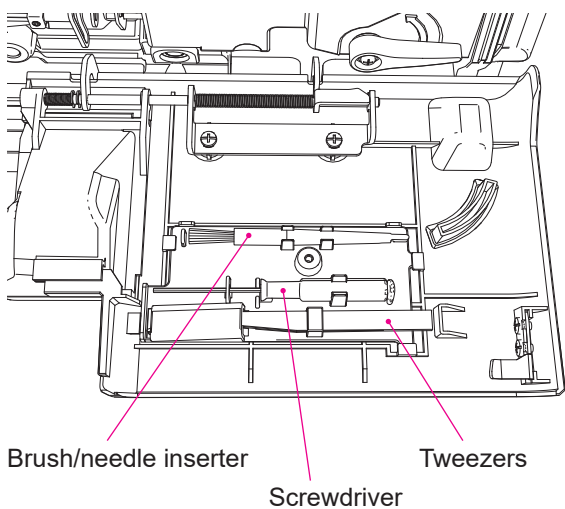
CAUTION

Be sure to turn off the power switch before opening the looper cover.

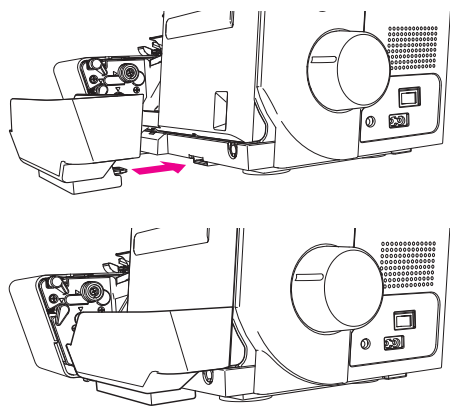


Details of the machine

● Accessories



<p>Electronic foot control (Model No.: JC-001)</p>	<p>Accessory bag</p>	<p>Knee lifter lever</p>
<p>Power cord</p>	<p>Dust cover</p>	<p>Spool caps</p>
<p>Looper threader</p>	<p>Waste collector</p>	<p>Wool needle</p>
<p>Needle set HA×1 No.80(No.12)×3 No.90(No.14)×2</p>	<p>Oil</p>	<p>T-shape screwdriver</p>
<p>Retractable support rod</p>	<p>Thread guide support</p>	<p>Curve foot</p>
<p>· Instruction manual (This manual)</p>		

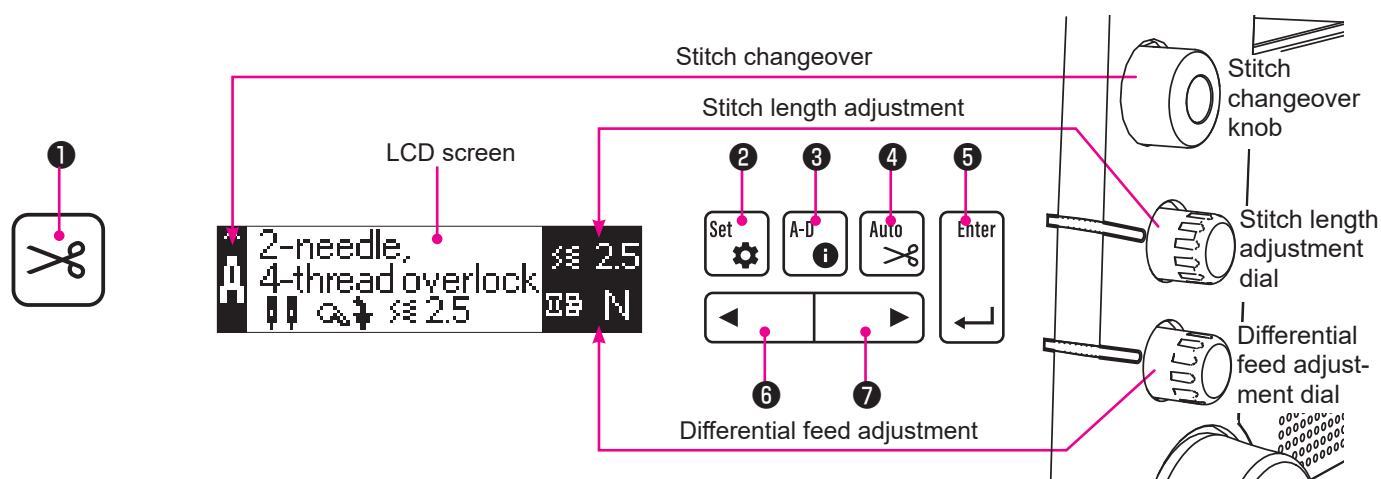


Waste collector

Insert the waste collector into the hole in the lower part of the looper cover.

It catches the cut-off fabric as you sew, keeping your working area neat and tidy.

Operation buttons on the LCD screen



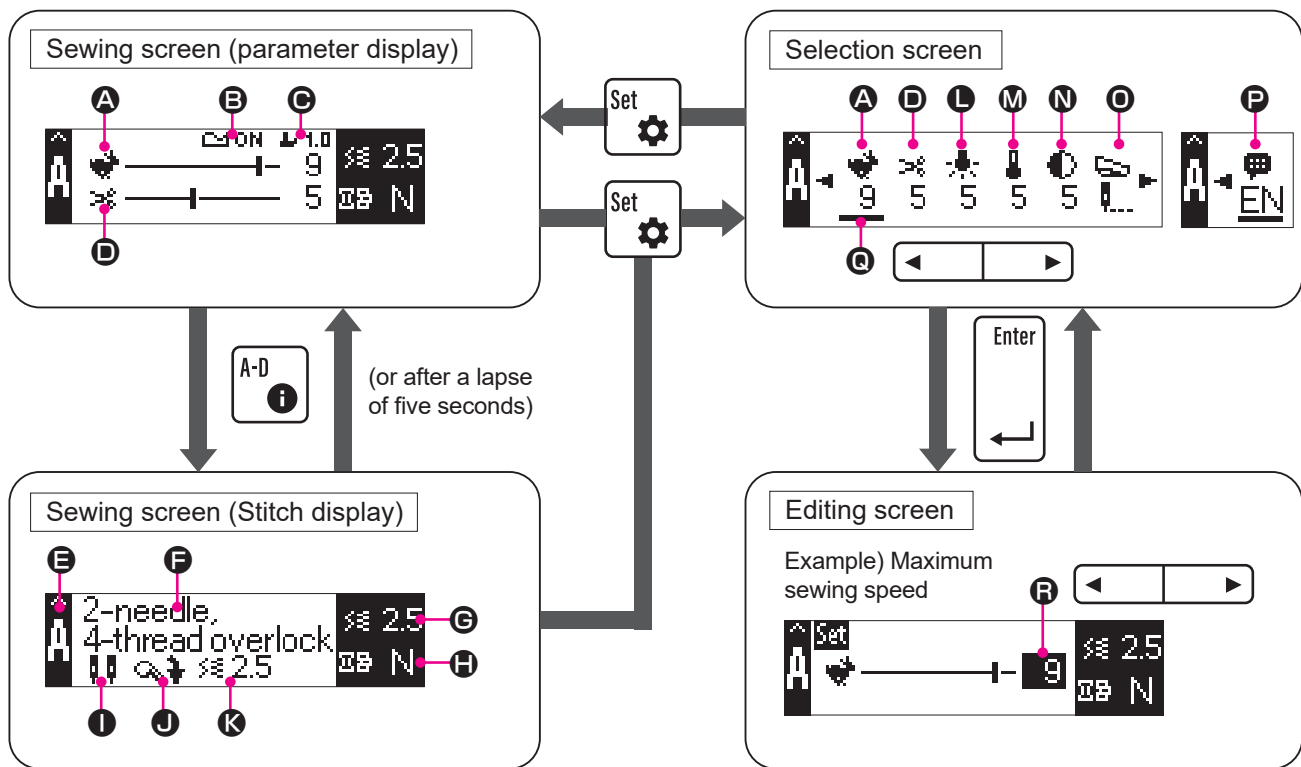
	Button name	Function
①	Chain-off thread cutting button	Use this button to manually cut the chain-off thread. * Chain-off thread is stitch-formed thread with no material.
②	Edit button	Displays the data edit screen. With this button, the "maximum sewing speed", "automatic chain-off thread cutting length", "hand LED illumination", "hand LED color temperature", "LCD contrast", "Machine operation when operating the foot switch" and "display language" can be edited.
③	Stitch display button	Displays the stitch display screen. Four different types of stitches are available: "A: 2-needle 4-thread", "B: 1-needle 3-thread", "C: Narrow overlocking" and "D: Rolled hemming".
④	Automatic chain-off thread cutting changeover button	Changes over ON/OFF of the automatic chain-off thread cutting. When this button is placed in ON, the material end is detected at the end of sewing and chain-off thread is automatically cut to the set length.
⑤	Enter button	Confirms the content you have edited.
⑥	Left button	Moves the selection bar on the LCD screen to the left.
⑦	Right button	Moves the selection bar on the LCD screen to the right.

* The buttons are disabled while the sewing machine is in operation.

	LCD screen display	Display contents	
①		Displays the stitch.	Change over the stitch with the stitch changeover knob.
②		Displays the stitch length.	Adjust the stitch length by turning the stitch adjustment dial.
③		Displays the differential feed ratio.	Adjust the differential feed amount by turning the differential feed adjustment dial.

Editing and setting

LCD screen display

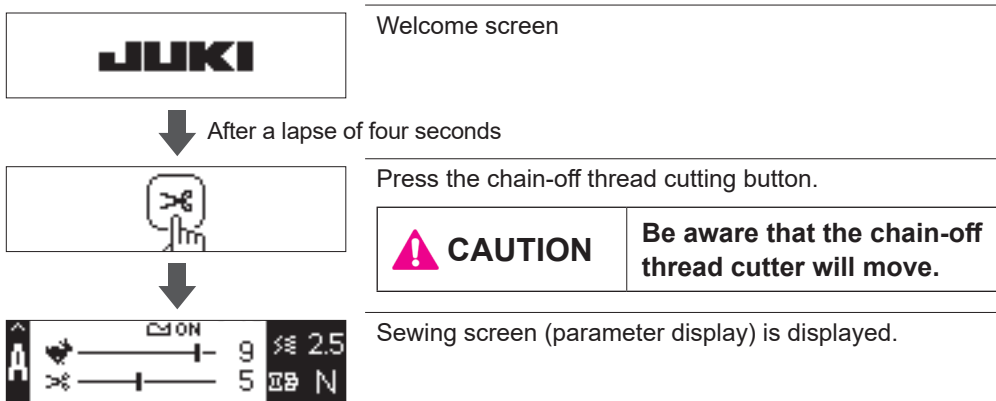


	Display contents
A	Maximum sewing speed
B	Material detection sensor ON (With a material) OFF (Without a material) (This parameter is displayed only when the automatic chain-off thread cutting function is enabled.)
C	Height of the presser foot by the micro-lifter (This parameter is displayed only when the presser foot is lifted with the micro-lifter dial.)

	Display contents
D	Automatic chain-off thread cut- ting length
E	Stitch symbol
F	Stitch name
G	Stitch length
H	Differential feed ratio
I	Number and positions of the needles to be set
J	Position of the overlocking width changeover knob

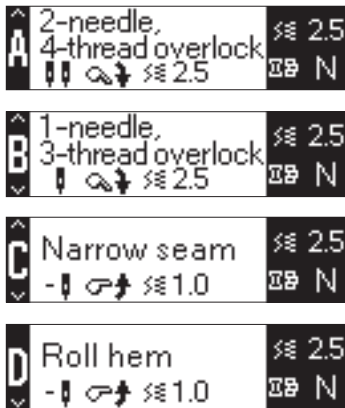
	Display contents
K	Recommended value of stitch width
L	Hand LED illumination
M	Hand LED color temperature
N	LCD contrast
O	Machine operation carried out by depressing the foot switch
P	Display language
Q	Selection bar
R	Set value

1. At the startup of the sewing machine



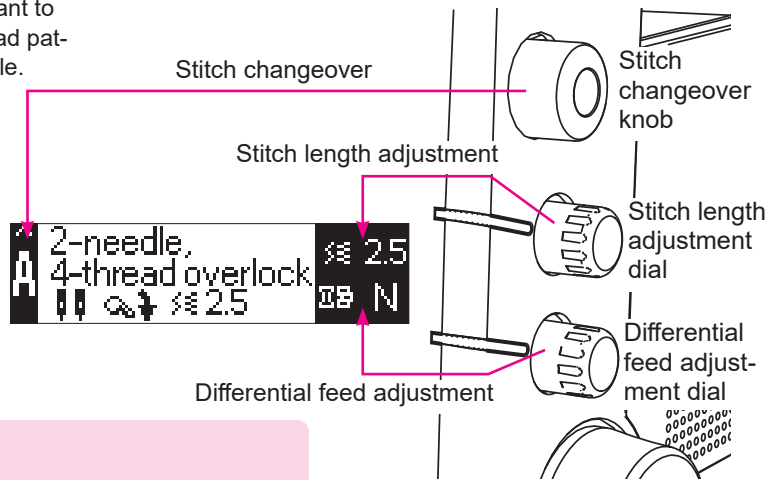
2. How to select the stitch

Change over the stitch to be sewn by turning the stitch changeover knob.



* Select "A" when you want to sew a 1-needle, 3-thread pattern using the left needle.

* **Use the right needle.**
* If you want to sew the "1-needle 2-thread" stitch, select "B".



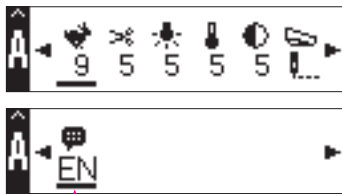
◆ Thread tension

This product has adopted the feeder type automatic thread tension controller. Since this automatic thread tension controller supplies the required amount of thread according to the stitch, material thickness, stitch length and knife width you have selected, it is not necessary to adjust the thread tension.

3. Items that can be set and setting method

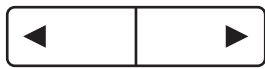
Data selection screen

Press



Selection bar

The selection bar blinks below the item you have selected.

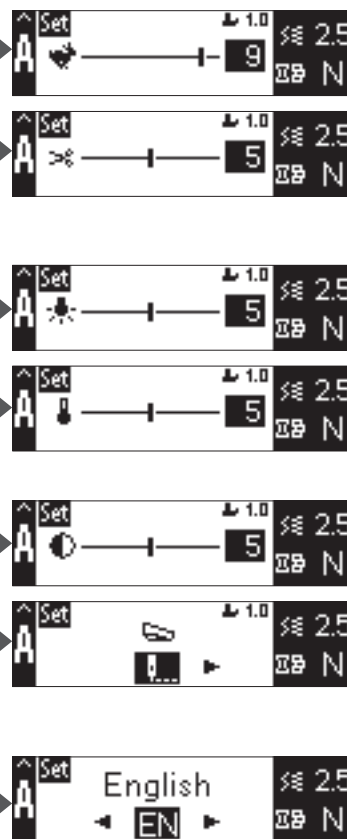


Press these buttons to select or edit the item.



Press this button to confirm the selection or editing you have carried out.

Data editing screen



The maximum sewing speed can be changed.
1: Slow → 10: Fast

The automatic chain-off thread cutting length can be set.
1: 1cm → 10: 10cm
* The chain-off thread cutting length is a rough guide. It varies depending on sewing conditions such as the type of thread and stitch length.

The illumination of the hand LED can be changed.
0: Dark → 10: Bright

The color temperature of the hand LED can be changed.
0: Low (cold color system) → 10: High (warm color system)

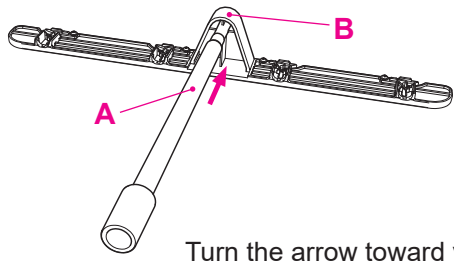
The contrast of the LCD can be changed.
1: High → 10: Low

It is possible to change the machine operation to be carried out by depressing the foot switch.
 : Half stitch/low-speed inching stitch
 : Chain-off thread cutting

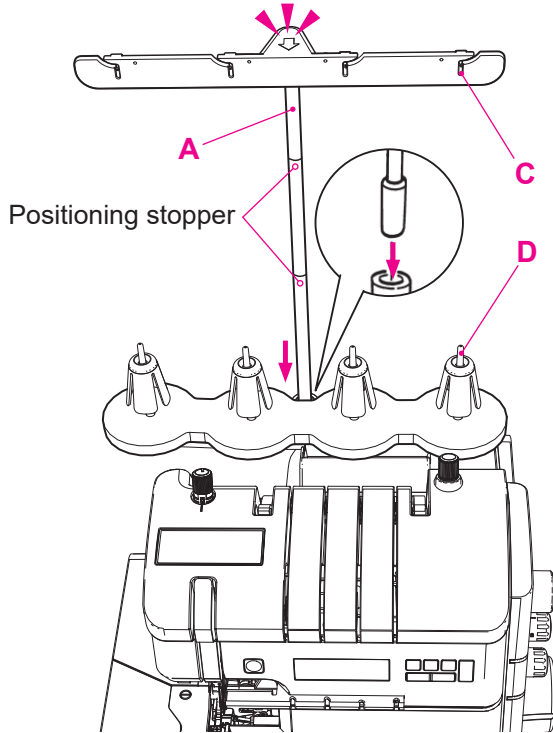
The display language of the LCD can be changed.
Japanese, English, Spanish, German, French, Italian, Dutch, Danish, Norwegian, Finnish, Swedish, Czech, Russian and Chinese

After you have completed editing, press and to return the screen to the sewing screen.

Preparing the machine / Using the machine



Turn the arrow toward you.

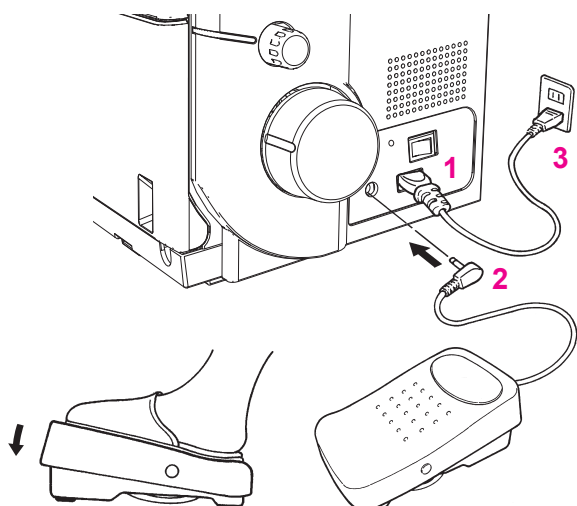


Thread stand

1. Insert retractable support rod (A) into thread guide support (B).
2. Draw out retractable support rod (A) to put it into the positioning stopper until it clicks. Then, install open thread guide (C) so that it is positioned directly above spool holder pin (D).

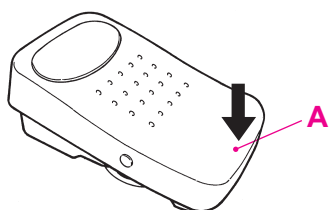
	<p>Thread / cones / spools</p> <p>The anti-vibration cone should be used with the wider edge at the bottom on the spool holder pin when sewing with cones.</p>		<p>Large spools</p> <p>If large industrial spools are used, position the anti-vibration cone upside down on the spool holder pin, i.e. with the wider edge at the top.</p>
	<p>Household spools</p> <p>Remove the anti-vibration cones. Place spools on spool holder pins and push the spool caps on with the rounded side downwards.</p>		

Preparing the machine / Using the machine



CAUTION:

Turn OFF the power switch before plugging or unplugging.



Attaching the foot control

1. Insert the power cord plug into the machine socket.
2. Insert the controller plug into the controller plug-in port.
3. Insert the power cord plug into the indoor electrical outlet.

The foot control regulates the sewing speed. The sewing speed can be adjusted by increasing or decreasing the pressure on the foot control.

WARNING

This appliance has a polarized plug (one blade wider than the other).

To reduce the risk of electric shock, this plug is intended to fit in a polarized main socket only one way.

If the plug does not fit fully in the polarized main socket, reverse the plug. If it still does not fit, contact a qualified electrician to install the proper polarized main socket. Do not modify the plug in any way. (for USA, Canada only)

■ Setting the foot switch

In the initial setting, the foot switch has been set to "half stitch/low-speed inching stitch".

It is possible to select "chain-off thread cutting" by changing the setting. (Refer to page 9)

: Half stitch/low-speed inching stitch

• Half stitch

It is possible to sew half stitches by lightly depressing the foot switch (**A**).

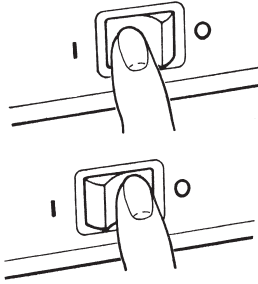
• Low-speed inching stitch

Press and hold down foot switch (**A**) to carry out sewing at a low speed.

: Chain-off thread cutting

It is possible to cut chain-off thread by depressing the foot switch (**A**).

Preparing the machine / Using the machine



Main Power/light switch

The main power/light switch is conveniently placed on the handwheel side of the machine in front of the socket.

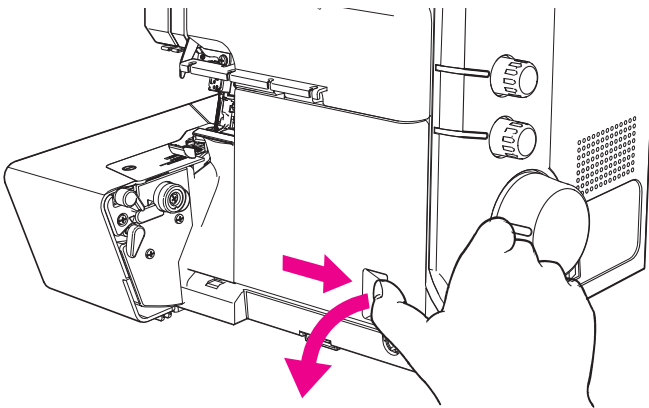
I = On with light

O = Off

CAUTION:

Perform these following steps when you are not using your sewing machine.

1. Be sure to turn OFF the power switch.
2. Be sure to remove the power plug from the wall outlet.
3. Do not place a thing on the foot controller.



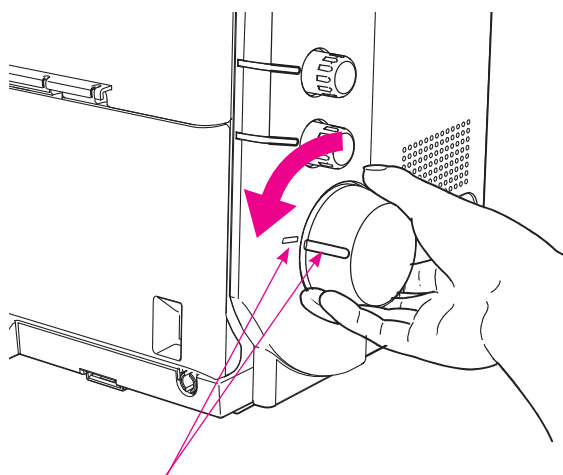
Looper cover

To open, press to the right with your thumb in the indent provided and tilt the cover towards you. To close push it up and press lightly to the right. The cover engages automatically.

Safety device: The sewing machine is equipped with a safety device in order to prevent malfunction. In any of the following cases, the safety device works to prevent the sewing machine from running.

- * When the looper cover is opened
- * When the cloth plate is opened
- * When the presser foot is raised

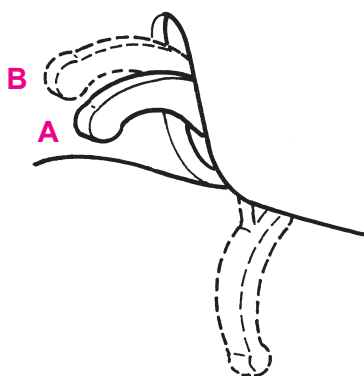
Using the machine



Handwheel

The handwheel turns forward, i.e. in the same direction as on a household sewing machine.

* The needle is brought to its upper end by aligning the “—” marking on the side of the front cover with the “□” marking on the handwheel.

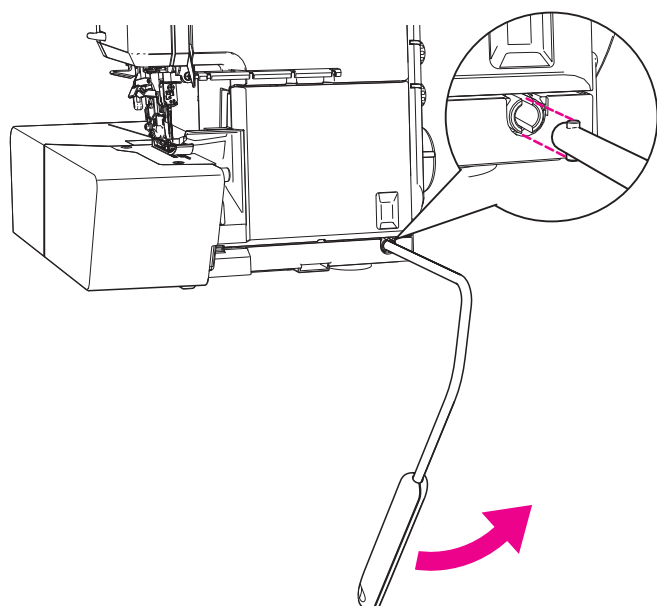


Two step presser foot lifter with integrated front foot lift

To raise the presser foot, lift the presser foot lever on the rear of the machine, until it engages (A). It can be raised again to the maximum height and held in this position to provide more space between presser foot and stitch plate (B).

When the foot is raised (A and B), the front of the foot is automatically lifted.

Note: When the presser foot is raised, all the tensions are released making it easier to thread the machine.



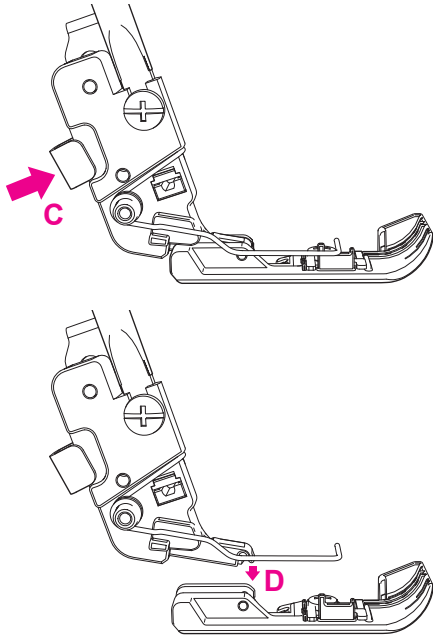
How to use the knee lifting lever

You can lift/lower the presser foot without taking your hands off the material.

1. Insert the protruding part of the knee lifting lever into the recessed part of the mounting hole.
2. Press the knee lifting lever to the right to lift the presser foot, or to the left to lower it.

* Do not touch the knee lifting lever during sewing. If you touch it, the presser foot will go up to cause a deformation of the seam.

Using the machine



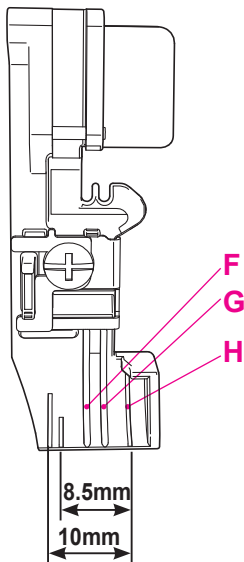
Changing the presser foot



When you want to change the presser foot, turn OFF the power switch and lower the upper knife.

- Raise the presser foot.
- Turn handwheel towards you until needles are fully raised. Match the matching up marks on handwheel and side cover.

Press the catch (C) to release the presser foot from the clamp. Raise the presser foot shank to the highest position (B) and remove the presser foot to the left. To attach the presser foot, place it under the shaft. The groove in the shaft should line up exactly with the presser foot pin (D). Lower the presser foot lifting lever and check that the groove in the shank should line up exactly with the presser foot pin (D). If it is not lined up, press the catch (C) to line up.



How to use the presser foot

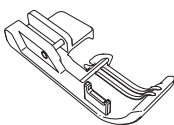
Use the marker on the presser foot as a guide when placing the material under the presser foot.

(F) Left needle position

(G) Right needle position

(H) Knife position (when the cutting width adjusting dial is set at scale mark "3.0")

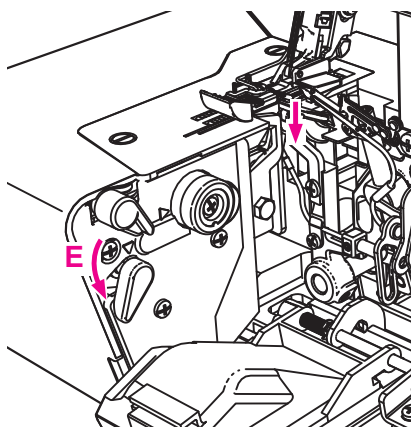
The knife position represents the position at which the material is cut.



• Curve foot

The curve foot is able to make small turns since it is smaller than the standard presser foot. It is useful for sewing small curves.

Using the machine



To carry out sewing without cutting the material (the upper knife is deactivated)



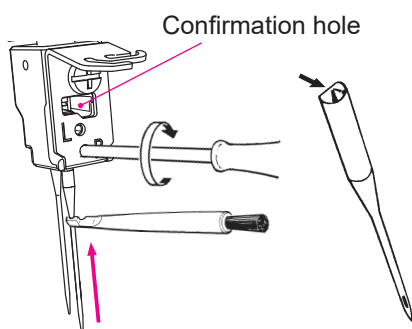
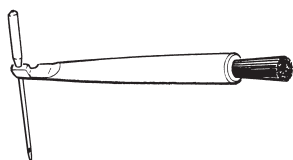
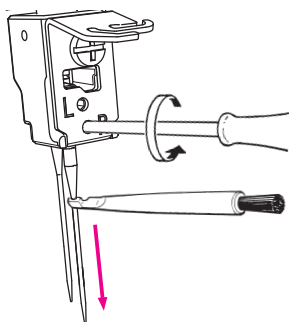
CAUTION

Switch the machine off (Power switch to "0")

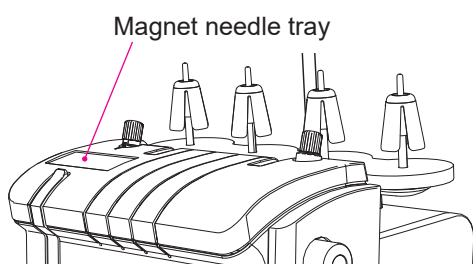
1. Lower the upper knife changeover knob in the direction of the arrow.
2. Check to be sure that the knife is lowered.

Caution:

To use the upper knife, place the upper knife changeover knob to the E position and turn the handwheel by hand about two turns to lift the upper knife.



Confirmation hole



Magnet needle tray

Inserting the needles



CAUTION

Switch the machine off (Power switch to "0")

Needles can be inserted quickly and easily with the practical needle inserter.

- Disconnect machine from electricity supply.

Turn handwheel towards you until needles are fully raised. Match the matching up marks on handwheel and side cover.

Lower the presser foot.

Using the screwdriver, loosen the needle setscrews and remove the needles.

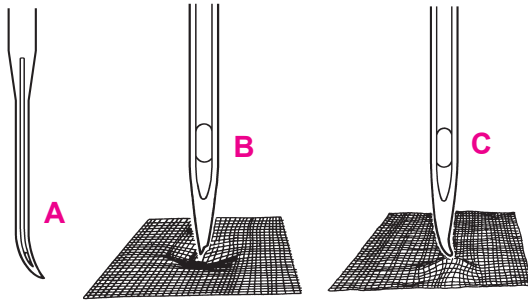
Place the right-hand needle, flat side towards the back, into the hole of the needle inserter and insert the needle as far as possible into the needle clamp. Tighten the setscrew lightly and then insert the left-hand needle in the same way and tighten both setscrews.

- * You can check that the needle is fully inserted into the hole of the needle inserter through the confirmation hole.
- * Be aware that the sheet metal inside the needle clamp may be bent if you tighten the screw excessively. Take care not to excessively tighten the screw.

• Magnet needle tray

You can place the needle you have changed on this tray.

Needle and thread



Needles

Needles must be in perfect condition. Problems can occur if needles:

- A** are bent.
- B** are damaged or blunt.
- C** have hooked points.

Needle and thread

The needle size used depends on the thread. The needles should be in accordance with thread used.

When sewing, the thread is fed through the long groove in the needle. If the needle is too fine, the thread does not fit into the groove and stitches will be skipped.

Use needles No. 70 - 90.

* It is recommended to use JLx2 needle, especially when sewing thick materials, overlapped section, etc, with overlock machine.

Thread/decorative threads

Sewing and special overlock threads are manufactured in a wide variety of types, weights and combination of fibres. It is worth investing in good quality threads for perfect sewing results. Decorative threads specially made for overlockers (available on cones) are also becoming widely available. We recommend following the basic guidelines when using special threads on your overlocker:

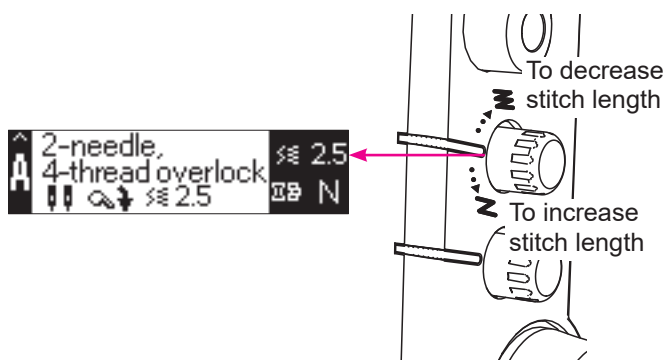
- Purchase threads on cones or spools which are produced exclusively for overlocking.
- When using normal spools, use the spool caps (in accessory bag).
- Only use decorative threads in the loopers. The thread must move easily and without resistance through the thread guides and looper eyes.
- The thicker the thread, the longer the stitch length (3-4).
- The thicker the thread, the looser the tensions.
- Sew slowly when using decorative threads. Pull the thread chain gently to the rear when starting to sew.

Always test sew decorative threads before starting to sew your work.

Thread, needle, application table

Thread	Needles	Where	Application
All purpose overlock thread 120/2 (polyester)	70-90	Needles and looper threads	For all overlock.
Polyester-continuous filaments		Loopers only	Neatening edges
Woolly nylon		Loopers only	Soft seams in knits, rolled hems.
Spun Polyester	80-90	Needles, and looper threads	Seams in all fabrics.
Embroidery/darning and decorative threads	70-90	Loopers only	Neatening edges, rolled hems.

Adjustments and settings



Stitch length

It can be adjusted while sewing.

The stitch length is infinitely variable from 0.7 to 4 mm. Most overlock work is done with a basic setting of 2.5 mm.

For roll hemming or narrow overlocking, it is best to set the dial at "0.7 to 1.5".

For blind stitch which requires the "use of separately-available presser foot", set the dial at "4".

Cutting width



CAUTION

Switch the machine off (Power switch to "0")

Set the seam width by turning the cut width adjustment dial.

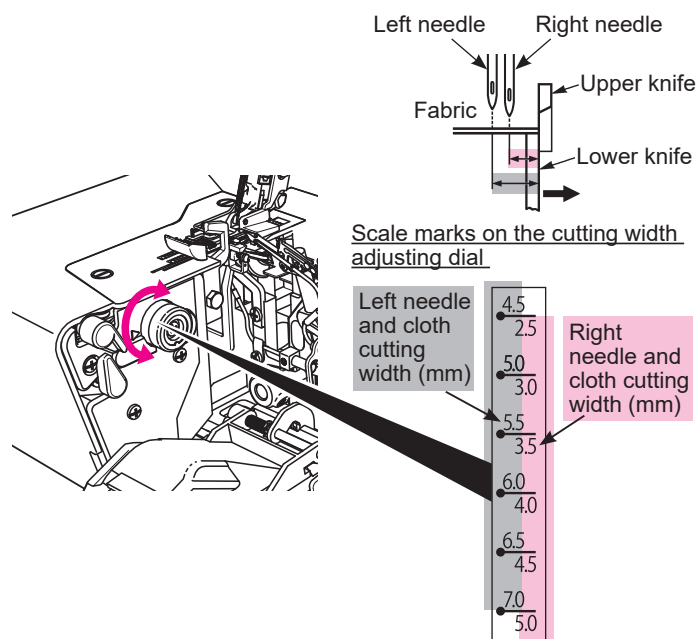
- Raise the upper knife.
- Turn cutting width adjustment dial in the desired direction.
- Lower upper knife.

The position of the lower knife determines the width of the seam.

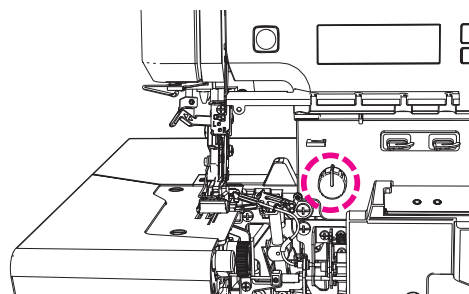


WARNING

Do not carry out sewing with a marking pin stuck in the material. In addition, do not attempt to cut anything other than fabric and thread with the upper/lower knives. Be aware that doing so can cause needle break or personal injury.

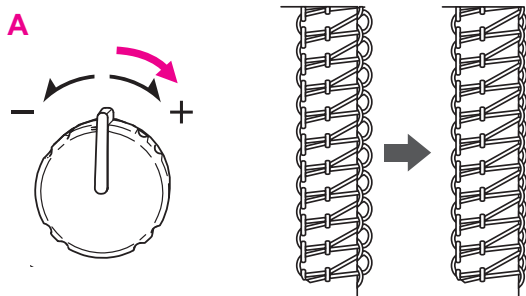


Adjustments and settings

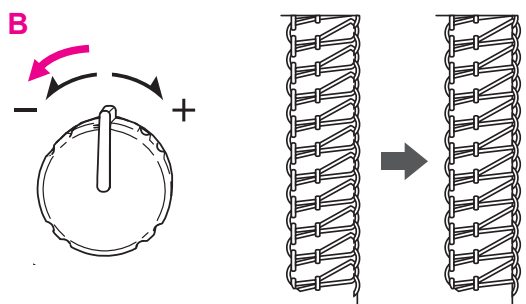


Adjusting the stitch width finely

This sewing machine automatically controls the thread tension. It should be remembered, however, that in some cases the stitch formation can be improved by turning the looper thread tension fine adjustment knob clockwise or counterclockwise according to the type of material or thread and the differential feed adjustment amount.




- A** If the looper thread tension is too low
→ Turn the knob clockwise.

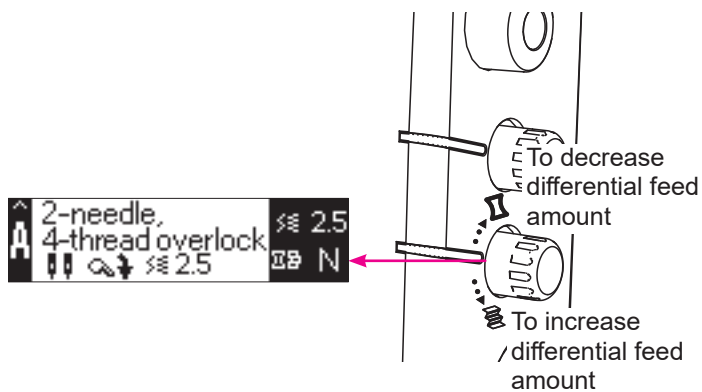


- B** If the looper thread tension is too high
→ Turn the knob counterclockwise.

WARNING

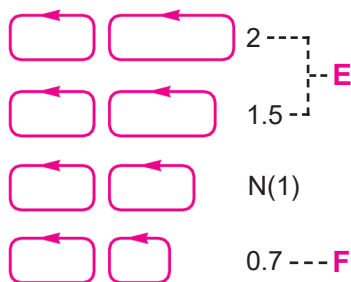
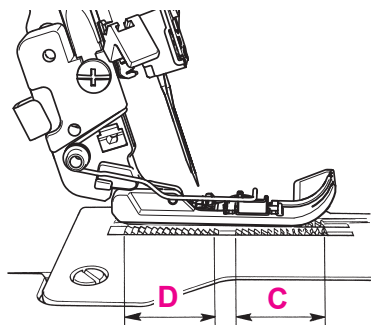
 Do not carry out sewing with a marking pin stuck in the material. In addition, do not attempt to cut anything other than fabric and thread with the upper/lower knives. Be aware that doing so can cause needle break or personal injury.

Adjustments and settings



Differential feed

There are two feed dogs one front (C) and one rear (D). The two feed dogs move independently and the distance each feed dog travels during one complete movement can be adjusted. The differential feed prevents fluting or waving in knitted or stretch fabrics and movements between the layers of fabric. It also ensures pucker-free seams in smooth fabric such as nylon or closely woven fabric.



Perfectly flat seams in knits or stretch fabrics.

The distance travelled by the front feed dog should be greater than that of the rear feed dog. The front feed dog, therefore, feeds an amount of fabric which the rear feed dog can take up behind the needle without stretching the fabric. (E)

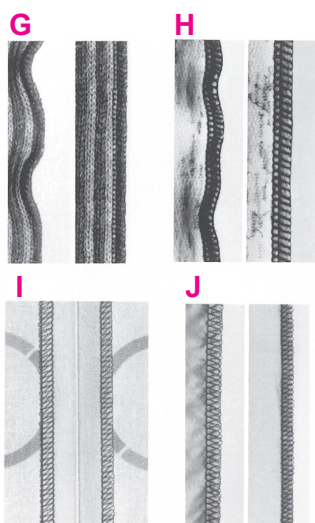
Pucker - free seams in nylon or closely woven fabrics.

The distance travelled by the rear feed dog should be greater than that of the front feed dog. The front feed dog, therefore, holds the fabric back so that the rear feed dog can take it up behind the needle without any puckering. (F)

Adjusting the differential feed

The differential feed can be adjusted by simply turning the differential feed adjustment dial in the direction desired. Always make a trial run. The differential feed is infinitely variable and can be adjusted while sewing.

* The thread tension may vary depending on the differential feed adjustment amount. In such a case, adjust the thread tension with the looper thread tension fine adjustment knob. (Refer to page 18).

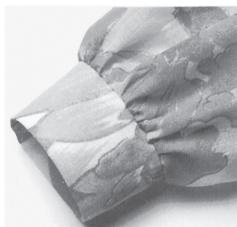


Adjusting the differential feed

Simply turn the dial in the direction desired for fully variable adjustment while sewing. Test sew.

	Effect	Fabric
2	Wave-free seams (G)	Thick wool knits, hand knitted articles, very stretchy fabrics
1.5	Wave-free seams (H)	Cotton, silk, synthetic jersey, sweatshirt fabrics and fine knits
N	Normal feed (I)	Woven fabrics
0.7	No puckering (J)	Fine nylon jersey, closely woven fabrics, lining fabric satin, poplin

Adjustments and settings



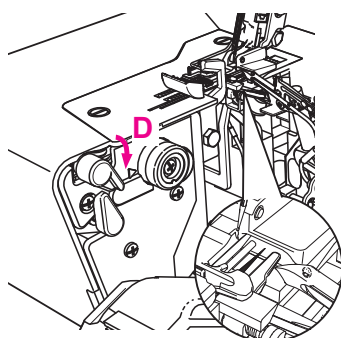
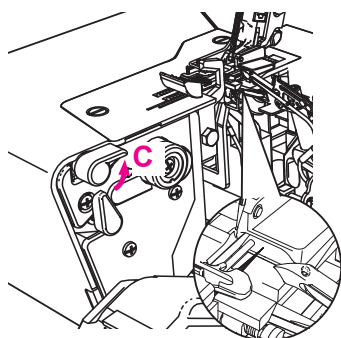
Gathering

Using the differential feed, a single layer of fabric can be gathered before sewing it to the garment.

For example, sleeve heads and lower edges, yokes, lace edging or frills.

Adjustment:

- Stitch: 4-thread overlock
- Differential feed: 2
- Stitch length: 4
- Cutting width: 2-3
- * If you want to make gathering far more than regular gathering, you should pull the needle thread after the completion of sewing.
- * After the completion of sewing gathering, return the differential feed adjustment value to "N".



Roll hemming

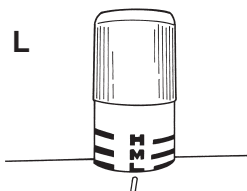
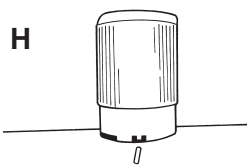
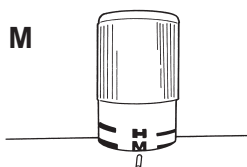
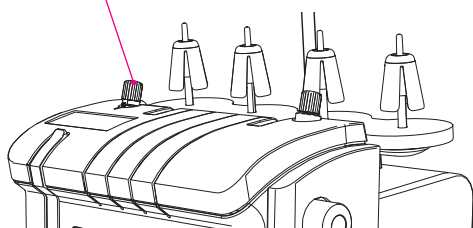
- Turn the handwheel towards you until the needles are fully raised.
- For roll hemming, move the overlocking width changeover knob upward and check that the overlocking claw retracts. (C).
- For standard overlocking, move the overlocking width changeover knob downward and check that the overlocking claw projects. (D).

The roll hemmer is fully integrated in the machine. The edge of the fabric will be automatically rolled over, producing a very narrow, fine seam or hem.

Roll hemming is ideal for finishing edges on all fine fabrics, such as evening clothes, lingerie, scarves, frills and also for curtains and napkins.

Adjustments and settings

Presser foot pressure regulating knob

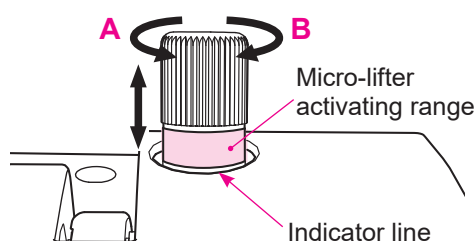
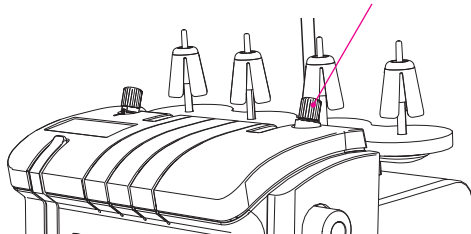


Presser foot pressure

The presser foot pressure is factory adjusted to a medium setting. Align the marker line on the presser foot pressure regulating knob with the upper end of the top cover.

- Position of knob for normal pressure (**M**) = Medium.
- More pressure: for thick or stiff fabrics such as denim, tweed, firm linen (**H**) = High.
- Less pressure: for light-weight or sheer fabrics and knits (**L**) = Low.

Micro-lifter dial



Setting the height of the presser foot with the micro-lifter dial

When sewing heavy-weight materials or slippery materials, material slippage can be prevented by changing the presser foot height without reducing the presser foot pressure (keeping the presser foot pressure at the current level).

Use the micro-lifter for quilting, sewing slippery materials such as velvet, or knit-type elastic materials.

It is also possible to change the height of the presser foot by the micro-lifter even during sewing.

Turn the micro-lifter dial to set the presser foot to such a height that will press the material appropriately.

A To decrease the presser foot height

B To increase the presser foot height

* When you do not use the micro-lifter, turn the dial fully in the direction **A**.

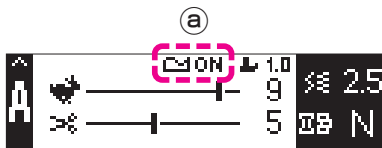
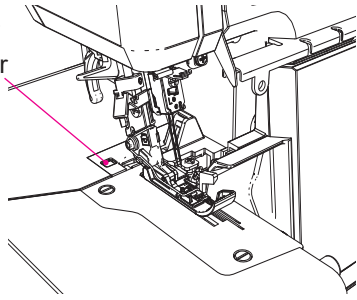
* The indicator line of the micro-lifter activating range can also be used as a guide for next sewing.

* Place the same material (for test sewing) as the material for actual sewing and adjust the presser foot height.

Be aware that the material may fail to be fed to cause thread tangling if the presser foot is lifted too high.

Adjustments and settings

Automatic chain-off thread cutter sensor



Automatic chain-off thread cutting

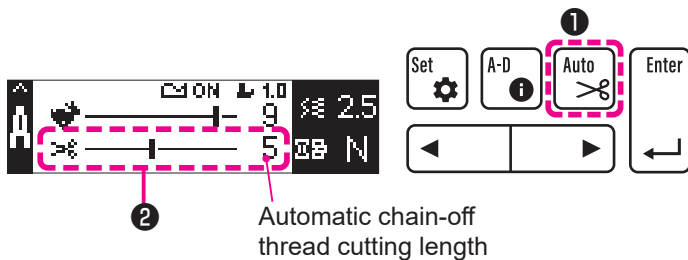
When the automatic chain-off thread cutting function is enabled, the material end is detected at the end of sewing and chain-off thread is automatically cut to the set length.

- * If the material is present on the sensor, the chain-off thread cutter will not operate.
- * Note that the automatic chain-off thread cutting function may fail to work well when sewing a transparent material, short material or narrow material. In such a case, place the automatic chain-off thread cutting function in OFF and press the chain-off thread cutting button manually.

- * As long as the sensor recognizes the material, (a) is displayed on the LCD screen.
- * When using decorative threads or thick threads, pull the fabric to the right after sewing and cut the chain-off thread while pulling it close to the base of the chain-off thread cutter, or cut with something other than the chain-off thread cutter.

Setting the automatic chain-off thread cutting function

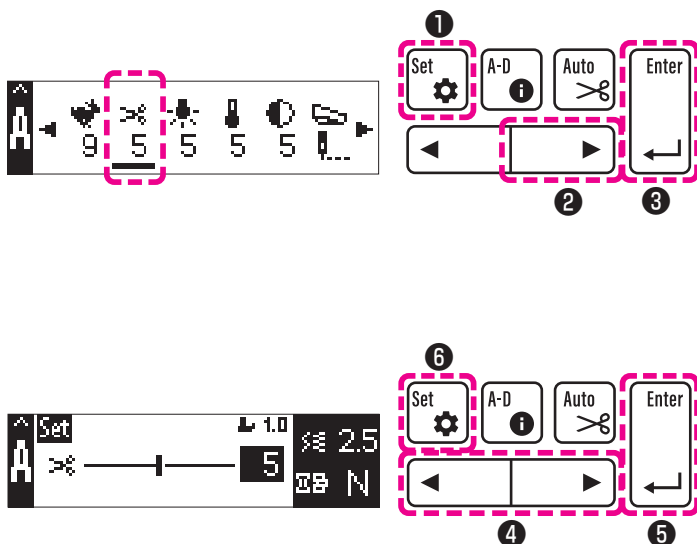
1. Press automatic chain-off thread cutting changeover button ①.
2. When the automatic chain-off thread cutting function is set, ② is displayed on the sewing screen (parameter display).
3. If you want to disable the automatic chain-off thread cutting function, press automatic chain-off thread cutting changeover button ① again.



Setting the length of chain-off thread

It is possible to set the chain-off thread length to be cut automatically.

1. Press edit button ①.
2. Press right button ② to select the item (second from the left) corresponding to the automatic chain-off thread cutting length.
3. Press enter button ③.
4. Press right or left button ④ to determine the chain-off thread cutting length.
5. Press enter button ⑤.
6. Press edit button ⑥.



Threading preparations / Tips

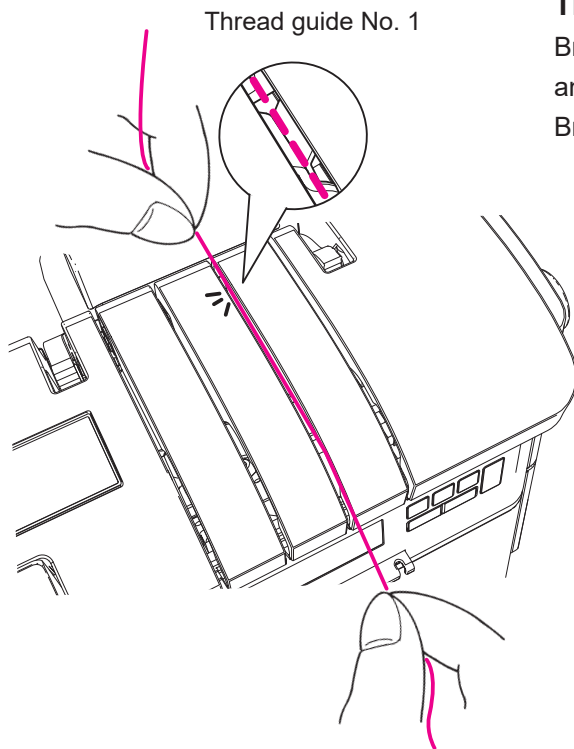
1. Extend the retractable support rod fitted with open thread guide as far as it goes.
2. Raise the presser foot. (Tension disk opens.)
3. Open the looper cover.
4. Turn the power on.

Threading sequence

The thread guides can be threaded in any sequence.

The threading sections are color coded correspondingly.

- Lower looper thread (red markings)
- ▲ Upper looper thread (blue markings)
- Right needle thread (green markings)
- ◆ Left needle thread (beige markings)












Threading the thread guide No. 1

Bring down the thread you have put on the retractable support rod and fit it in the thread guide No. 1 until you hear a click.

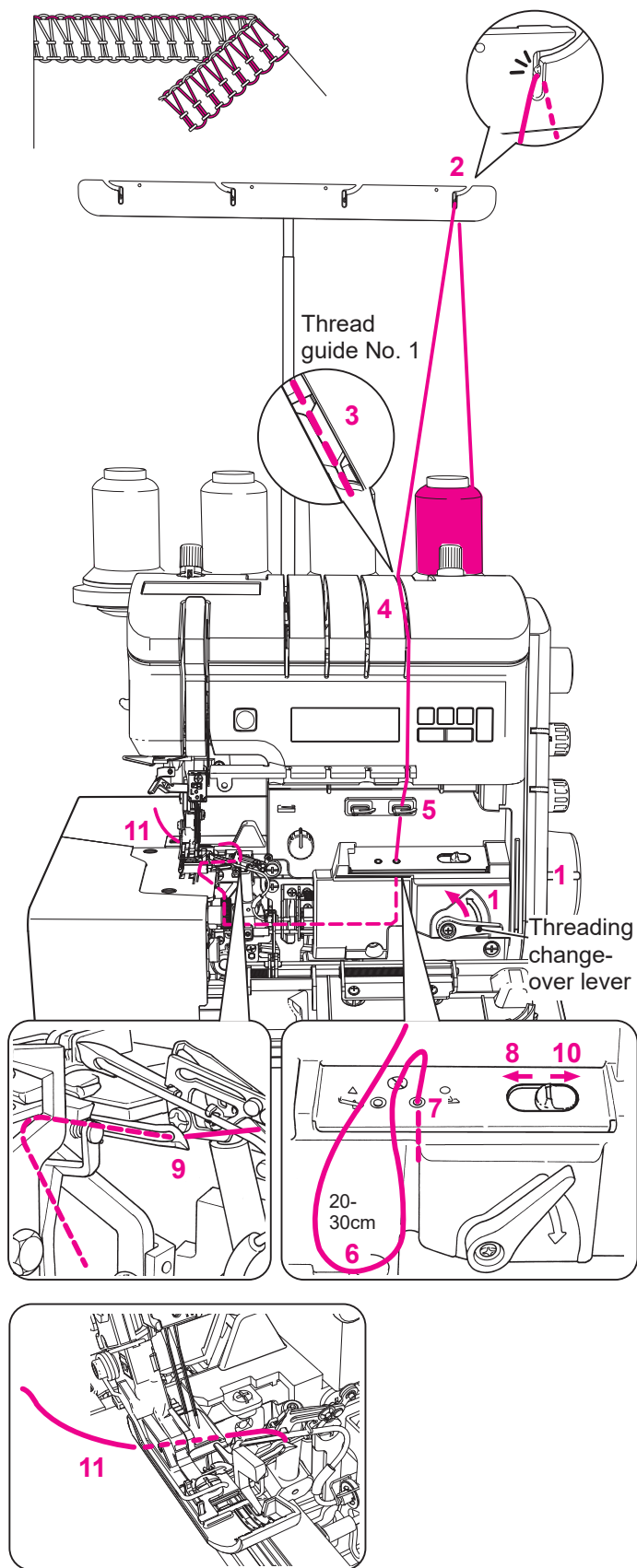
Bring the thread toward you along the groove.

Stitch chart

Stitch	Stitch width	Stitch changeover knob	Basic settings
4-Thread overlock with integrated safety seam 	5-7.5 mm, right and left needles	A	Stitch length: 2.5 Cutting width: 2.5-5.0 (Left needle 4.5-7.0) Differential: N-2 (knits) 0.7-N (wovens)
3-Thread overlock Left needle  Right needle 	5-7.5 mm, left needle	A	Stitch length: 2.5 Cutting width: 2.5-5.0 (Left needle 4.5-7.0) Differential: N-2 (knits) 0.7-N (wovens)
	3-5.5 mm, right needle	B	
3-Thread narrow seam 	2 mm, right needle	C	Stitch length: 0.7-1.5 Cutting width: 2.5-3.5 (Left needle 4.5-5.5) Differential: N-0.7 Stitch lever: roll hem
3-Thread roll hem 	2 mm, right needle	D	Stitch length: 0.7-1.5 Cutting width: 2.5-3.5 (Left needle 4.5-5.5) Differential: N-0.7 Stitch lever: roll hem
2-Thread Flatlock Left needle  Right needle 	5-7.5 mm, left needle	A *1	Stitch length: 2-3 Cutting width: 2.5-5.0 (Left needle 4.5-7.0) Differential: N Upper looper converter
	3-5.5 mm, right needle	B *1	
2-Thread overlock Left needle  Right needle 	5-7.5 mm, left needle	A *1	Stitch length: 2.5 Cutting width: 2.5-5.0 (Left needle 4.5-7.0) Differential: N Upper looper converter
	3-5.5 mm, right needle	B *1	

*1 If you want to sew with two threads, use the 2/3-thread changeover attachment and re-thread the needles. (Refer to page 35)

Threading 4/3 Thread OL



Lower looper thread, red markings



Switch the machine off (power switch "0")

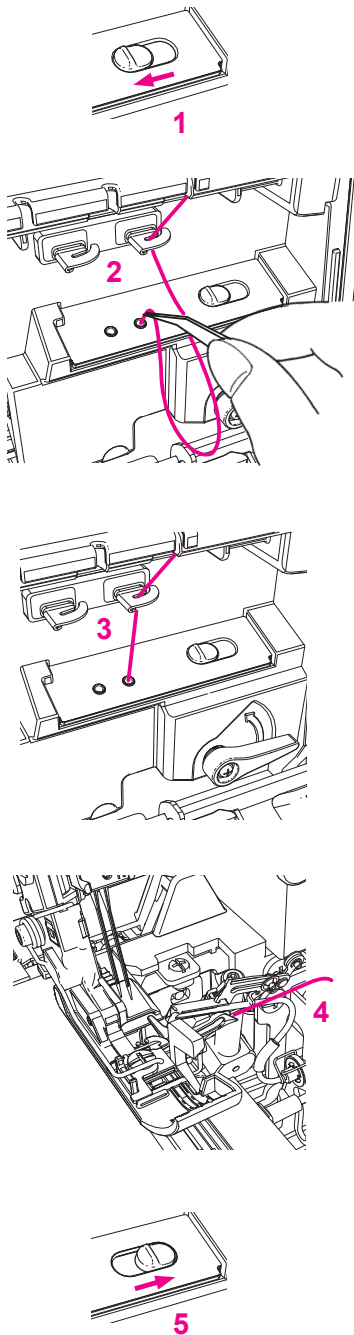
Place the spool on the spool holder pin as illustrated.

- (1) Raise the threading changeover lever in the direction of the arrow.
Turn the handwheel toward you until it clicks.
(The threading pipe is connected.)
- (2) Thread the thread guide which is located just above the spool from back to front.
At this time, fit the thread firmly in the groove.
- (3) Thread the thread guide No. 1.
- (4) Pull the thread by both hands and thread the thread guide.
- (5) Thread the thread guide.
- (6) Pull out the thread by 20 to 30 cm to let it sag inside the looper cover.
- (7) Pass the top end of thread through threading hole by 1 to 2 cm.
- (8) Turn ON the air-control switch. (Slide the air switch to the left.)
- (9) Check to be sure that the thread comes out from the top end of the lower looper.
- (10) Turn OFF the air-control switch. (Slide the air switch to the right.)
- (11) Bring the pulled-out thread down from above the upper looper to route it under the presser foot and pull it out from its rear.

Note:

If the upper or lower looper thread breaks during sewing, re-threading is necessary. Remove both the broken and unbroken looper threads. Then, set the threading change-over lever to the threading side to carry out threading of the upper and lower loopers.

Threading 4/3 Thread OL

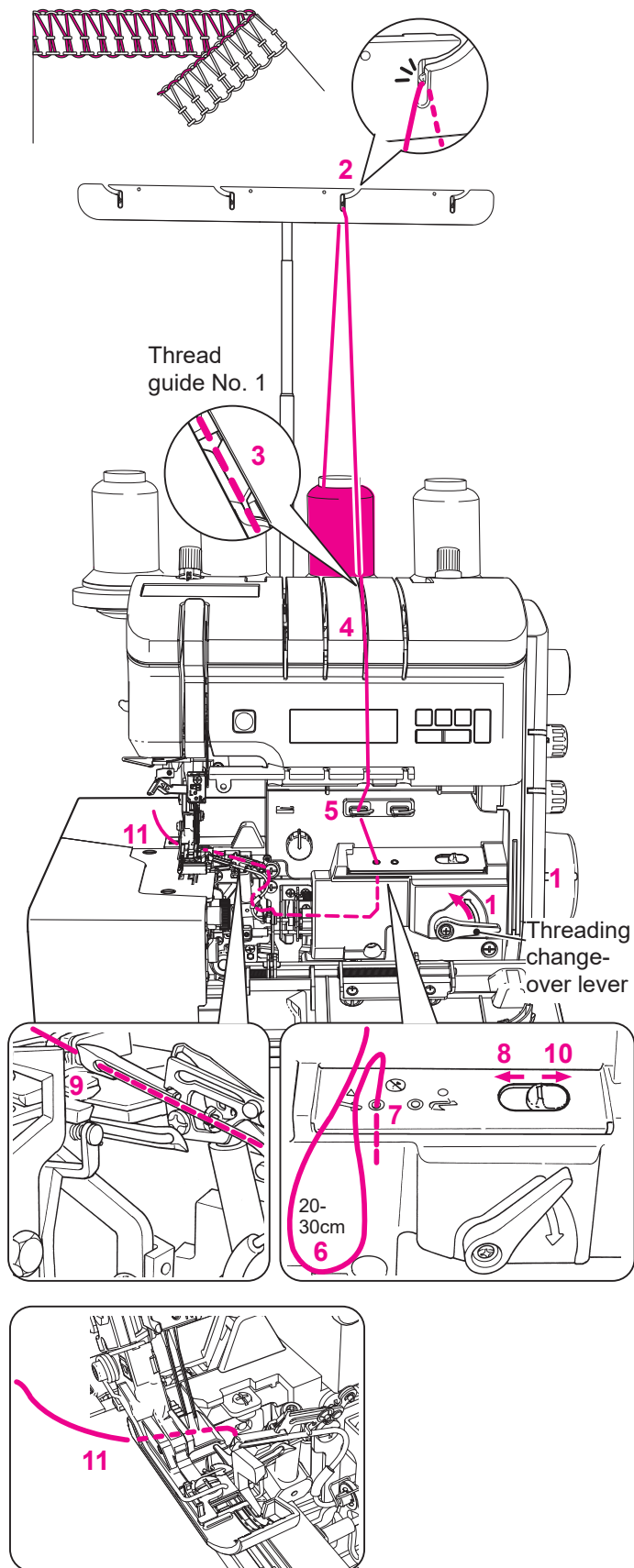


■ Another method of threading the loopers

It is also possible to automatically thread the loopers even if you transpose the aforementioned steps (7) and (8). Leave the air-control switch placed in ON and bring the tip of the thread close to the threading hole. Then, the thread will be sucked into the threading hole and the loopers will be threaded.

1. Place the air-control switch in ON.
2. Bring the tip of the thread close to the threading hole.
 - * At this time, pinch the tip of the thread short.
3. The thread is sucked into the threading hole.
4. The loopers are threaded.
5. Turn OFF the air-control switch.

Threading 4/3 Thread OL



Upper looper thread, blue markings



Switch the machine off (power switch "0")

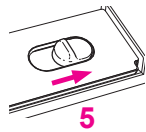
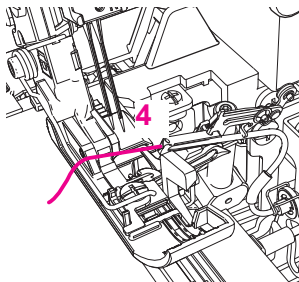
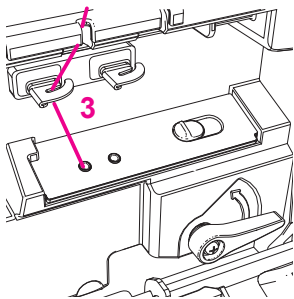
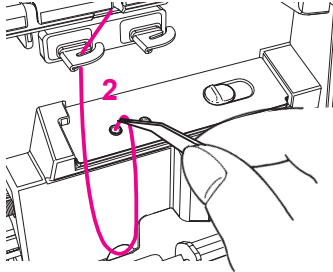
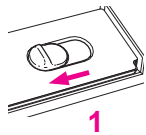
Place the spool on the spool holder pin as illustrated.

- (1) Raise the threading changeover lever in the direction of the arrow.
Turn the handwheel toward you until it clicks.
(The threading pipe is connected.)
- (2) Thread the thread guide which is located just above the spool from back to front.
At this time, fit the thread firmly in the groove.
- (3) Thread the thread guide No. 1.
- (4) Pull the thread by both hands and thread the thread guide.
- (5) Thread the thread guide.
- (6) Pull out the thread by 20 to 30 cm to let it sag inside the looper cover.
- (7) Pass the top end of thread through threading hole by 1 to 2 cm.
- (8) Turn ON the air-control switch. (Slide the air switch to the left.)
- (9) Check to be sure that the thread comes out from the top end of the upper looper.
- (10) Turn OFF the air-control switch. (Slide the air switch to the right.)
- (11) Pull the thread by approximately 10 cm to route it under the presser foot and pull it out from its rear.

Caution:

After you have completed threading of the upper and lower loopers, be sure to return the threading changeover lever to its home position. If not, the looper cover cannot be closed.

Threading 4/3 Thread OL



■ Another method of threading the loopers

It is also possible to automatically thread the loopers even if you transpose the aforementioned steps (7) and (8).

Leave the air-control switch placed in ON and bring the tip of the thread close to the threading hole. Then, the thread will be sucked into the threading hole and the loopers will be threaded.

1. Place the air-control switch in ON.
2. Bring the tip of the thread close to the threading hole.
* At this time, pinch the tip of the thread short.
3. The thread is sucked into the threading hole.
4. The loopers are threaded.
5. Turn OFF the air-control switch.

Threading 4/3 Thread OL

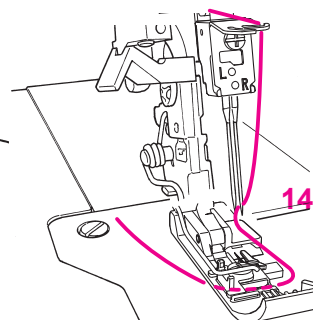
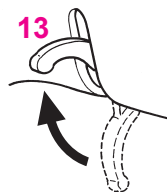
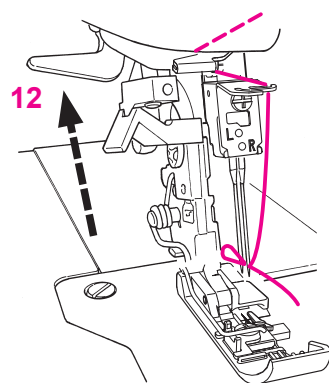
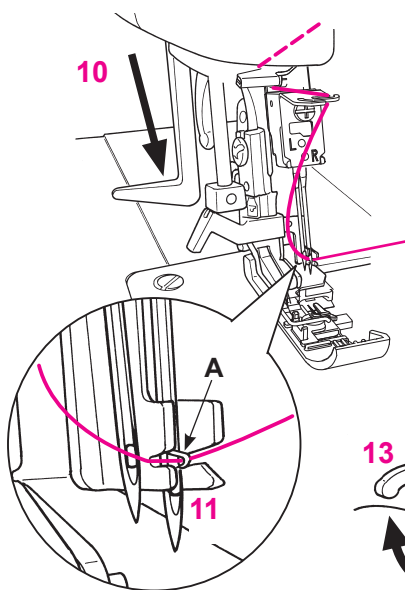
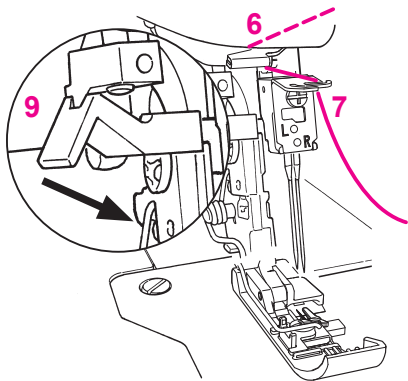
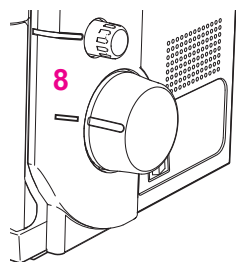
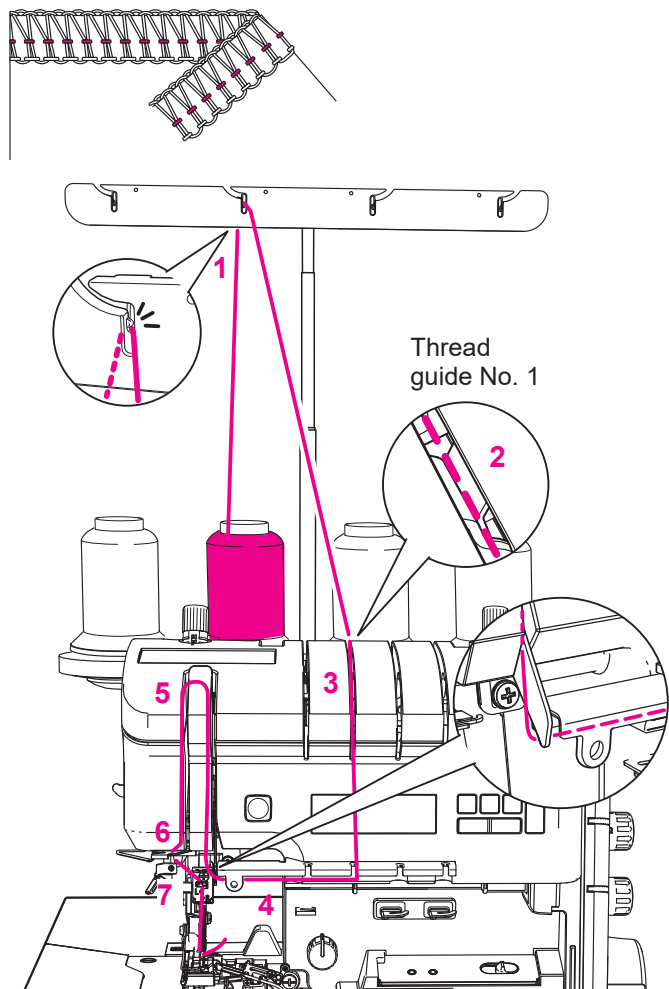
Right-hand needle, green markings



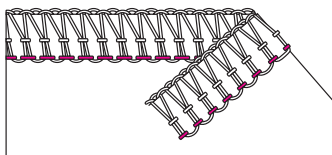
Switch the machine off (power switch "0")

Place the spool on the spool holder pin as illustrated.

- (1) Thread the thread guide which is located just above the spool from back to front.
At this time, fit the thread firmly in the groove.
- (2) Thread the thread guide No.1
- (3) Route the thread in the groove.
- (4) Put the thread under the thread guide plate.
- (5) Thread the thread take-up cover (marked in green)
- (6) Thread the thread guide.
- (7) Thread the needle bar thread guide (right-hand side).
- (8) Turn the handwheel toward you to align the "□" mark with the "■" mark on the side face of the side cover.
Then, lower the presser foot.
- (9) Set the right-/left-needle changeover lever to the right needle side.
Be sure to move the right-/left-needle changeover lever to the right needle side until it will go no further.
- (10) Lower the threading lever as far as it goes.
- (11) Push the thread into section A with both hands.
- (12) The thread automatically passes through the needle eyelet by pushing the threading lever upward.
- (13) Lift the presser foot.
- (14) Pull out the thread by approximately 10 cm to route it under the presser foot and draw it out from its rear.



Threading 4/3 Thread OL



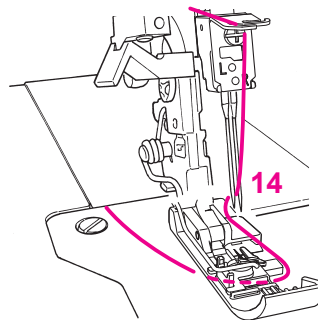
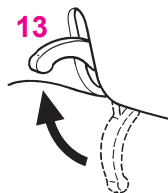
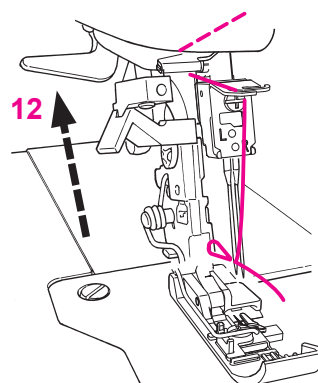
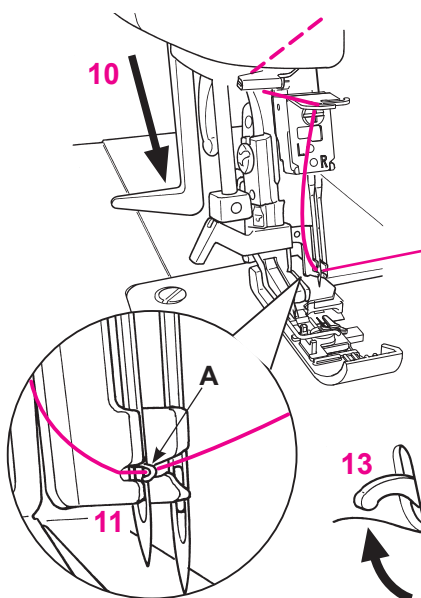
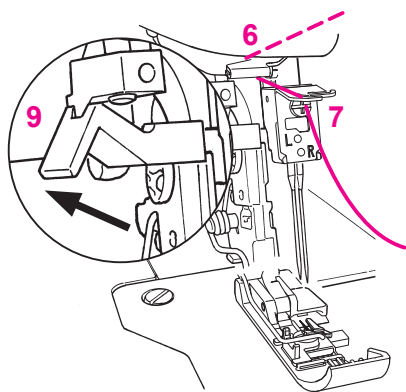
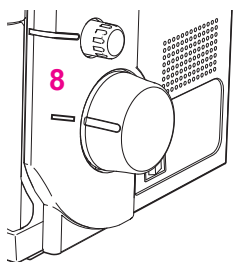
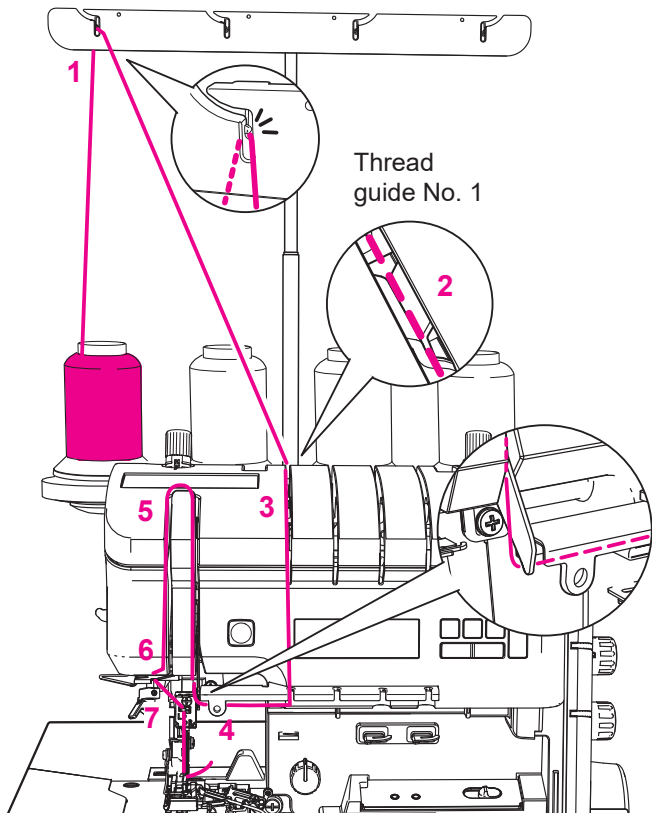
Left-hand needle, beige markings



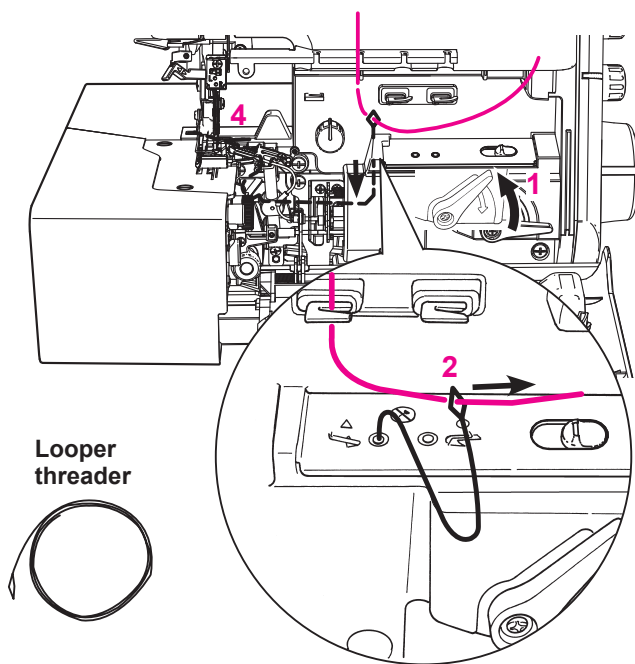
Switch the machine off (power switch "0")

Place the spool on the spool holder pin as illustrated.

- (1) Thread the thread guide which is located just above the spool from back to front.
At this time, fit the thread firmly in the groove.
- (2) Thread the thread guide No.1
- (3) Route the thread in the groove.
- (4) Put the thread under the thread guide plate.
- (5) Thread the thread take-up cover (marked in beige)
- (6) Thread the thread guide.
- (7) Thread the needle bar thread guide (left-hand side).
- (8) Turn the handwheel toward you to align the "□" mark with the "■" mark on the side face of the side cover.
Then, lower the presser foot.
- (9) Set the right-/left-needle changeover lever to the left needle side.
Be sure to move the right-/left-needle changeover lever to the left needle side until it will go no further.
- (10) Lower the threading lever as far as it goes.
- (11) Push the thread into section A with both hands.
- (12) The thread automatically passes through the needle eyelet by pushing the threading lever upward.
- (13) Lift the presser foot.
- (14) Pull out the thread by approximately 10 cm to route it under the presser foot and draw it out from its rear.



Threading 4/3 Thread OL



How to use the looper threader

To thread woolly thread or any thread that cannot pass smoothly through the threading holes, it is recommended either to use the “looper threader” supplied in the accessory bag, or to prepare an approximately 30cm long spun thread or the like, tie it at the end of the woolly thread, pass the spun thread through the threading hole and pull it until the woolly thread passes through the hole.

(The looper threader can also be used as a cleaning tool for pipes.)

1. Raise the threading changeover lever in the direction of the arrow. Turn the handwheel toward you until it clicks.
2. Pass the thread through the looper threader ring.
3. Pass the looper threader through the looper by hand until it comes out from the end of the looper.
4. When the looper threader comes out from the end of the looper, draw it out until thread comes out.

Caution:

Do not place the air-control switch in ON.

Note:

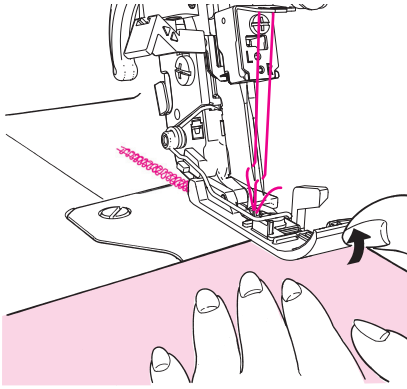
If the upper or lower looper thread breaks during sewing, re-threading is necessary. Remove both the broken and unbroken looper threads. Then, set the threading changeover lever to the threading side to carry out threading of the upper and lower loopers.

Caution:

After the completion of threading of the upper and lower loopers, return the threading changeover lever to its home position. If not, the looper cover cannot be closed.



Trial sewing




Sewing test

Sew two pieces of the material together. Then, check whether or not the finished seam is correct.

1. Close the looper cover. Turn the power on.
2. Check that the upper knife is raised.
3. Lower the presser foot.
4. While holding the thread trailing from the rear of the presser foot by hand, depress the controller to produce chain-off thread by 6 to 7 cm.
5. Raising the front part of the presser foot with fingers, put the fabric under the presser foot until this side of the upper knife is reached.
6. Start the sewing machine.
7. After the completion of sewing, cut the chain-off thread.

How to cut the chain-off thread

① Press the chain-off thread cutting button

After the completion of sewing, press  to cut the chain-off thread.

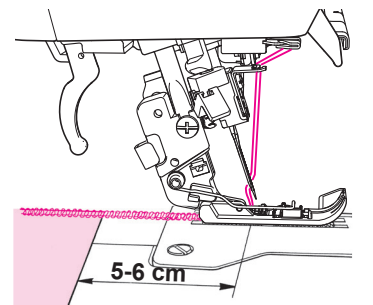
② Enable the automatic chain-off thread cutting function in prior

Press .

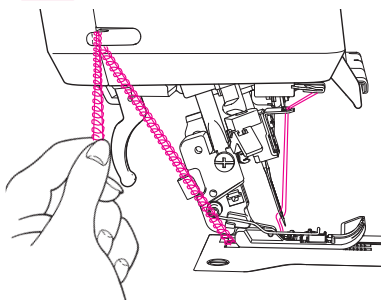
Refer to page 22 for details.

③ Cut the chain-off thread with the thread cutter

1. After the completion of sewing, produce chain-off thread by 5 to 6 cm.



2. Put the chain-off thread over the thread trimming blade for trimming.



④ Cut the chain-off thread with the upper knife

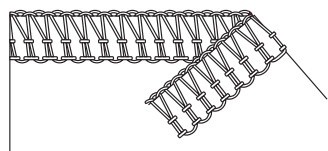
Pull the chain-off thread and bring it toward you. Then, cut it with the upper knife.

⑤ Depress the foot switch

After you have completed sewing, depress the foot switch to cut the chain-off thread.

* In order to cut the chain-off thread by depressing the foot switch, it is necessary to set the function of the foot switch accordingly in advance. (Refer to page 9)

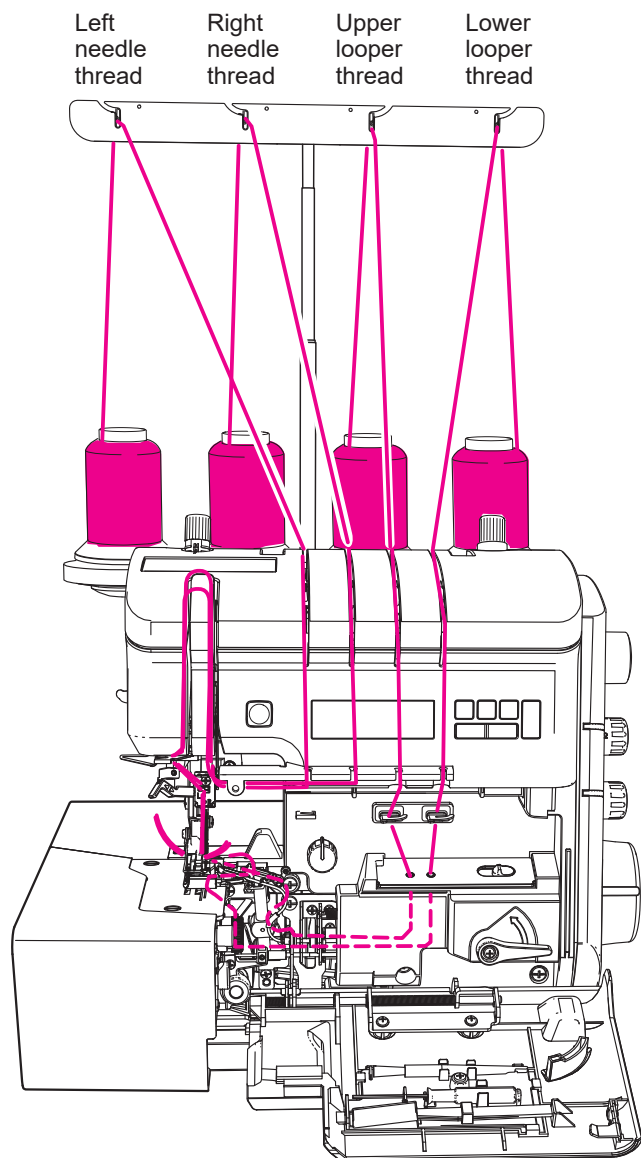
Practical Sewing - Overlock



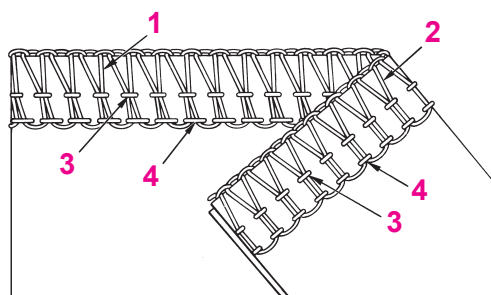
2-needle, 4-thread overlocking

CAUTION

Be sure to turn OFF the power switch before removing or attaching the needle.



1. Attach both of two needles. (It is the standard state of the sewing machine.)
2. Set the stitch changeover knob to "A".
3. Thread the upper and lower loopers and the right and left needles. (Refer to pages 25 to 30)
4. Adjust the stitch length adjustment dial in accordance with the type of the fabric to be sewn. (Standard 2.5) (Refer to page 17)
5. Adjust the cutting width adjusting dial in accordance with the type of the fabric to be sewn. (Refer to page 17)




Correctly finished stitches

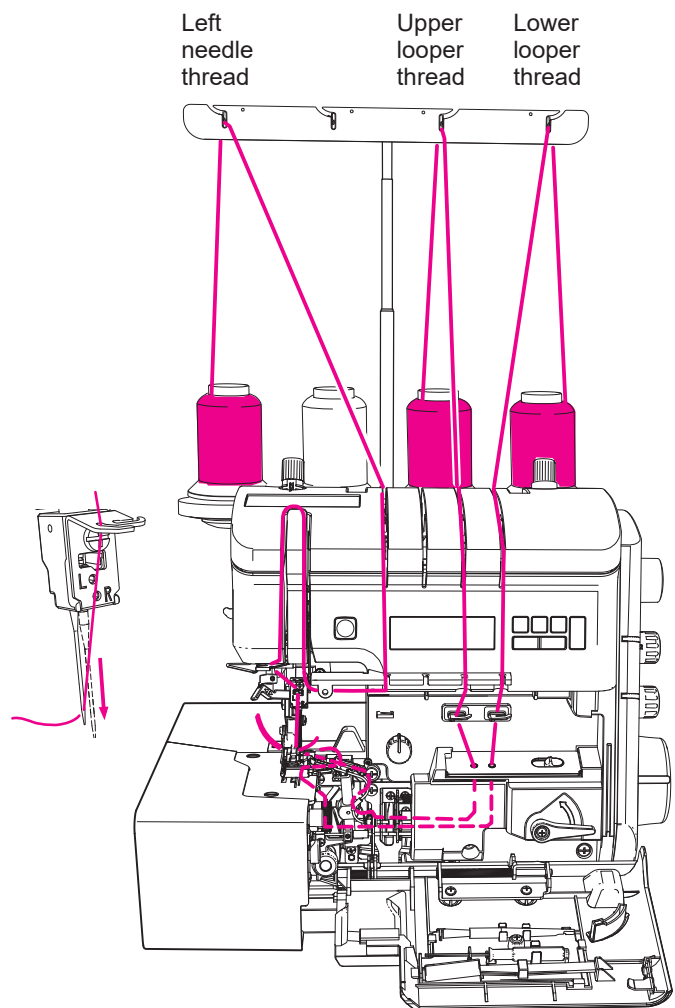
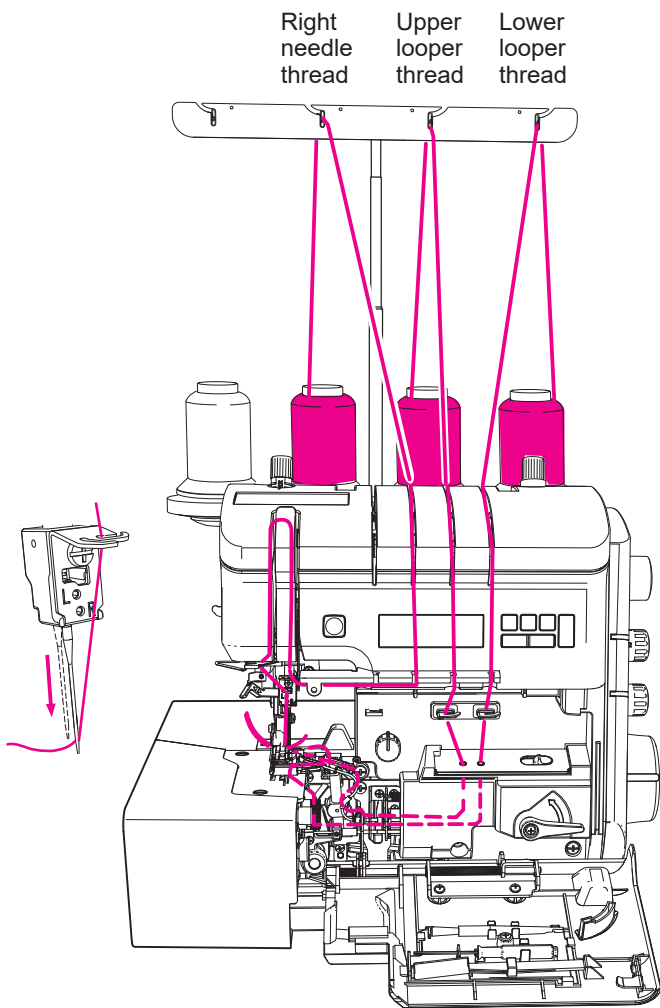
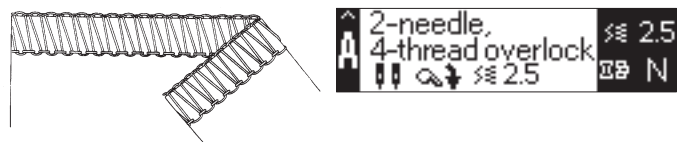
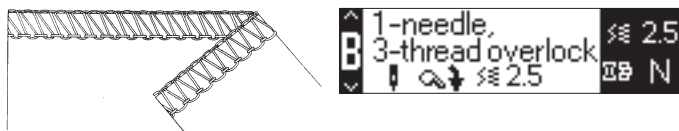
1. Upper looper thread (blue).
2. Lower looper thread (red).
3. Right-hand needle thread (green).
4. Left-hand needle thread (beige).

Perfect stitch formation is when both looper threads meet at the fabric edge. The needle threads form straight stitches for a stretchy and durable seam.

Practical Sewing - Overlock

1-needle 3-thread overlocking

 CAUTION	<p>Be sure to turn OFF the power switch before removing or attaching the needle.</p>
--	--



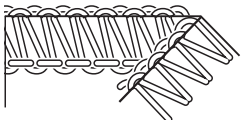
For wrapped overlocking with the right needle (3 to 5.5 mm in width)

1. Remove the left needle. (Refer to page 15)
2. Set the stitch changeover knob to "B".
3. Thread the upper looper, lower looper and right needle. (Refer to pages 25 to 29)

For wrapped overlocking with the left needle (5 to 7.5 mm in width)

1. Remove the right needle. (Refer to page 15)
2. Set the stitch changeover knob to "A".
3. Thread the upper looper, lower looper and left needle. (Refer to pages 25 to 28 and 30)

Practical Sewing - Overlock



1-needle 2-thread overlocking



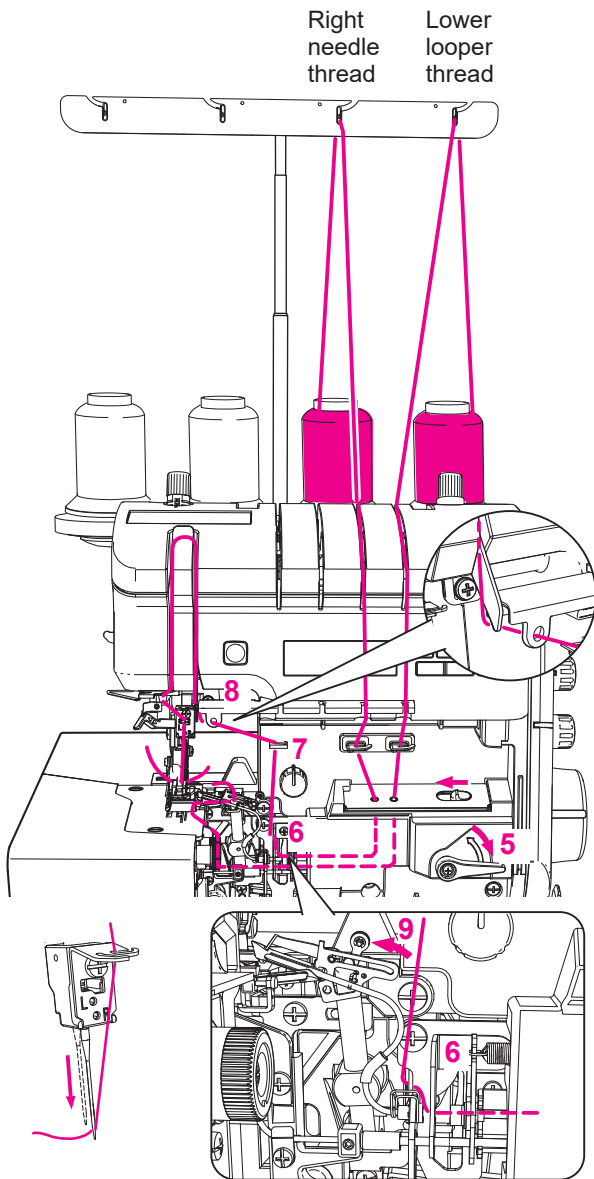
Be sure to turn OFF the power switch before removing or attaching the needle.

It is possible to carry out overcasting, decorative stitching (unfolded seam stitching) and 2-thread hemming with two threads by threading the right needle and lower looper.

Use the 2/3 thread changeover attachment.

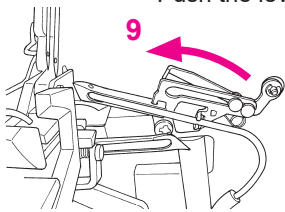
1. Remove the left needle. (Refer to page 15)
2. Set the stitch changeover knob to "B".
3. Thread the lower looper. The threading path of the lower looper is same as the standard stitching (2-needle 4-thread). (Refer to page 25)
4. The threading path of the needle thread is same as that of the upper looper thread up to the halfway point. Then, it is changed to the threading path of the needle thread. (Refer to page 27)
5. When the thread comes out of the top end of the upper looper, lower the threading changeover lever. (The threading pipe will come off.)
6. Pull out the thread from the joining section of the threading pipe and pass it through the hole located just above the joining section.
7. Thread the take-up thread guide.
8. Pass the thread through the hole from this side and pass it along the threading path in the same manner as the right needle thread. (Refer to page 29)
9. Push the 2/3 thread changeover attachment mounted to the upper looper to the left.

Check to make sure that the projection of the 2/3 thread changeover attachment is fitted in the hole at the top end of the looper. By taking the aforementioned procedure, the upper looper thread will not be fed, but the lower looper thread will be fed to produce 2-thread stitches.

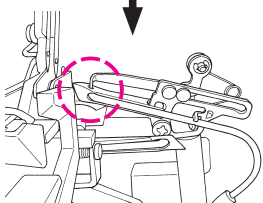


2/3-thread changeover attachment

Push the lever to the left.

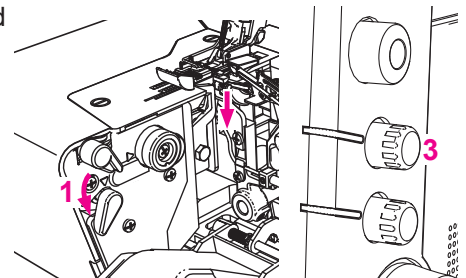


Check to make sure that the projection is fitted in the hole.



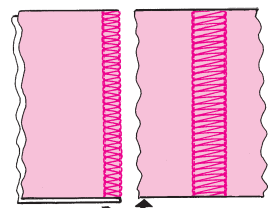
Decorative stitching (open seam stitching)

1. Deactivate the upper knife.
2. Use a decorative thread as the lower looper thread. (Filament thread is best-suited as the needle thread. However, spun thread can also be used.)
3. Set the stitch length adjustment dial to "2 to 2.5".




4. Fold the material in two. Carry out sewing with a preset overlocking width.
5. After the completion of sewing, unfold the material.

* It is recommended to sew the fabric while allowing an excess of thread to be provided at the edge of the fabric to produce beautifully-finished seams.



Practical Sewing - Overlock

Rolled hemming and narrow overlocking

 CAUTION	Be sure to turn OFF the power switch before removing or attaching the needle.
--	--

The sewing machine incorporates the hemming device to enable roll hemming and narrow overlocking. The sewing machine is able to overlock the material edges such as bottoms and sleeve cuffs beautifully while automatically folding them inwardly.

● Roll hemming

The roll hemming is the stitch system that laps the material edge with the upper looper thread.

Preparation for hemming (roll hemming)

1. Remove the left needle. (Refer to page 15)
2. Set the stitch changeover knob to "D".

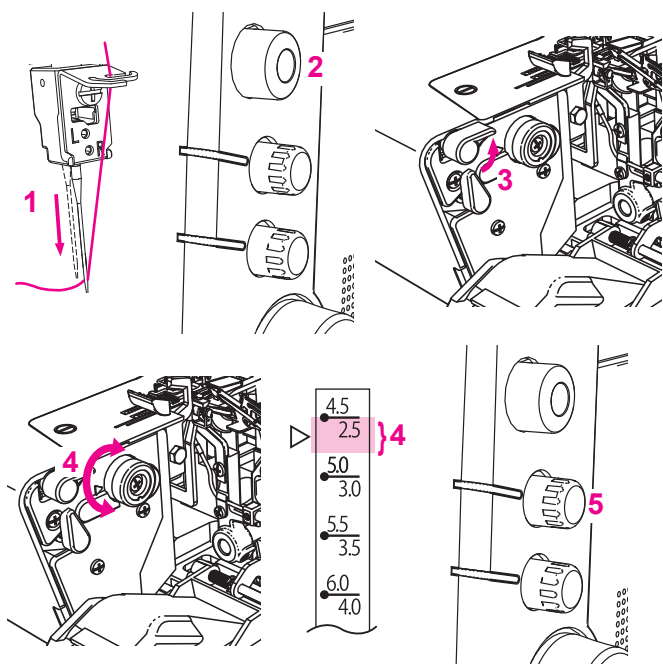
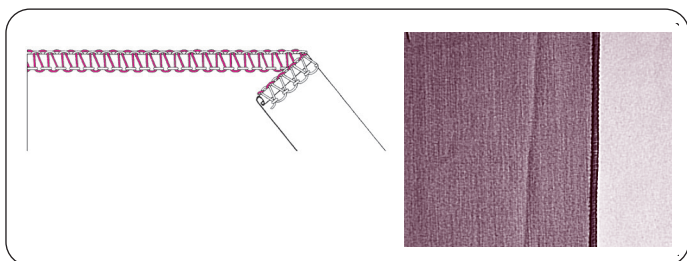
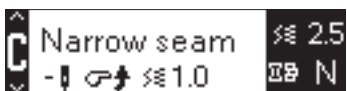
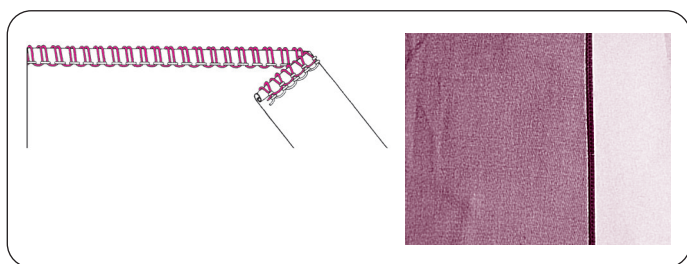
● Narrow overlocking

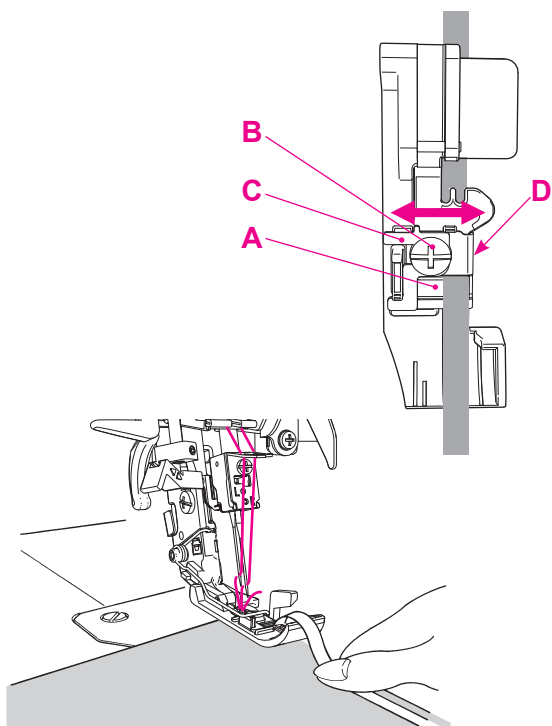
The narrow overlocking is the overlock stitch system overlocking width of which is narrower than the standard one.

Preparation for narrow overlocking

1. Remove the left needle. (Refer to page 15)
2. Set the stitch changeover knob to "C".

3. Install the right needle only.
4. Pull the overlocking width changeover knob toward you to lower the overlocking claw.
5. Set the cutting width adjusting dial at the scale mark "2.5 to 3.5".
6. When using filament thread or woolly nylon thread, set the stitch length adjustment dial (stitch length) at "0.7 to 1.5".

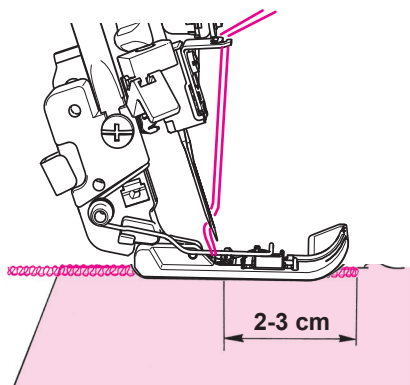




Sewing in tape

The standard presser foot is equipped with a tape guide. A tape can be sewn into the shoulder or side seams of garments made from knits or stretch fabrics to prevent stretching.

1. Turn the handwheel toward you to bring the needle to its upper end.
2. Lift the presser foot. Pass the tape through the tape guide groove **A** and pull it out until the rear side of the presser foot is reached. Then, lower the presser foot.
3. Loosen the guide adjustment screw **B** with the accessory T-screwdriver. Adjust the tape guide **C** to the tape width (**D**) and tighten the guide adjustment screw.
4. Turn the handwheel by hand to sew the tape by two or three stitches.
5. Place the material on which you want to sew the tape under the presser foot.
6. Sew the tape while lightly supporting the tape by hand.



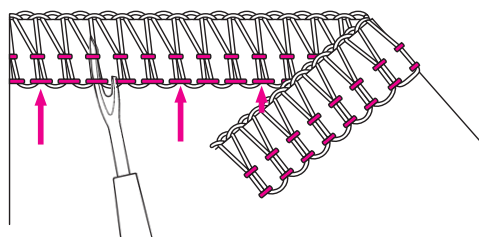
Thread breakage during sewing

Sew off immediately at an angle and remove the work. Re-thread.

If the upper or lower looper thread breaks during sewing, re-threading is necessary. Remove both the broken and unbroken looper threads. Then, set the threading lever to the threading side to carry out threading of the upper and lower loopers.

First thread the looper and then the needles.

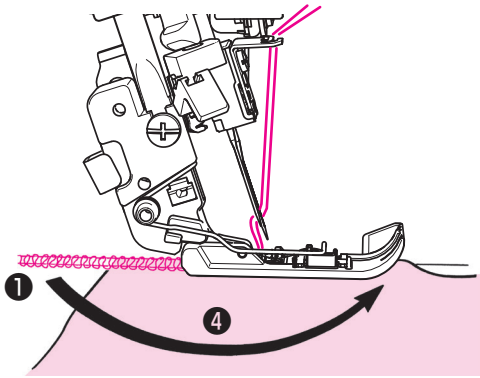
Start sewing again about 2 - 3 cm in front of the break.



Unpicking seams

Looper thread can be easily undone by cutting the right and left needle threads with a commercially available seam ripper at several points of the finished seam and removing them.

Practical Sewing - Overlock



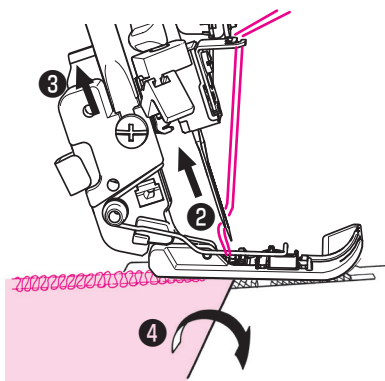
Securing thread ends at the beginning and end of sewing

Overlock stitches can unravel if the threads are not secured at the beginning and end of sewing. Secure the thread ends.

Securing thread ends with the overlock machine

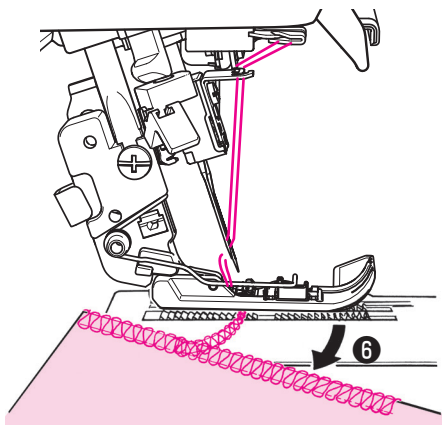
1) Securing thread ends at the beginning of sewing

1. Pull out chain-off thread produced at the beginning of sewing by 3 to 4 cm.
 2. Sew the material by two or three stitches.
 3. Lower the needle and raise the presser foot.
 4. Draw out the chain-off thread toward you and place it between the presser foot and the material from the left side.
 5. Lower the presser foot and sew the chain-off thread on the material.
- * If you do not sew the chain-off thread on the material, produce a longer chain-off thread at the beginning and end of sewing. Then, make a knot of the chain-off thread or put the chain-off thread under the seam with a wool needle.
- * When stitches cross each other, chain-off thread is automatically secured.



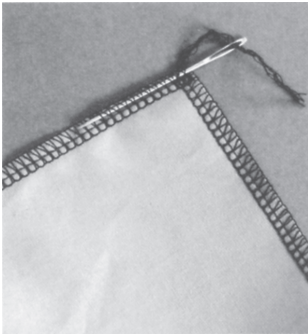
2) Securing thread ends at the end of sewing

- * Place the automatic chain-off thread cutting function in OFF. (Refer to page 22)
1. Stop the needle at the end of material.
 2. Lift the needle.
 3. Raise the presser foot.
 4. Turn the material upside down. Lower the needle so that it enters the outside edge of finished seam.
 5. Lower the presser foot.
 6. Carry out sewing to produce chain-off thread by 2 to 3 cm taking care not to allow the finished seam to come in contact with the upper knife. Remove the material.
 7. Secure the chain-off thread.



Practical Sewing - Overlock

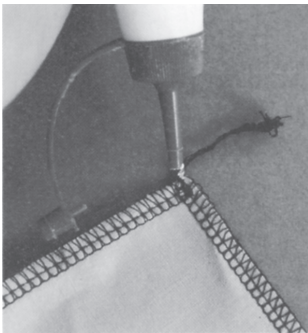
A



In the case of securing thread ends with a wool needle: (A)

Leave a 2 to 3 cm long chain-off thread at the beginning and end of sewing. Put the chain-off threads in the finished seam by means of a wool needle.

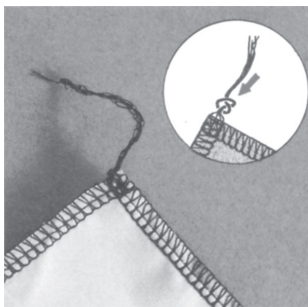
B



In the case of securing thread ends with glue for handicraft: (B)

Apply a little amount of glue for handicraft at the root of chain-off thread on the material. Cut out the excess of chain-off thread after the glue has dried.

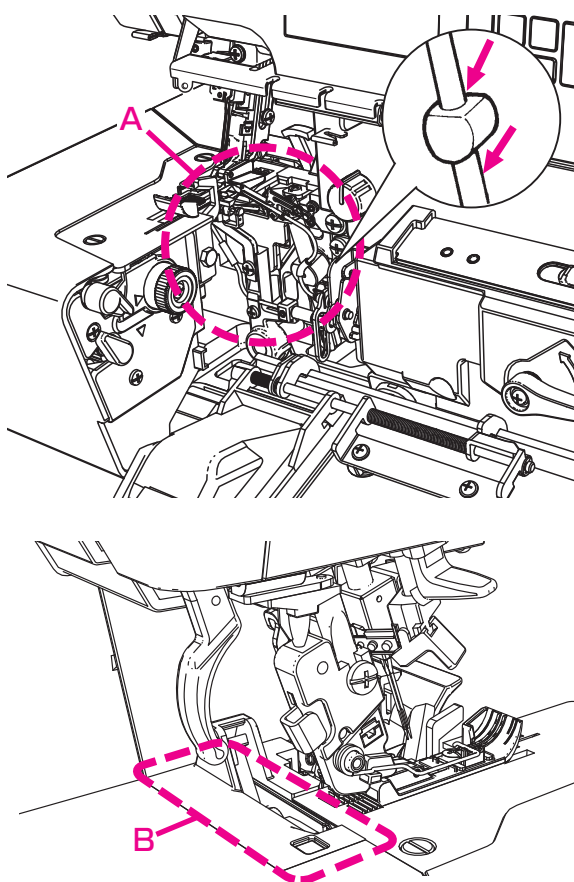
C



Securing thread ends by making a knot: (C)

Bind all threads together and make a knot at the nearest position of the material. Then, cut out the excess of the threads.

Maintenance



Cleaning and lubricating

CAUTION

Turn off the power switch and disconnect the power plug from the wall outlet before starting cleaning or lubricating the machine.

As you use the sewing machine, lint is likely to accumulate in the sewing machine. It is necessary to remove the lint periodically.

Since lint accumulates particularly in the sections around the throat plate and lower knife, remove the lint from those sections on a periodic basis. (A)

When cleaning the pipes of the upper and lower loopers, use the “looper threader” supplied in the accessory bag. (Refer to page 31 for how to use it.)

You may concern about the sewing noise, although not frequently, since this sewing machine uses special materials in critical sections. In such a case, apply one or two drops of oil to the points indicated with an arrow in the figure.

Dust and lint are likely to accumulate around the chain-off thread cutter. So, remove them regularly with the accessory cleaning brush supplied with the sewing machine.

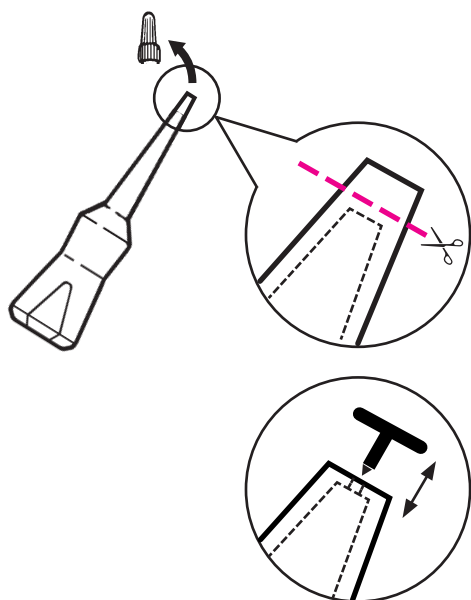
Precautions to be taken when handling oil

- * In the event the oil gets in the eye or adheres on skin, immediately wash it off in order to prevent irritation and rash.
- * If swallowed accidentally, immediately seek for medical advice in order to prevent diarrhea and vomiting.
- * Keep the oil away from children.
- * Oil disposal is obliged by legislation. Dispose of the oil properly in compliance with the relevant legislation.

How to use an accessory oiler

CAUTION

Be careful not to hurt your hands while working.

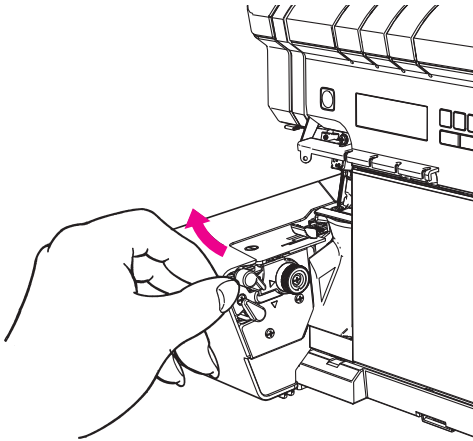


When you use the oiler for the first time, remove the cap and cut the tip of the oiler spout slightly with a pair of scissors. Then, make a hole in the tip with a pushpin or the like.

* Be aware that, if you cut the tip of the oiler spout excessively, the hole will become larger to make it hard to supply a constant amount of oil.

1. Cut the tip with a pair of scissors.
 - * It is important to leave the resin-sealed portion (approximately 0.5 mm) instead of cutting the tip until the penetrated portion is reached.
2. Make a hole with a pushpin or the like.

Maintenance



To carry out cleaning with the cloth plate opened



CAUTION

Be sure to turn off the power switch before opening the cloth plate.









- **How to open the cloth plate**
Push this side of the cloth plate to the left to open it.
- **How to close the cloth plate**
Push the cloth plate toward the sewing machine.

Replacing the knife

Since the lower knife blade and the chain-off thread cutter blade are made of special carbide material, it is not normally necessary to replace them. However, they should be replaced when the blade edge is damaged.

For replacement of the lower knife blade, upper knife blade and the chain-off thread cutter blade, consult the distributor where you have purchased your sewing machine.

Error display

Display	Description of error	Corrective measure
	When you have depressed the controller while the presser foot is left in its upper position.	Lower the presser foot.
	When the chain-off thread cutter has failed to return to its home position and stopped.	Remove any objects caught in the path of the chain-off thread cutter, if any, and press the chain-off thread cutting button. If the error persists after you have taken the aforementioned corrective measure, consult the distributor where you have purchased your sewing machine.
	When some object is caught in the path of the chain-off thread cutter and the cutter is unable to cut chain-off thread.	Remove the object that is caught in the path of the chain-off thread cutter.
	When you have tried to cut chain-off thread with the material placed on the path of the chain-off thread cutter.	Remove the material.
	When an excessive load is applied to the motor. (In such a case that the controller is held depressed for five minutes or more)	Wait for three seconds. Then, the screen will return to the previous screen.
	When you have depressed the controller with the cloth plate left opened.	Close the cloth plate.
	When the motor has locked up.	Wait for three seconds. Then, the screen will return to the previous screen.
	When the sewing machine malfunctions.	Consult the distributor where you have purchased your sewing machine.
		

Trouble shooting guide

Problem	Cause	Solution	Page
The machine does not sew:	• Looper or cloth plate cover is open.	• Close the looper or the cloth plate cover.	12
	• The main switch is not on.	• Switch machine on. (Main switch to "I")	12
	• The machine is not plugged in.	• Insert plug into main socket.	11
Fabric does not feed evenly	• Differential feed is wrongly adjusted.	• Check the differential feed setting.	19
	• Presser foot pressure is too low.	• Adjust the presser foot pressure.	21
Thread breaks	• The machine is not threaded correctly.	• Check the threading.	25
	• Needles are incorrectly inserted.	• Insert needles fully into needle clamp with flat side to the back.	15
	• Wrong needles.	• Use needle system 130/705H or JLx2.	15
	• Stitch setting is wrong.	• Check the stitch setting.	9
Needles break	• Needles are bent or blunt, points are damaged.	• Replace needles.	16
	• Needles are not inserted correctly.	• Insert needles fully into needle clamp with flat side to the back.	15
	• Fabric was pulled while sewing.	• Guide fabric gently with both hands.	--
	• Stitch setting is wrong.	• Check the stitch setting.	9
Skipped stitches	• Needles are bent or blunt.	• Replace the needles.	15
	• Wrong needles used.	• Use needle system 130/705H or JLx2.	15
	• Presser foot pressure is too low.	• Increase presser foot pressure.	21
	• Stitch setting is wrong.	• Check the stitch setting.	9
Poor stitch formation	• Threads are not correctly between the thread guide No. 1.	• Check if thread is fitting between the thread guide No. 1.	23
		• Raise the presser foot and pull the thread.	23
	• Thread has got caught.	• Check threading path of each thread.	25
	• Machine is incorrectly threaded.	• Check threading path of each thread.	25
	• Stitch setting is wrong.	• Check the stitch setting.	9
Seams flute or wave, especially when sewing knits	• Fabric was pulled while sewing.	• Guide fabric gently.	--
	• Presser foot pressure is too tight.	• Reduce presser foot pressure.	21
	• Differential feed is set incorrectly.	• Adjust differential feed to N - 2.	19
Seams pucker	• Differential feed is set incorrectly.	• Adjust differential feed to 0.7 - N.	19
Fabric edges curl	• Too much fabric is in the stitch.	• Reduce cutting width.	17
	• Stitch selection lever is on roll hem.	• Set selection lever to overlock.	20
Thread loops are too loose	• Too little fabric in the stitch.	• Increase the cutting width.	17

Trouble shooting guide

Problem	Cause	Solution	Page
Motor abnormalities	<ul style="list-style-type: none"> Noise is heard. Motor does not turn at all. Sparks are abnormally large. 	<ul style="list-style-type: none"> Replace the carbon brush with a new one. <p>(Note) Contact your distributor to ask for the replacement of the carbon brush.</p>	--
Needle eye-let cannot be threaded	<ul style="list-style-type: none"> The “■” marking on the side of the front cover is not aligned with the “□” marking on the handwheel. 	<ul style="list-style-type: none"> Turn the handwheel to align the “□” marking on it with the “■” marking on the side of the front cover. 	29,30
Upper and lower loopers cannot be threaded	<ul style="list-style-type: none"> When the handwheel is not fixed. When the thread is not inserted into the bottom of the threading hole. When the thread is not slacked before the threading hole. When the thread is caught somewhere in the thread path. When the pipe is clogged with lint. 	<ul style="list-style-type: none"> Raise the threading changeover lever and turn the handwheel to fix it. Insert the thread into the threading hole by 1 to 2 cm. Slack the thread before the threading hole. Remove the thread from the location where it has been caught. Thread the loopers by means of the looper threader supplied in the accessory bag to remove the lint in the pipe. 	25,27 25,27 25,27 -- 31

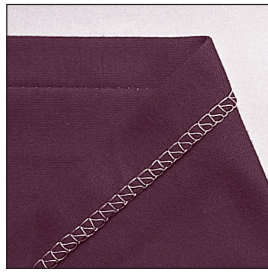
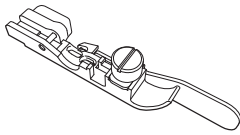
Technical data

Stitch choice	Over lock	2 needles, 2 loopers: 4 thread overlock with integrated safety seam 1 needle, 2 loopers: 3 thread overlock, flatlock roll hem 1 needle, 1 looper: 2 thread overlock, flatlock roll hem 2 needles, 1 looper: 3 thread super stretch
Needle system		SCHMETZ 130/705 H or JLx2
Seam width		3.5-5.5 mm (3/2 thread overlock) 5.5-7.5 mm (4 thread overlock / 3/2 thread overlock / 3 thread super stretch)
Stitch length		0.7-4 mm
Differential feed		No puckering 0.7 - N No waving or fluting in knits N - 2
Presser foot lifter		By lever : 6 mm / 8 mm By knee lifter : 6 mm
Handwheel		rotates forwards
Sewing speed		Up to 1500 sti/min
Weight		11.2 kg
Dimensions		350 (W) x 310 (D) x 340 (H) mm
Foot control model No.		JC-001 (USA and Canada only) JC-002 (220-240V)

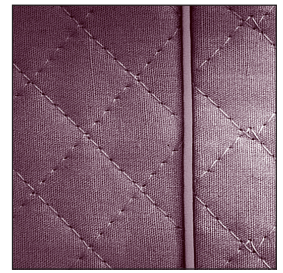
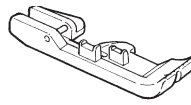
We reserve the right to make changes in the interest of technical progress.

Optional Accessories

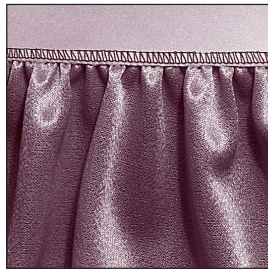
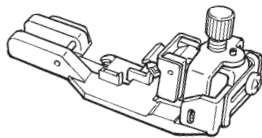
- Blind stitch presser foot
- Universal Blind Stitch Presser Foot



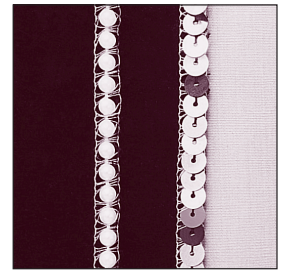
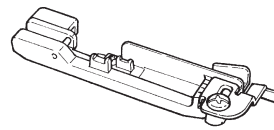
- Piping presser foot



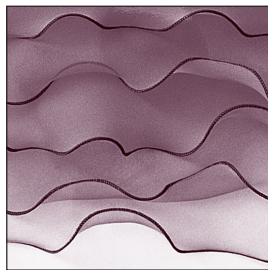
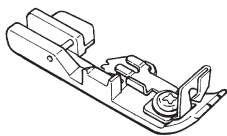
- Elasticator



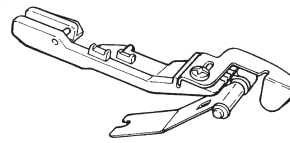
- Beading presser foot



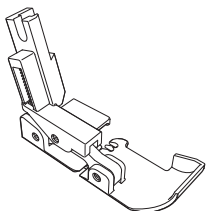
- Cording presser foot



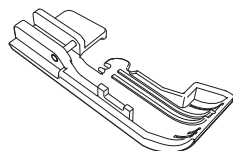
- Gathering presser foot



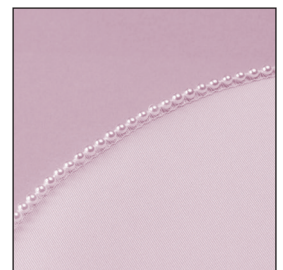
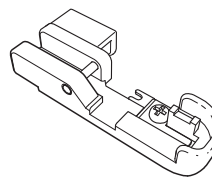
- Tractor foot



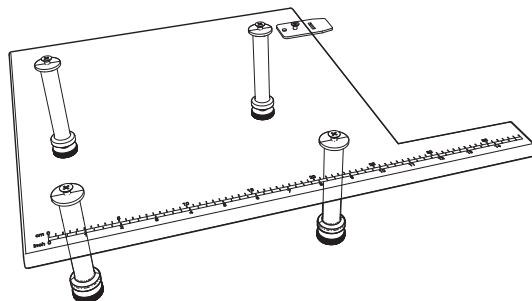
- Clear foot



- Curved Beading Presser Foot



- Wide table



Contact your local dealer.

“NORMAS DE SEGURIDAD IMPORTANTES”

Cuando se usa un aparato eléctrico deben respetarse las siguientes normas de seguridad:

“PELIGRO ___ para reducir el riesgo de electrochoque:”

1. No dejar nunca la máquina de punto cadeneta y cobertura sin vigilancia si ella está enchufada.
2. Después de coser y antes de los trabajos de mantenimiento, la máquina debe desconectarse quitando el enchufe de la red eléctrica.

“ADVERTENCIA ___ para reducir el riesgo de quemaduras, fuego, electrochoque o el riesgo de herir personas:”

1. Este aparato doméstico no es ningún juguete. Tener mayor cuidado si la máquina la usan los niños o si se usa cerca de ellos. Esta máquina de coser puede ser utilizado por niños de edades comprendidas entre 8 y más años y las personas con capacidades físicas, sensoriales o mentales, o con falta de experiencia y conocimiento si han sido supervisados o instruidos acerca del uso de la máquina de coser de una manera segura y entender los riesgos involucrados. Los niños no deben jugar con la máquina de coser. Limpieza y mantenimiento de usuario no puede estar por niños sin supervisión.
2. Usar esta máquina para los fines descritos en esta guía. Usar únicamente los accesorios recomendados por el fabricante. El cable de corriente eléctrica y el pedal de mando suministrados en la bolsa de accesorios son solamente para este modelo. No utilice un cable de corriente eléctrica y un pedal de mando que no sean los suministrados.
3. Nunca utilizar esta máquina en caso que el cable eléctrico o el conector están dañados, si la máquina no trabaja correctamente, si se ha caído o ha sido dañada o se ha mojado con agua. Llevar la máquina a reparar al centro autorizado, para ser examinada, reparada eléctrica o mecánicamente.
4. No bloquear las aperturas de refrigeración durante el uso de la máquina. Mantener estas aperturas abiertas, sin residuos o restos de ropa.
5. No acercar nunca los dedos a las partes móviles, sobre todo cerca de la aguja.
6. Usar siempre una placa-aguja original. Una placa-aguja falsa puede romper la aguja.
7. No usar agujas torcidas.
8. Durante la costura, ni tirar de la ropa ni empujarla. Esto podría romper la aguja.
9. Al ejecutar el cosido, asegúrese de que no haya ningún alfiler clavado en el material. De lo contrario, puede ocurrir la rotura de agujas/cuchillas. Además, con excepción de la tela y el hilo, no intente cortar nada con las cuchillas superior/inferior.
10. Las manipulaciones en la zona de la aguja, por ejemplo, enhebrar, cambiar la aguja o un pie prensatelas, etc. siempre deben hacerse con el interruptor principal a “O”..
11. Antes de los trabajos de mantenimiento descritos en la guía, como p.ej. limpieza, enhebrado de la lanzadera, cambio de bombillas, etc. debe desconectarse la máquina quitando el enchufe de la red eléctrica.
12. No meter ningunos objetos dentro de las aperturas de la máquina.
13. No usar la máquina al aire libre.
14. No usar la máquina en sitios donde se utilizan productos con gas propelentes (sprays) u oxígeno.
15. Para desconectar la máquina, colocar el interruptor principal a “O” y quitar el enchufe de la red.
16. Desenchufar de la red tirando siempre del enchufe y no del cable.
17. Generalmente, cuando la máquina no se usa tiene que desconectarse quitando el enchufe de la red eléctrica.
18. Si el cable eléctrico está dañado, debe ser reemplazado por el fabricante, su agente de servicio o personas con calificaciones similares para evitar un peligro.
19. Esta máquina está dotada de aislamiento doble, excepto en máquinas destinadas a EE.UU./ Canadá. Utilizar únicamente piezas de recambio idénticas. Véanse las instrucciones para el mantenimiento de máquinas con aislamiento doble.

“MANTENIMIENTO DE PRODUCTOS DE ISOLACION DOBLE”

Un producto de aislamiento doble tiene dos unidades de aislamiento en vez de una toma de tierra. En un producto de aislamiento doble no hay una toma de tierra, y tampoco debe incluirse una. El mantenimiento de un producto de aislamiento doble requiere mucha atención y conocimiento del sistema. Pos eso sólo un especialista puede hacer este trabajo de mantenimiento.

Usar únicamente piezas de recambio originales. Un producto de aislamiento doble está marcado con: “Doble aislamiento” o “Isolación doble”.

El símbolo  puede también indicar semejante producto.

“GUARDE BIEN ESTAS NORMAS DE SEGURIDAD”

Esta máquina de punto cadeneta y cobertura está solamente destinada para el uso doméstico.

Felicitaciones por haber adquirido una máquina de coser JUKI.

Asegúrese de leer las precauciones de seguridad indicadas en el apartado “Uso seguro de la máquina de coser” del Manual de instrucciones antes del uso para comprender plenamente las funciones y procedimientos de operación de la máquina de coser de modo que pueda utilizarla durante mucho tiempo.



Una vez leído el Manual de instrucciones, asegúrese de guardarlo junto con la garantía de modo que pueda consultarlo cuando sea necesario.

La garantía no se aplica a fallos que sean causados bajo condiciones de uso anormales (fallos que ocurren cuando se utiliza la máquina de coser sin la observación del Manual de Instrucciones o sin la observación de las precauciones dadas en las etiquetas fijadas al cuerpo principal), y a las piezas consumibles (como las agujas y cuchillas). Para las informaciones acerca de la garantía, verifique el contenido de la garantía separada.


Uso seguro de la máquina de coser

Las marcas y los pictogramas incluidos en el Manual de instrucciones y mostrados en la máquina de coser se utilizan con la finalidad de garantizar el funcionamiento seguro de la máquina de coser y evitar posibles riesgos de lesión al usuario y a terceros.

Las marcas de advertencia se utilizan con distintas finalidades, tal y como se describe a continuación.

 ADVERTENCIA	Indica que existe el posible riesgo de muerte o lesiones graves si esta marca es ignorada y la máquina de coser se utiliza de forma incorrecta.
 PRECAUCIÓN	Indica la operación, etc., que puede causar un posible riesgo de lesiones personales y/o daños físicos si esta marca es ignorada y la máquina de coser es utilizada de forma incorrecta.

A continuación se indica el significado de los pictogramas:

	Advertencia de peligro no especificada		Existe el riesgo de sufrir descargas eléctricas		Existe riesgo de incendio		Existe riesgo de lesionarse las manos, etc.
	Prohibición no especificada		Desmontaje/ alteración prohibido		No coloque sus dedos debajo de la aguja		No vierta el aceite, etc
	Comportamiento generalmente necesario		Desconecte la clavija de alimentación				

! ADVERTENCIA

Para la combinación del material y el hilo de aguja, en particular, consulte la tabla de explicación en “Sustitución de la aguja”.

Si la aguja o el hilo no coinciden con el material utilizado, como por ejemplo en el caso de coser un material muy pesado (p. ej., tela vaquera) con una aguja fina (#11 o más), la aguja podría romperse y causar lesiones personales inesperadas.

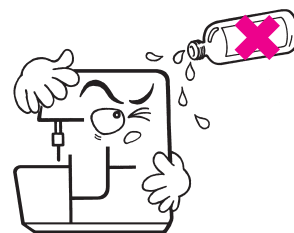
Otras precauciones

- No coloque la máquina de coser en lugares en los que esté expuesta a la luz solar directa o a la humedad.



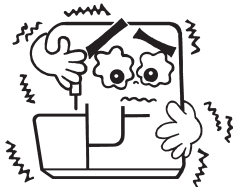
- No limpie la máquina de coser con disolventes, como por ejemplo diluyente.

Si la máquina de coser está sucia, aplique una pequeña cantidad de detergente neutro en un paño suave y limpie cuidadosamente la máquina de coser con él.



Tenga en cuenta que el siguiente estado puede tener lugar desde que la máquina de coser incorpore partes electrónicas semiconductoras y componentes precisos circuitos electrónicos.

- Asegúrese de utilizar la máquina de coser a temperaturas de entre 5 °C a 40 °C. Si la temperatura es excesivamente baja, la máquina podría no funcionar con normalidad.



* La temperatura de operación de la máquina de coser es de entre 5 °C a 40 °C. No utilice la máquina de coser bajo la luz solar directa, cerca de aparatos de combustión, como por ejemplo una estufa o una vela, o en lugares húmedos.

Si lo hace, la temperatura interior de la máquina de coser podría aumentar o el recubrimiento del cable de alimentación podría derretirse, causando incendios o descargas eléctricas.



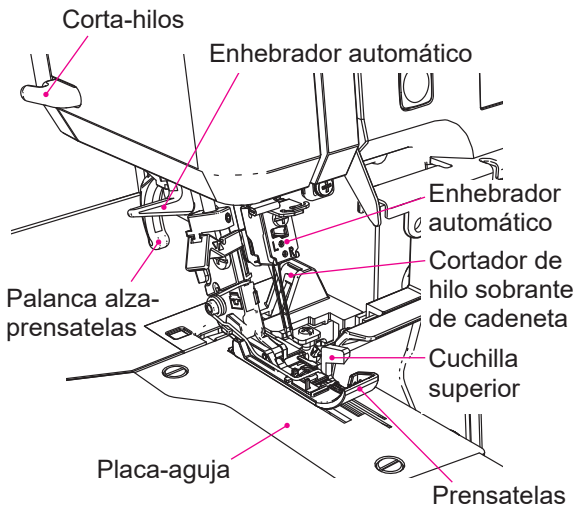
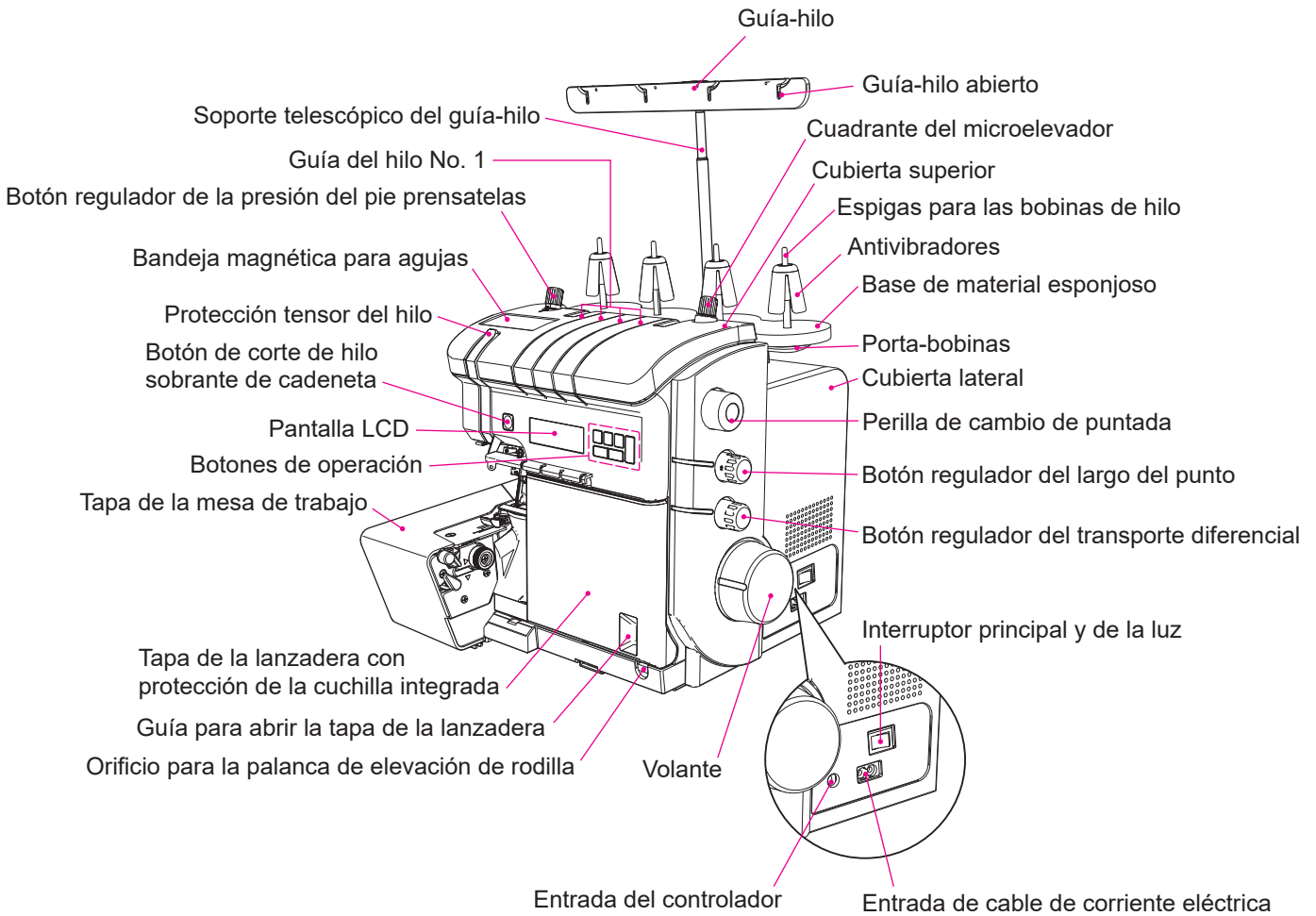
Escanee el código QR con su teléfono móvil/tablet para acceder al vídeo de soporte de operación o visite nuestro sitio de vídeos.

<https://www.youtube.com/playlist?list=PLY0cKTfgy6QyzRxeIR4qTQ6xs0VGid9Hg>

Indice

Reglas de seguridad	1-3	Preparación del enhebrado / consejos ..	23
Indice	4	Tabla de puntos	24
Detalles de la máquina.....	5,6	Enhebrado de overlock de 4/3 hilos..	25-31
• Accesorios	6	• Hilo de la lanzadera inferior	25,26
• Recipiente para retales	6	• Hilo de la lanzadera superior	27,28
Botones de operación en la pantalla LCD.....	7	• Hilo de la aguja derecha	29
Edición y ajuste	8,9	• Hilo de la aguja izquierda	30
Preparación de la máquina / puesta en servicio.....	10,11	• Cómo utilizar el enhebrador de lanzadera..	31
• Guía-hilo	10	Costura de prueba.....	32
• Colocación de bobinas	10	Costura práctica: overlock	33-39
• Conexión del pedal de mando	11	• Sobrehilado de 2 agujas, 4 hilos.....	33
Puesta en servicio	12-15	• Sobrehilado de 1 aguja, 3 hilos.....	34
• Interruptor principal y de la luz.....	12	• Sobrehilado de 1 aguja, 2 hilos.....	35
• Tapa de la lanzadera.....	12	• Doblado enrollado y sobrehilado estrecho	36
• Volante.....	13	• Coser cinta.....	37
• Palanca alza-prensateles con dos escalas y alza-punta-prensateles integrado.....	13	• Rotura del hilo durante la costura	37
• Cómo utilizar la palanca de elevación de rodilla	13	• Deshacer puntos	37
• Cambio del prensateles	14	• Fijar los extremos de hilos al principio y al final de la costura.....	38,39
• Cómo utilizar el prensateles.....	14	Mantenimiento	40,41
• Cuchilla superior está desactivado	15	• Limpieza y engrase	40
• Colocar agujas.....	15	• Cambio de la cuchilla.....	41
Aguja e hilo	16	Visualización de error	42
Regulación y manejo.....	17-22	Ayuda en caso de averías.....	43,44
• Largo del punto	17	Datos técnicos.....	45
• Posición de la cuchilla.....	17	Accesorios opcionales	46
• Ajuste fino del ancho de puntada	18		
• Transporte diferencial.....	19		
• Fruncido	20		
• Doblado enrollado.....	20		
• Presión del prensateles	21		
• Ajuste de la altura del prensateles con el cuadrante del microelevador	21		
• Corte automático de hilo sobrante de cadeneta.....	22		

Detalles de la máquina

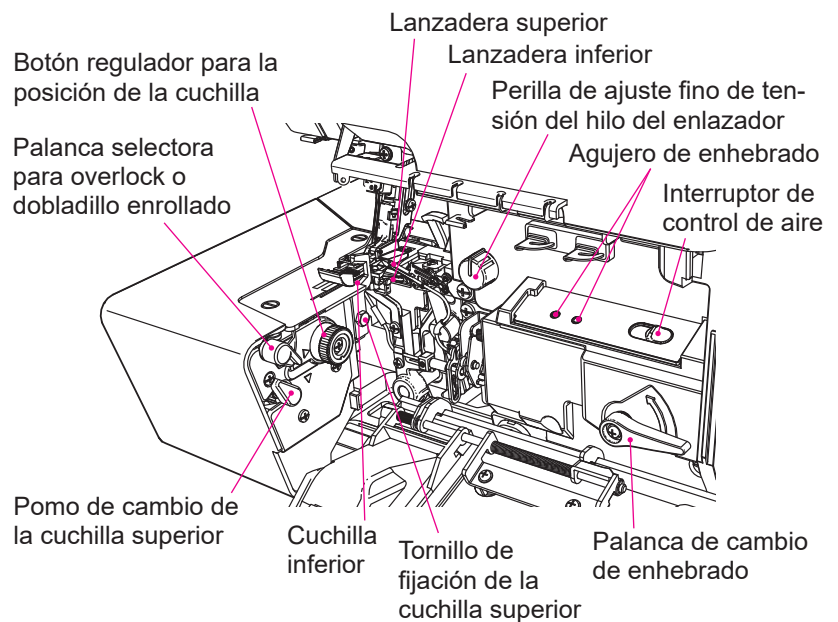


● Vista con la tapa de la lanzadera abierta



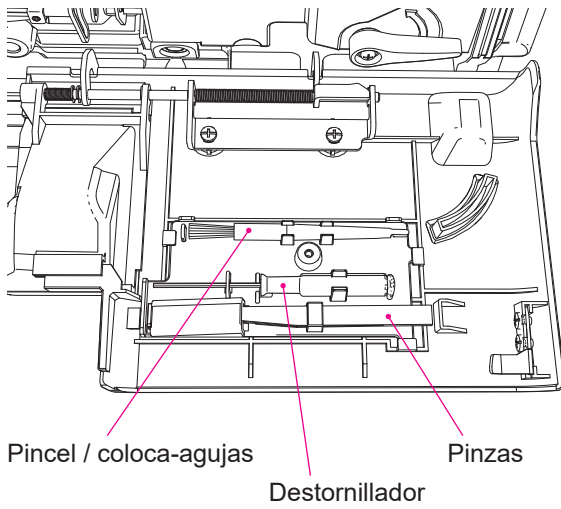
PRECAUCIÓN

Asegúrese de apagar el interruptor de alimentación antes de abrir la tapa.



Detalles de la máquina

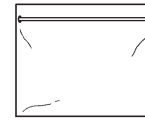
● Accesorios



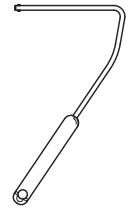
Pedal de mando electrónico
(Modelo N°: JC-001)



Bolsa para los accesorios



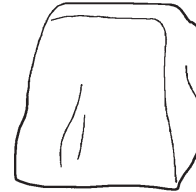
Palanca de elevación de rodilla



Cable de alimentación



Funda contra el polvo



Enhebrador del áncora



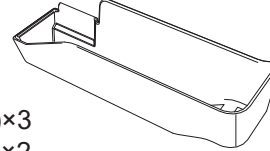
Arandelas guía-hilo



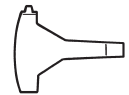
Aguja de lana



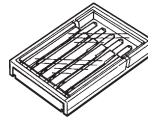
Recipiente para retales



Destornillador en forma de T



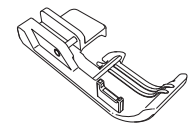
Juego de agujas
HA×1 No.80(No.12)×3
No.90(No.14)×2



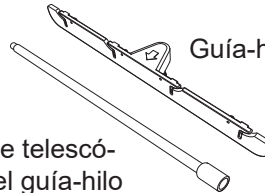
Aceitera



Prensatejas curvo

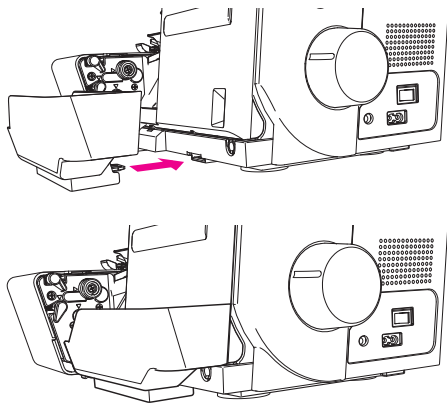


Guía-hilo



Soporte telescópico del guía-hilo

· Manual de instrucciones
(este manual)

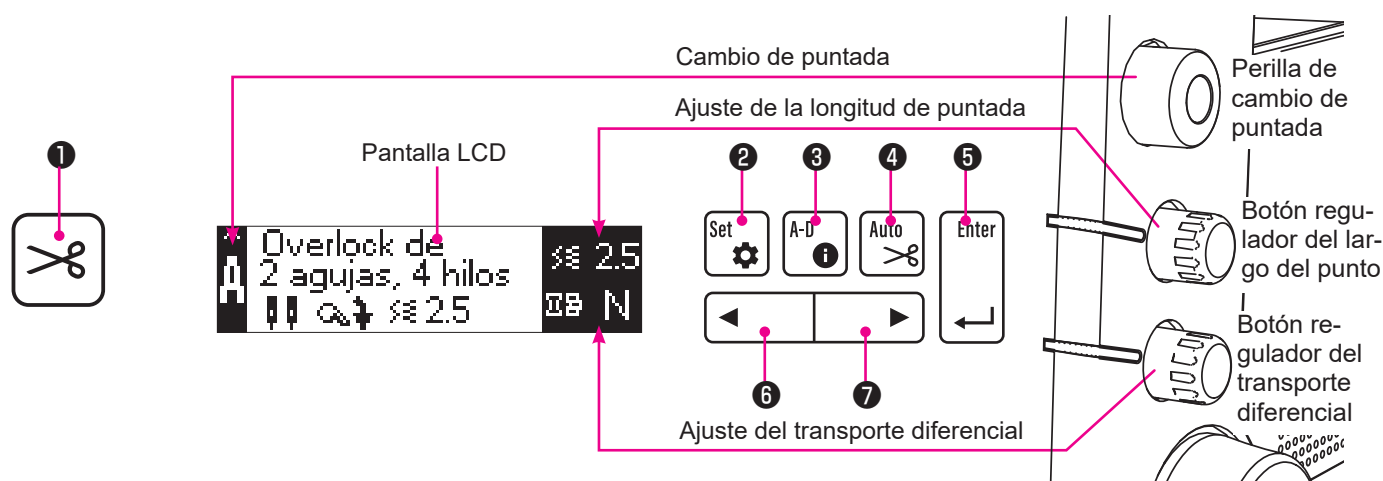


Recipiente para retales

Inserte el recipiente para retales en el orificio en la parte inferior de la cubierta del enlazador.




El recipiente recoge todos los retales cortados durante la costura. El campo de trabajo queda limpio y ordenado.

Botones de operación en la pantalla LCD



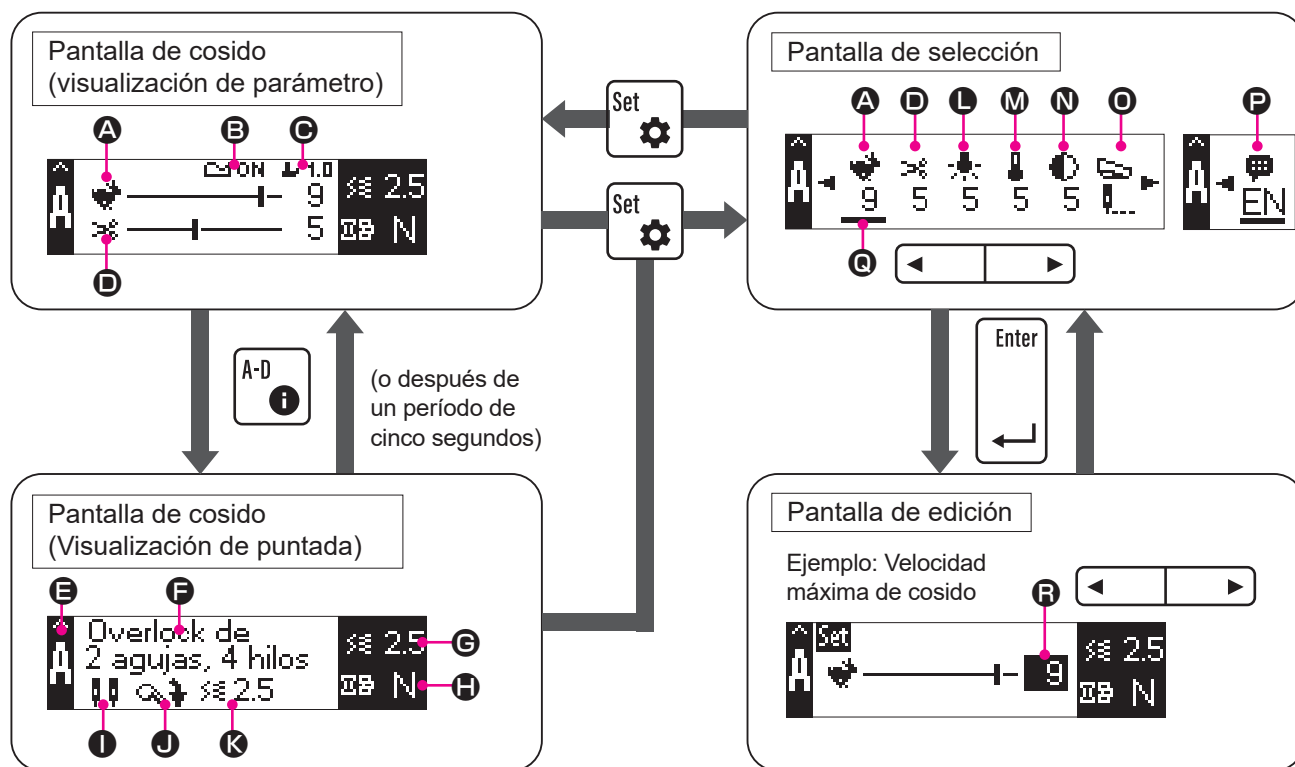
	Nombre del botón	Función
①	Botón de corte de hilo sobrante de cadeneta	Utilice este botón para cortar manualmente el hilo sobrante de cadeneta. * El hilo que sobra es de una puntada formada sin material.
②	Botón de editar	Visualiza la pantalla de edición de datos. Con este botón, se puede editar la "velocidad máxima de cosido", "longitud del corte automático de hilo sobrante de cadeneta", "luminosidad del LED de mano", "temperatura del color del LED de mano", "contraste del LED", "Operación de la máquina de coser al operar el interruptor de pedal" e "idioma de visualización".
③	Botón de visualización de puntada	Visualiza la pantalla de visualización de puntada. Hay cuatro tipos diferentes de puntadas disponibles: "A: 2 agujas, 4 hilos", "B: 1 aguja, 3 hilos", "C: Sobrehilado estrecho" y "D: Doblado enrollado".
④	Botón de cambio de corte automático de hilo sobrante de cadeneta	Activa/desactiva el corte automático de hilo sobrante de cadeneta. Cuando se activa este botón, se detecta el extremo del material al final del cosido y se corta automáticamente el hilo sobrante de cadeneta a la longitud ajustada.
⑤	Botón de ejecutar	Confirma el contenido que se ha editado.
⑥	Botón de izquierda	Desplaza la barra de selección en la pantalla LCD a la izquierda.
⑦	Botón de derecha	Desplaza la barra de selección en la pantalla LCD a la derecha.

* Los botones se desactivan mientras la máquina de coser está en funcionamiento.

	Visualización de la pantalla LCD	Contenido de visualización	
①		Visualiza la puntada.	Cambie la puntada con la perilla de cambio de puntada.
②		Visualiza la longitud de la puntada.	Ajuste la longitud de puntada girando el cuadrante de ajuste de puntada.
③		Visualiza la relación de transporte diferencial.	Ajuste la cantidad de transporte diferencial girando el cuadrante de ajuste de transporte diferencial.

Edición y ajuste

Visualización de la pantalla LCD



	Contenido de visualización
A	Velocidad máxima de cosido
B	Sensor de detección de material Activado (Con material) Desactivado (Sin material) (Este parámetro sólo se visualiza cuando la función de corte automático de hilo sobrante de cadeneta está activada.)
C	Altura del prensatelas con el microelevador (Este parámetro sólo se visualiza cuando se eleva el prensatelas con el cuadrante del microelevador.)

	Contenido de visualización
D	Longitud de corte automático de hilo sobrante de cadeneta
E	Símbolo de la puntada
F	Nombre de la puntada
G	Longitud de puntada
H	Relación de transporte diferencial
I	Número y posiciones de las agujas a ajustar
J	Posición de la perilla de cambio de ancho de sobrehilado

	Contenido de visualización
K	Valor recomendado de ancho de puntada
L	Luminosidad del LED de mano
M	Temperatura del color de LED de mano
N	Contraste del LED
O	Operación de la máquina de coser realizada con la presión del interruptor de pedal
P	Idioma de visualización
Q	Barra de selección
R	Valor de ajuste

1. En la puesta en marcha de la máquina de coser



Pantalla de bienvenida

Después de un período de cuatro segundos

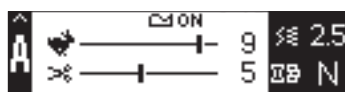


Pulse el botón de corte de hilo sobrante de cadeneta.



PRECAUCIÓN

Tenga en cuenta que el cortador de hilo sobrante de cadeneta se moverá.



Se visualiza la pantalla de cosido (visualización de parámetro).

2. Cómo seleccionar la puntada

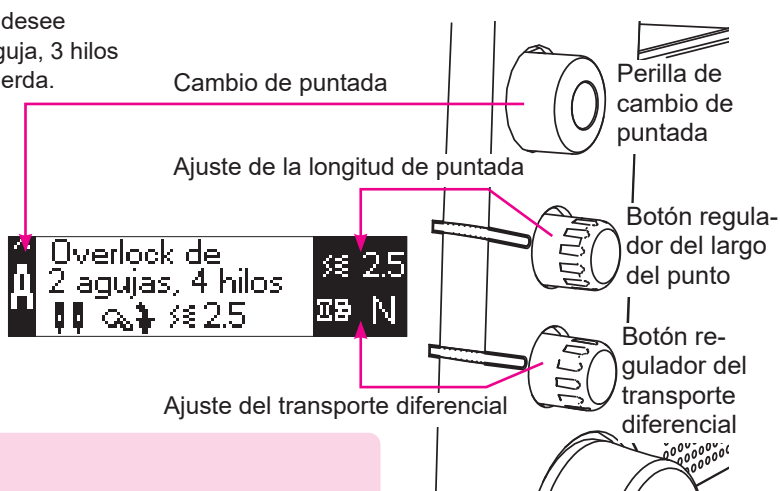
Cambie la puntada a ser cosida girando la perilla de cambio de puntada.



* Seleccione "A" cuando desee coser un patrón de 1 aguja, 3 hilos utilizando la aguja izquierda.

* **Utilice la aguja derecha.**

* Si desea coser una puntada de "1 aguja, 2 hilos", seleccione "B".



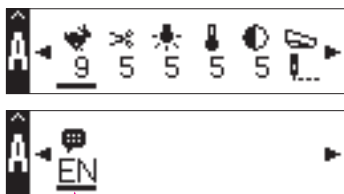
◆ Tensión del hilo

Este producto utiliza un controlador de tensión de hilo automático del tipo alimentador. Ya que el controlador de tensión de hilo automático suministra la cantidad necesaria de hilo según la puntada, espesor del material, longitud de puntada y ancho de cuchilla que han sido seleccionados, no se requiere ajustar la tensión del hilo.

3. Ítems que pueden ajustarse y método de ajuste

Pantalla de selección de datos

Pulse



Barra de selección

La barra de selección parpadea por debajo del ítem que ha sido seleccionado.

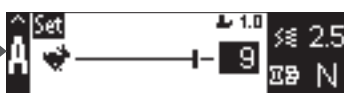


Pulse estos botones para seleccionar o editar el ítem.

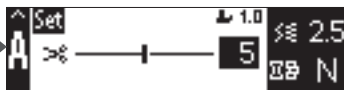


Pulse este botón para confirmar la selección o edición que ha sido realizada.

Pantalla de edición de datos



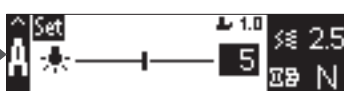
Se puede cambiar la velocidad máxima de cosido.
1: Lento → 10: Rápido



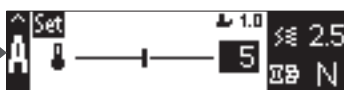
Se puede ajustar la longitud de corte automático de hilo sobrante de cadeneta.

1: 1cm → 10: 10cm

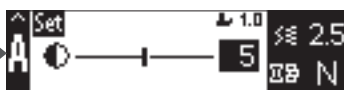
* La longitud de corte de hilo sobrante de cadeneta es una guía aproximada. Ella varía dependiendo de las condiciones de cosido, como el tipo de hilo de hilo y la longitud de la puntada.



Se puede cambiar la luminosidad del LED de mano.
0: Oscuro → 10: Brillante



Se puede cambiar la temperatura del color del LED de mano.
0: Bajo (sistema de color frío) → 10: Alto (sistema de color cálido)



Se puede cambiar el contraste de la pantalla LCD.
1: Alto → 10: Bajo



Se puede cambiar la operación de la máquina de coser que se lleva a cabo al presionar el interruptor de pedal.

: Media puntada/puntada de avance a baja velocidad

: Corte de hilo sobrante de cadeneta

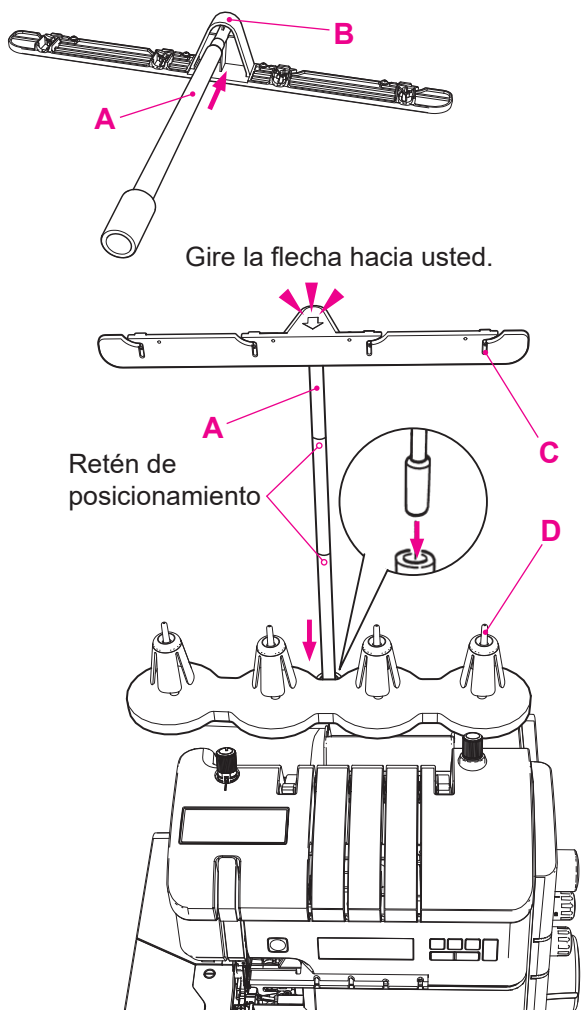


Se puede cambiar el idioma de visualización de la pantalla LCD.

Japonés, Inglés, Español, Alemán, Francés, Italiano, Holandés, Danés, Noruego, Finés, Sueco, Checo, Ruso y Chino

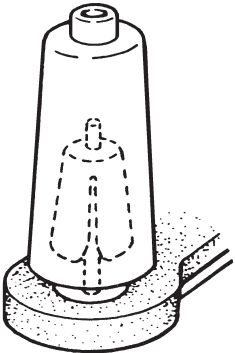
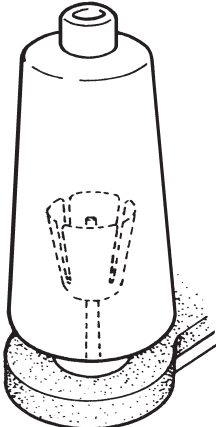
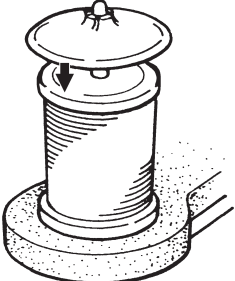
Después de concluir la edición, pulse y para regresar la pantalla a la pantalla de cosido.

Preparación de la máquina / puesta en servicio

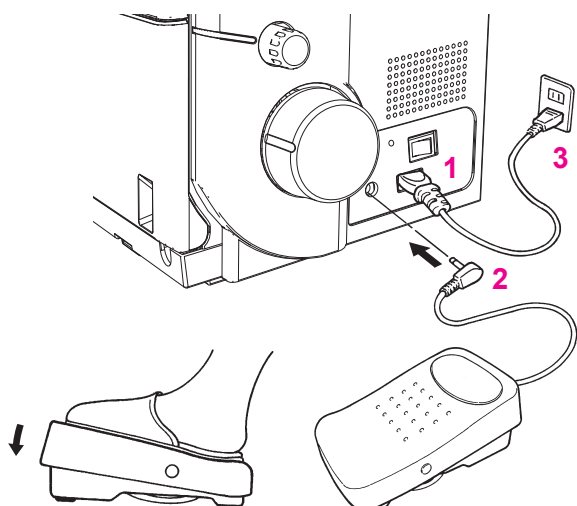


Guía-hilo

1. Inserte la varilla de soporte retráctil (A) en el soporte de la guía de hilo (B).
2. Extraiga la varilla de soporte retráctil (A) para ponerla en el retén de posicionamiento hasta que haga un clic. Luego, instale la guía de hilo abierto (C) de forma que se posicione directamente por encima del pasador del portacarrete (D).

	<p>Colocación de bobinas</p> <p>Para conos normales colocar los antivibradores en las espigas con la parte ancha hacia abajo.</p>		<p>Bobinas grandes</p> <p>Para bobinas industriales grandes, poner los antivibradores al revés, es decir con la parte ancha hacia arriba.</p>
	<p>Bobinas corrientes</p> <p>Para las bobinas corrientes quitar los antivibradores. Colocar las bobinas. Seguidamente poner las arandelas guía-hilo en las espigas, el borde redondeado mirando hacia abajo.</p>		

Preparación de la máquina / puesta en servicio



AVISO:

Desconecte la corriente eléctrica antes de realizar una conexión o desconexión.

Conexión del pedal de mando

1. Inserte el enchufe del cable de corriente eléctrica en la toma de la máquina.
2. Inserte el enchufe del controlador en el puerto de conexión del controlador.
3. Inserte el enchufe del cable de corriente eléctrica en la toma de corriente eléctrica interior.

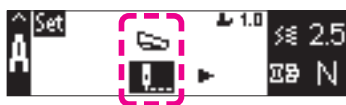
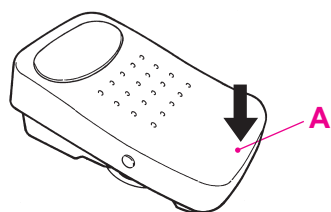
Apretando más o menos el pedal de mando se regula a progresión continua la velocidad de la costura.

“ADVERTENCIA”

Este aparato tiene un enchufe polarizado (una patilla más ancha que la otra).

Para reducir el riesgo de descarga eléctrica, este enchufe está ideado para que encaje en una toma polarizada sólo de una forma. Si el enchufe no encaja en la toma, enchúfelo al revés. Si todavía no encaja, póngase en contacto con un electricista cualificado para instalar la toma correcta.

No modifique el enchufe de ningún modo. (sólo para EE.UU. y Canadá).



■ Ajuste del interruptor de pedal

En el ajuste inicial, el interruptor de pedal ha sido ajustado a “media puntada/puntada de avance a baja velocidad”. Se puede seleccionar “corte de hilo sobrante de cadeneta” cambiando el ajuste. (Consulte la página 9)

: Media puntada/puntada de avance a baja velocidad

• Media puntada

Se puede coser medias puntadas presionando ligeramente el interruptor de pedal (**A**).

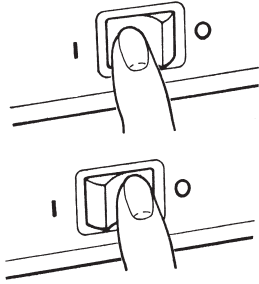
• Puntada de avance a baja velocidad

Mantenga pulsado el interruptor de pedal (**A**) para realizar el cosido a una baja velocidad.

: Corte de hilo sobrante de cadeneta

Se puede cortar el hilo sobrante de cadeneta presionando ligeramente el interruptor de pedal (**A**).

Preparación de la máquina / puesta en servicio



Interruptor principal y de la luz

El interruptor principal y de la luz se encuentra bien visible en la parte del volante, delante del enchufe de la máquina.

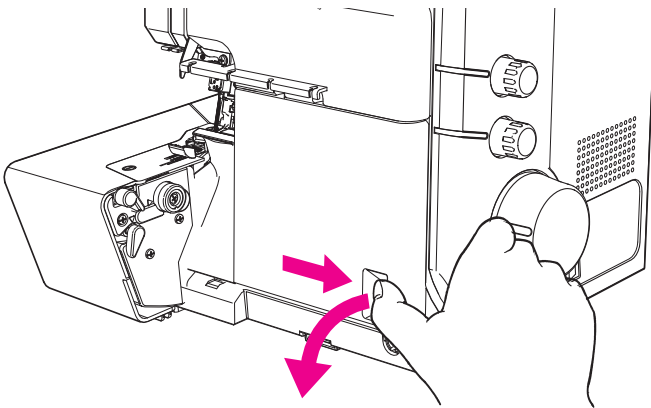
I = on (conectada)

O = off (desconectada)

⚠ AVISO:

Ejecute los siguientes pasos cuando usted no está usando su máquina de coser.

1. Cerciórese de posicionar en OFF el interruptor de la corriente eléctrica.
2. Cerciórese de extraer el enchufe del tomacorriente de pared.
3. No coloque nada encima del controlador.



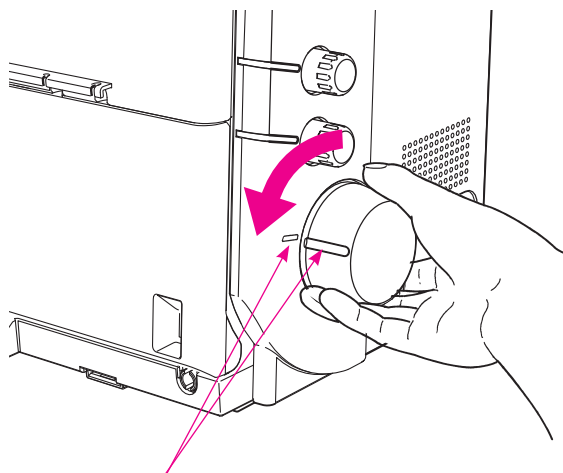
Tapa de la lanzadera

Para abrir la tapa de la lanzadera hay que empujarla con el pulgar hacia la derecha y abrirla hacia sí mismo. Para cerrarla, levantarla y empujarla ligeramente hacia la derecha hasta que se encaje.

Dispositivo de seguridad: la máquina de coser está equipada con un dispositivo de seguridad con el fin de evitar el mal funcionamiento. En cualquiera de los casos siguientes, el dispositivo de seguridad funciona para evitar que la máquina de coser se ponga en marcha.

- * Cuando la tapa del áncora se abre
- * Cuando la tapa lateral se abre
- * Cuando el prensatelas se eleva

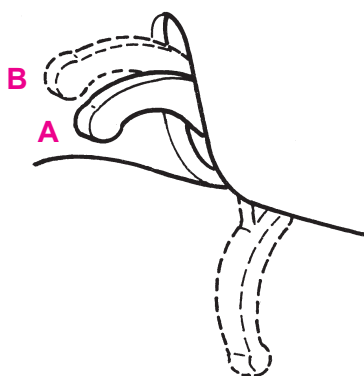
Puesta en servicio



* La aguja se sitúa en la parte más alta mediante la alineación de la marca "■" en el lado de la cubierta frontal con la marca "□" en el volante.

Volante

El volante se gira en sentido contrario de las agujas del reloj, igual como en una máquina de coser.



Palanca alza-prensatejas con dos escalas y alza-punta-prensatejas integrado

Para levantar el prensatejas subir la palanca alza-prensatejas hacia arriba hasta que se encaje (A). Si se empuja la palanca alza-prensatejas hasta arriba del todo entonces aumenta la separación entre la placa-aguja y el prensatejas (B). Cuando el prensatejas está arriba (A+B) entonces también está levantada la punta del prensatejas.

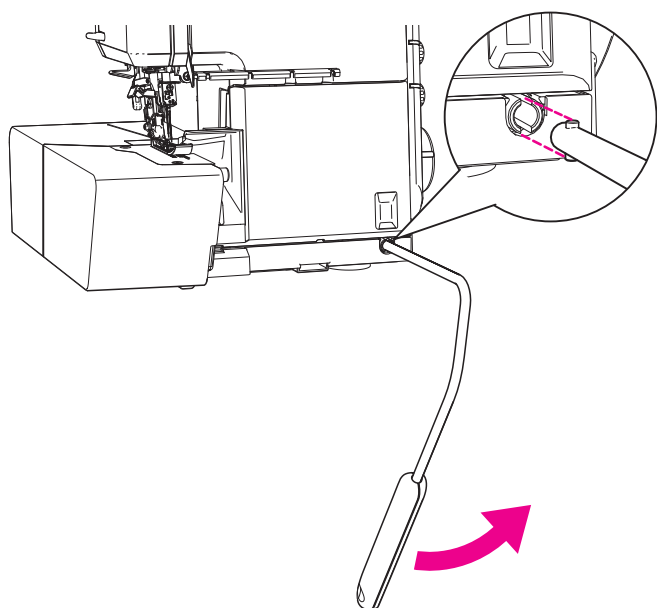
Indicación: Cuando el prensatejas está elevado, todas las tensiones de los hilos están aflojadas para facilitar el enhebrado.

Cómo utilizar la palanca de elevación de rodilla

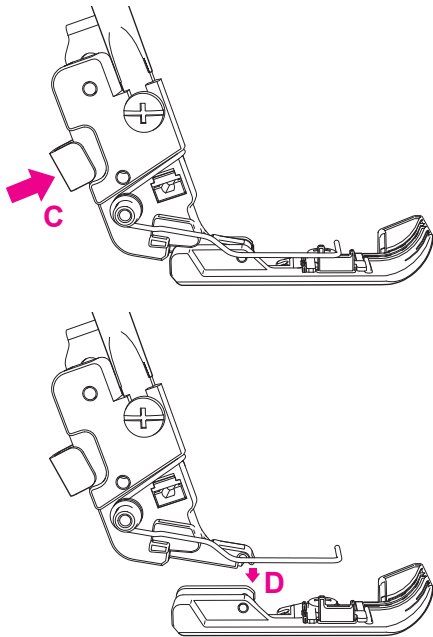
Se puede elevar/bajar el prensatejas sin sacar las manos del material.

1. Inserte la parte saliente de la palanca de elevación de rodilla en la parte rebajada del orificio de montaje.
2. Presione la palanca de elevación de rodilla hacia la derecha para elevar el prensatejas, o hacia la izquierda para bajarlo.

* No toque la palanca de elevación de rodilla durante el cosido. Si se la toca, el prensatejas subirá, causando una deformación de la costura.



Puesta en servicio



Cambio del prensatelas

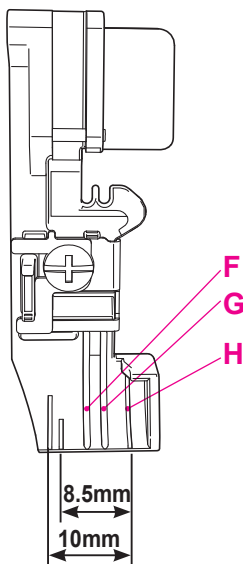
⚠ PRECAUCIÓN

Cuando desee cambiar el prensatelas, desconecte la corriente eléctrica y baje la cuchilla superior.

- Subir el prensatelas.
- Girar el volante hacia adelante y colocar las agujas en su posición más alta. Marcas en el volante y tapa lateral están lado a lado.

Apretar la palanca (C). El prensatelas se desengancha de su sujeción. Apretar la palanca alza-prensatelas hasta arriba del todo (B) y sacar el prensatelas por la parte izquierda.

Para enganchar el prensatelas, situarlo debajo del vástago. La ranura del vástago tiene que estar exactamente sobre el perno del pie (D). Baje la palanca de elevación del prensatelas y compruebe que la ranura en el vástago esté alineada exactamente con el perno (D) del prensatelas. Si no está alineada, presione la palanca (C) para alinearla.



Cómo utilizar el prensatelas

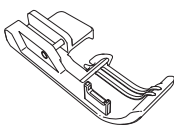
Utilice el marcador en el prensatelas como guía al colocar el material bajo el prensatelas.

(F) Posición de la aguja izquierda

(G) Posición de la aguja derecha

(H) Posición de la cuchilla (cuando el cuadrante de ajuste de ancho de corte está ajustado a la marca de graduación "3,0")

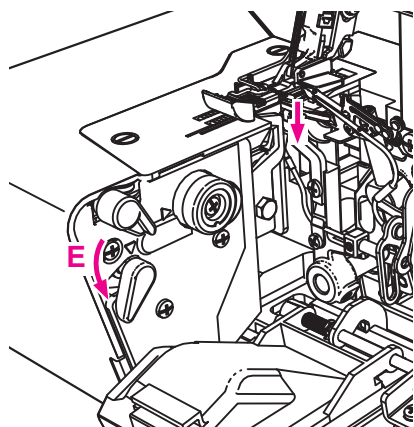
La posición de la cuchilla representa la posición en que se corta el material.



• Prensatelas curvo

El prensatelas curvo puede hacer pequeñas curvas ya que es menor de que el prensatelas estándar. Es útil para coser pequeñas curvas.

Puesta en servicio



Para llevar a cabo la costura sin cortar el material (la cuchilla superior debe estar desactivada)



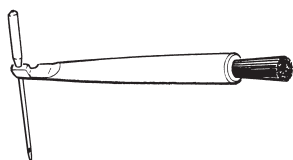
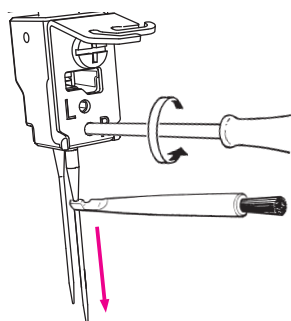
PRECAUCIÓN

Para desactivar la cuchilla superior, eleve el prensatelas y desconecte la corriente eléctrica.

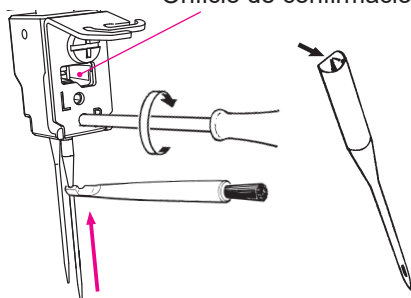
1. Bajar el pomo del cambio de la cuchilla superior en la dirección de la flecha.
2. Asegúrese de que la cuchilla está en la posición más baja.

Precaución:

Para utilizar la cuchilla superior, coloque el botón de cambio de cuchilla superior en la posición E y gire el volante con la mano cerca de dos vueltas para elevar la cuchilla superior.



Orificio de confirmación



Colocar agujas



PRECAUCIÓN

Desconectar la máquina, interruptor principal a „O“.

Con el coloca-agujas en el mango del pincel se pueden colocar las agujas fácil y rápidamente.

Girar el volante hacia adelante hasta que las agujas estén en su posición más alta. Marcas en el volante y tapa lateral están lado a lado.

Bajar el prensatelas.

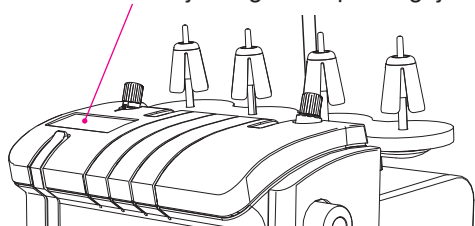
Aflojar los tornillos de sujeción con el destornillador. Sacar las agujas. Según el punto escogido, colocar la aguja derecha o izquierda.

Colocar la aguja, con la parte plana mirando hacia atrás, en el agujero del pincel e introducir las agujas en el sujetador de agujas, hasta llegar al tope.

Apretar los tornillos de sujeción.

- * Se puede verificar si la aguja está completamente insertada en el orificio del coloca-agujas a través del orificio de confirmación.
- * Tenga en cuenta que la hoja de metal dentro del sujetador de aguja puede doblarse si se aprieta el tornillo demasíadamente. Tenga cuidado de no apretar el tornillo demasíadamente.

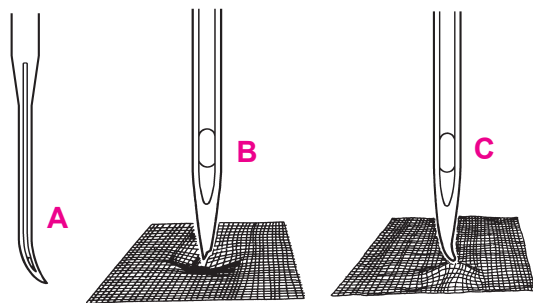
Bandeja magnética para agujas



• Bandeja magnética para agujas

Se puede colocar la aguja cambiada en esta bandeja.

Aguja e hilo



Agujas

Las agujas deben estar impecables. Aparecen dificultades en los siguientes casos:

- A** Aguja torcida
- B** Aguja despuntada, estropeada
- C** Punta de aguja con barbas

Aguja e hilo

El grosor de la aguja depende del hilo escogido, es decir la aguja tiene que ser adecuada para el hilo.

Durante la costura, el hilo entra en la ranura delantera de la aguja. Si la aguja es demasiado fina el hilo no cabe en la ranura y salen puntos defectuosos.

Utilizar agujas No. 70 – 90.

* Se recomienda usar aguja JLx2, especialmente para coser materiales pesados, secciones superpuestas, etc. con máquina sobreorilladora.

Hilo, hilo decorativo

Hay una multitud de hilos para coser y para overlock en diversas calidades. Para obtener un resultado perfecto vale la pena utilizar hilos de alta calidad. Además de los hilos normales, hoy día también se encuentran hilos decorativos para overlock (en conos).

Observar las siguientes reglas básicas para el uso de hilos especiales:

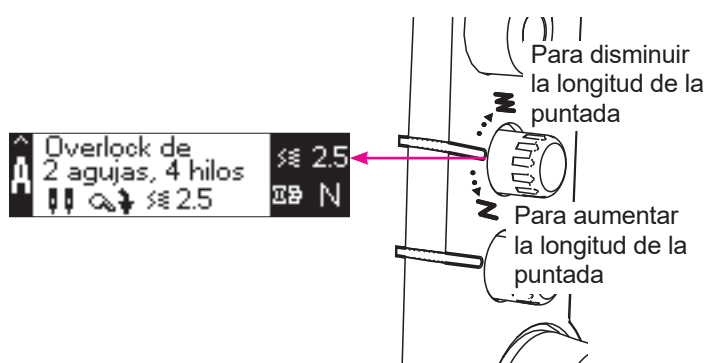
- Escoger hilos que estén en bobinas o conos para overlock.
- Si se utilizan bobinas normales, poner las arandelas guía-hilo (se encuentran en la bolsa de accesorios).
- Utilizar los hilos decorativos únicamente en las lanzaderas. El tamaño del ojete indica el grosor máximo del hilo decorativo. Los hilos decorativos tienen que enhebrarse sin sentir ninguna resistencia.
- Más grueso es el hilo, más largo es el punto (largo del punto 3-4).
- Más grueso es el hilo, más baja es la tensión del hilo.
- Coser despacio cuando se utiliza hilo decorativo. Al inicio de la costura tirar ligeramente la cadena de hilo hacia atrás.

Antes de empezar a coser con hilos decorativos, hacer una costura de prueba.

Tabla de hilos, agujas, tejidos

Hilo	Aguja	Enhebrado	Aplicación
Cosetodo overlock (poliéster)	70-90	Hilo de aguja y lanzadera	Para todos los trabajos overlock
Hilo de poliéster (sinfín)		Sólo adecuado como hilo de la lanzadera	Sobrehilado de los bordes cortados
Hilo de fibra		Sólo adecuado como hilo de la lanzadera	Costuras finas en tejidos de punto, dobladillo enrollado
Hilo de coser poliéster	80-90	Hilo de aguja y lanzadera	Costuras en toda clase de tejidos
Hilo de bordar y de zurcir	70-90	Sólo adecuado como hilo de la lanzadera	Sobrehilado de los bordes cortados, dobladillo enrollado.

Regulación y manejo



Largo del punto

El largo del punto puede regularse durante la costura, y a progresión continua, entre 0,7 mm y 4 mm.

La mayoría de los trabajos overlock se cosen con un largo del punto de 2,5 mm.

Para dobladillo enrollado o sobrehilado estrecho, lo mejor es poner el dial de "0,7 a 1,5".

Para puntada ciega que requiere el uso del "pie prensate-las disponible separadamente", ajuste el dial en el "4".

Posición de la cuchilla



PRECAUCIÓN

Desconectar la máquina, interruptor principal a „O“.

Ajuste la anchura de la costura girando el dial de ajuste de la anchura de corte.

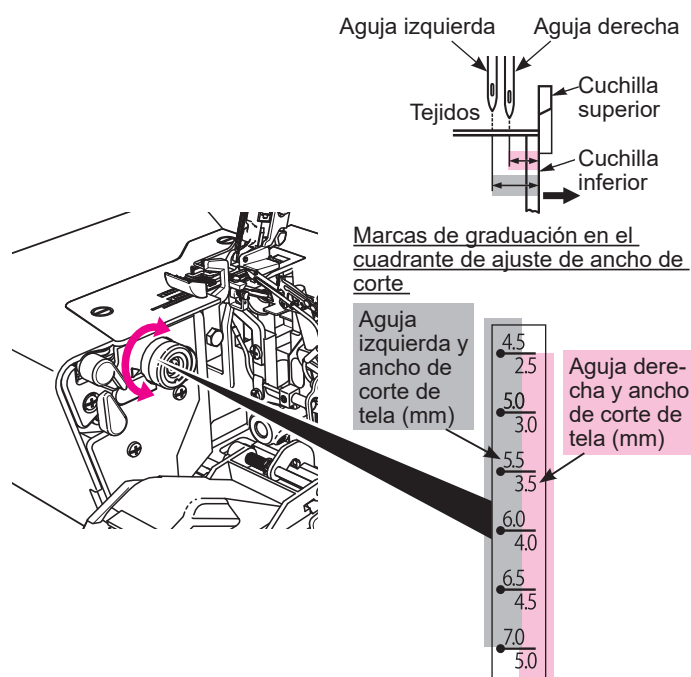
- Subir la cuchilla.
- Girar el botón regulador de la posición de la cuchilla en la dirección deseada.
- Bajar la cuchilla.

La posición de la cuchilla inferior determina el ancho de la costura.

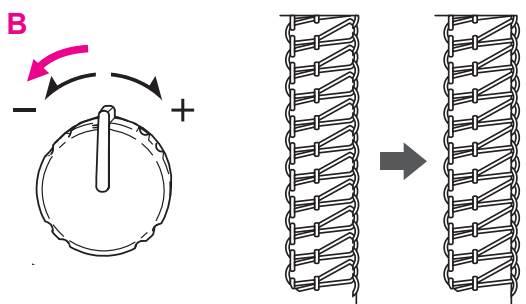
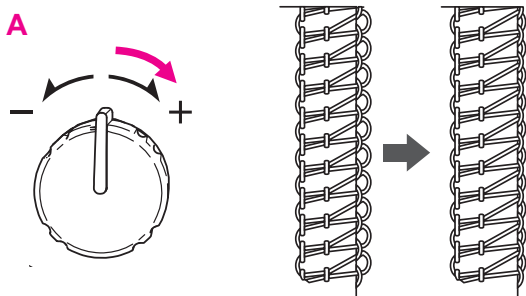
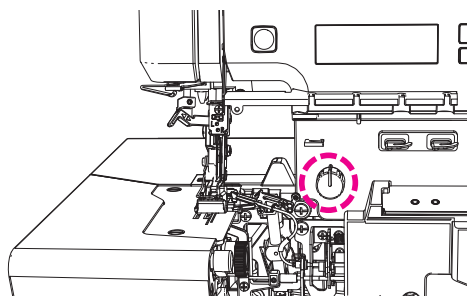


ADVERTENCIA

Al ejecutar el cosido, asegúrese de que no haya ningún alfiler clavado en el material. Además, con excepción de la tela y el hilo, no intente cortar nada con las cuchillas superior/inferior. De lo contrario, pueden romperse las agujas o causarse lesiones personales.



Regulación y manejo



Ajuste fino del ancho de puntada

Esta máquina de coser controla automáticamente la tensión del hilo. Sin embargo, hay que recordar que en algunos casos se puede mejorar la formación de la puntada girando la perilla de ajuste fino de tensión del hilo del enlazador en el sentido horario o en el sentido antihorario según el tipo de material o hilo, y la cantidad de ajuste del transporte diferencial.

A Si la tensión del hilo del enlazador está demasiado baja

→ Gire la perilla en el sentido horario.

B Si la tensión del hilo del enlazador está demasiado alta

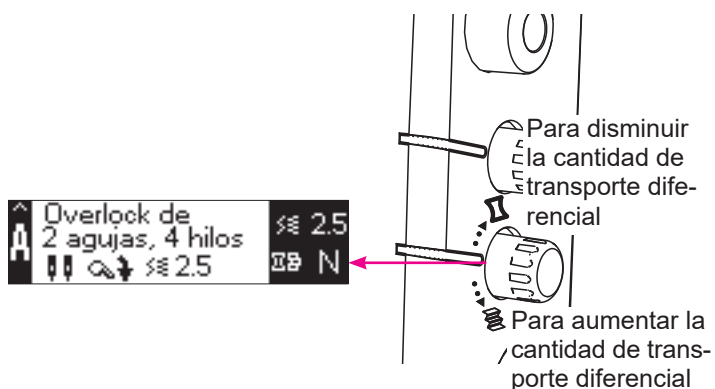
→ Gire la perilla en el sentido en el sentido antihorario.

ADVERTENCIA

Al ejecutar el cosido, asegúrese de que no haya ningún alfiler clavado en el material. Además, con excepción de la tela y el hilo, no intente cortar nada con las cuchillas superior/inferior. De lo contrario, pueden romperse las agujas o causarse lesiones personales.

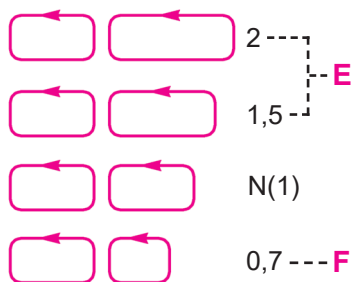
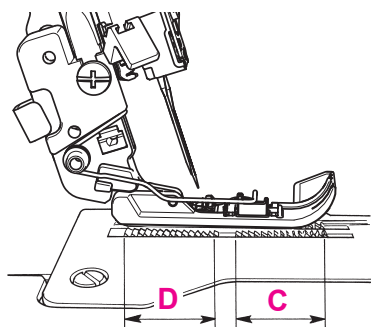


Regulación y manejo



Transporte diferencial

El transporte diferencial está compuesto de dos partes, un transporte delantero (C) y uno trasero (D). En un movimiento completo cada transporte puede tener un largo de transporte diferente. El transporte diferencial hace posible la realización de costuras absolutamente rectas y sin ondulaciones en tejidos de punto, lana, sin que las capas se desplacen. También evita de que las telas finas como tricot de nilón o tejidos tupidos se fruncen.



Costura sin ondulaciones en tricot o tejidos de punto

El arrastre del transporte delantero tiene que ser mayor que del transporte trasero. El transporte delantero transporta la cantidad de tejido que el transporte trasero es capaz de tomar detrás de la aguja sin estirarlo (E).

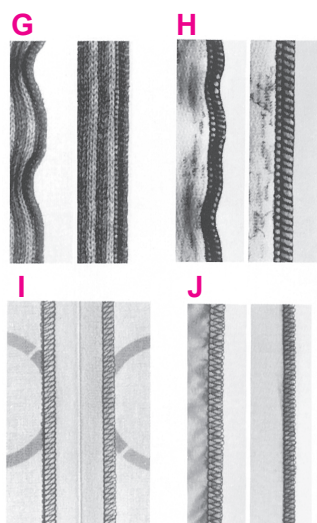
Ninguna costura fruncida en tejidos tupidos o en tricots de nilón

El arrastre del transporte trasero tiene que ser mayor que el transporte delantero. El transporte delantero retiene una cantidad de la tela para que el transporte trasero pueda tomar la tela detrás de la aguja (F).

Regulación del transporte diferencial

El transporte diferencial se regula girando el botón regulador del transporte diferencial. Hacer siempre una costura de prueba. El transporte diferencial puede regularse a progresión continua y ajustarse durante la costura.

* La tensión del hilo puede variar dependiendo de la cantidad de ajuste del transporte diferencial. En este caso, ajuste la tensión del hilo con la perilla de ajuste fino de tensión del hilo del enlazador. (Consulte la página 18).

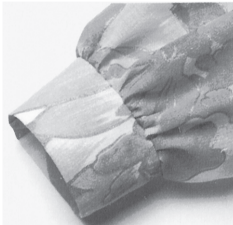


Regulación del transporte diferencial

El transporte diferencial se regula girando el botón regulador del transporte diferencial. Hacer siempre una costura de prueba. El transporte diferencial puede regularse a progresión continua y ajustarse durante la costura.

	Efecto	Tejidos
2	Costura sin ondulaciones (G)	Tejidos gruesos, punto hecho a mano, materiales muy elásticos
1,5	Costura sin ondulaciones (H)	Tejidos de algodón o seda, jerséis sintéticos, sweatshirt y puntos finos
N	Transporte normal (I)	Telas tejidas
0,7	Ningún fruncido (J)	Tricots de nilón fino, telas tejidas fuertes, forros, satín, popelina

Regulación y manejo



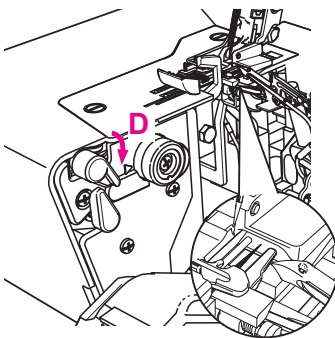
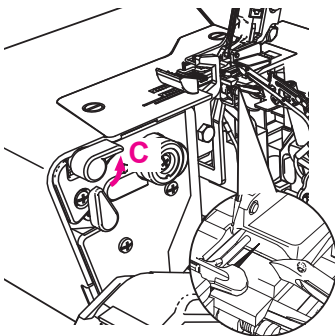
Fruncido

El transporte diferencial hace posible el fruncido de una sola capa de tela. Por ejemplo en mangas, puños, puntillas o volantes, etc.

Regulación:

- Punto: overlock de 4 hilos
- Transporte diferencial: 2
- Largo del punto: 4
- Ancho de la costura: 2-3
- * Si desea hacer un fruncido mucho mayor, debe tirar del hilo de la aguja después de concluir el cosido. *

Una vez concluido el fruncido de cosido, regrese el valor del ajuste del transporte diferencial a "N".



Dobladillo enrollado

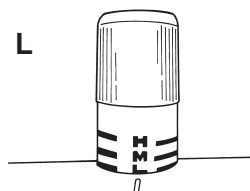
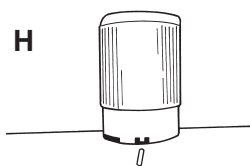
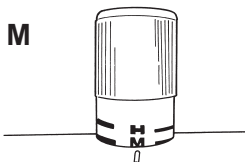
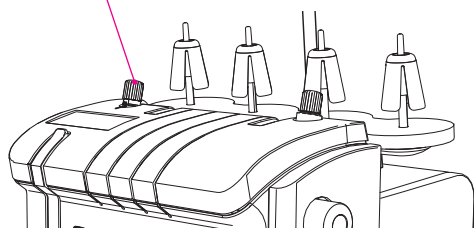
- Girar el volante y subir las agujas en su posición más alta.
- Para el dobladillo enrollado, mueva el botón de cambio del ancho de sobrehilado hacia arriba y compruebe que la garra de sobrehilado se retrae. (C).
- Para el sobrehilado estándar, mueva el botón de cambio del ancho de sobrehilado hacia abajo y compruebe que la garra de sobrehilado salga. (D).

La palanca selectora para dobladillo enrollado está integrada en la placa-aguja. Al coser se enrolla el borde del tejido alrededor de la aguja fina y deja un terminado decorativo y una costura fina.

Especialmente adecuado para dobladillos enrollados en fulares, echarpes, lencería, vestidos de noche o cortinas y servilletas.

Regulación y manejo

Botón regulador de la presión del pie prensatelas

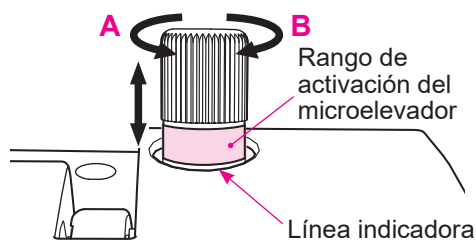
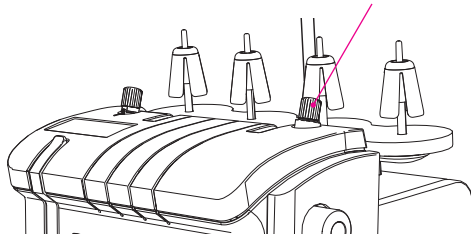


Presión del prensatelas

La presión del prensatelas garantiza un transporte óptimo del tejido. La presión está regulada por parte del fabricante a un valor medio. Alinee la línea marcada en el pomo de regulación de la presión del prensatelas con el extremo superior de la cubierta superior.

- M** Presión normal: regulación de base para la mayoría de los trabajos overlock.
- H** Presión fuerte: para tejidos gruesos y duros, como tejano / vaqueros, lino grueso y para sobrecojer cinta elástica.
- L** Presión floja: para tejidos finos, como chifón o batista.

Cuadrante del microelevador



Ajuste de la altura del prensatelas con el cuadrante del microelevador

Al coser materiales de peso pesado o materiales resbaladizos, se puede evitar el deslizamiento del material cambiando la altura del prensatelas, sin reducir la presión del prensatelas (manteniendo la presión del prensatelas al nivel actual).

Utilice el microelevador para colchas al coser materiales resbaladizos como terciopelo, o materiales elásticos del tipo de tejido de punto. También se puede cambiar la altura del prensatelas con el microelevador incluso durante el cosido.

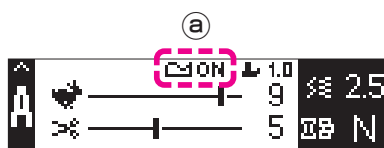
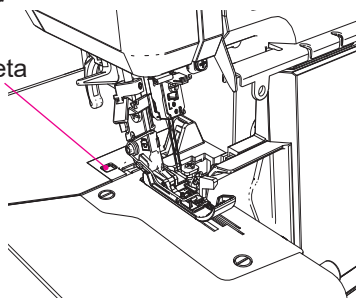
Gire el cuadrante del microelevador para ajustar el prensatelas a una altura que presione el material de manera adecuada.

- A** Para reducir la altura del prensatelas
- B** Para aumentar la altura del prensatelas

* Cuando no utilice el microelevador, gire el cuadrante completamente en la dirección **A**.

- * También se puede utilizar la línea indicadora del rango de activación del microelevador como una guía para el próximo cosido.
- * Coloque el mismo material (para cosido de prueba) que el material del cosido real y ajuste la altura del prensatelas. Tenga en cuenta que el material puede no alimentarse, enredando el hilo, si se eleva el prensatelas demasiado.

Sensor del cortador automático de hilo sobrante de cadeneta



Corte automático de hilo sobrante de cadeneta

Cuando la función de corte automático de hilo sobrante de cadeneta está activada, se detecta el extremo del material al final del cosido y se corta automáticamente el hilo sobrante de cadeneta a la longitud ajustada.

* Si hay presencia de material en el sensor, el cortador de hilo sobrante de cadeneta no funcionará.

* Tenga en cuenta que la función de corte automático de hilo sobrante de cadeneta puede no funcionar bien cuando se cose un material transparente, un material corto o un material estrecho.

En este caso, desactive la función de corte de hilo sobrante de cadeneta y pulse el botón de corte de hilo sobrante de cadeneta manualmente.

* Siempre que el sensor reconoce el material, se visualiza **a** en la pantalla LCD.

* Cuando utilice hilos decorativos o hilos gruesos, tire de la tela hacia la derecha después de coser y cortar el hilo sobrante de cadeneta mientras lo tira cerca de la base del cortador de hilo sobrante de cadeneta, o corte con algo que no sea el cortador de hilo sobrante de cadeneta.

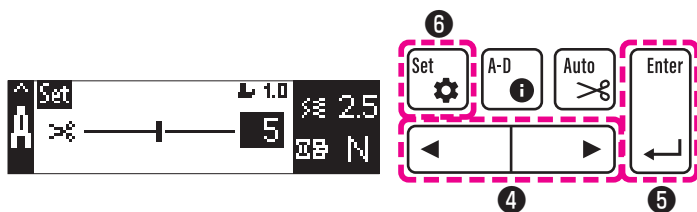
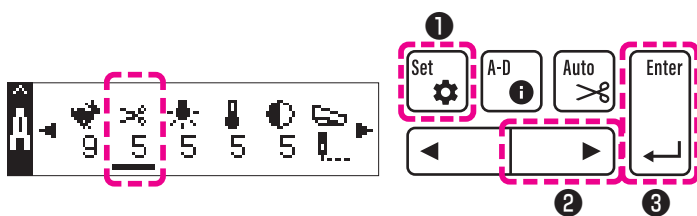
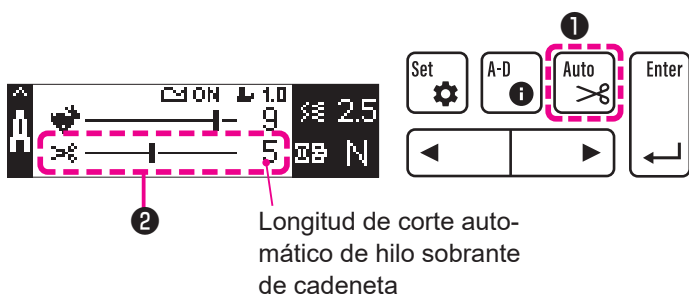
■ Ajuste de la función de corte automático de hilo sobrante de cadeneta

1. Pulse el botón de cambio de corte automático de hilo sobrante de cadeneta **1**.
2. Cuando se ajusta la función de corte automático de hilo sobrante de cadeneta, se visualiza **2** en la pantalla de cosido (visualización de parámetro).
3. Cuando desee desactivar la función de cambio de corte automático de hilo sobrante de cadeneta, pulse el botón de cambio de corte automático de hilo sobrante de cadeneta **1** nuevamente.

■ Ajuste de la longitud del hilo sobrante de cadeneta

Se puede ajustar la longitud del hilo sobrante de cadeneta a ser cortada automáticamente.

1. Pulse el botón de editar **1**.
2. Pulse el botón derecho **2** para seleccionar el ítem (segundo de la izquierda) correspondiente a la longitud de corte automático de hilo sobrante de cadeneta.
3. Pulse el botón de ejecutar **3**.
4. Pulse el botón derecho o izquierdo **4** para determinar la longitud de corte de hilo sobrante de cadeneta.
5. Pulse el botón de ejecutar **5**.
6. Pulse el botón de editar **6**.



Preparación del enhebrado / consejos

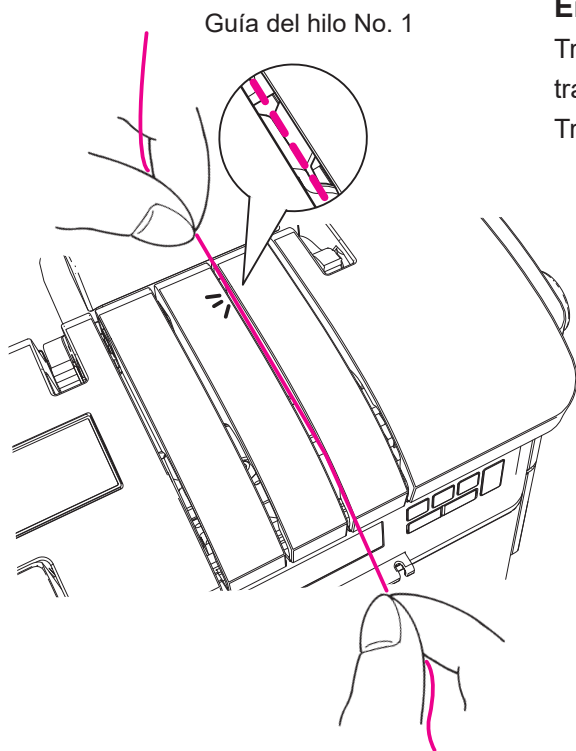
1. Extender la varilla del soporte retráctil con la guía abierta del enhebrado.
2. Levante el pie prensatelas. (Disco de tensión se abre.)
3. Abra la tapa de la lanzadera.
4. Encienda el interruptor.

Secuencia del enhebrado

Las guías de los hilos pueden ser enhebradas en cualquier secuencia.

Las secciones del enhebrado están codificadas por su color correspondiente.

- Áncora de enhebrado inferior (marcas rojas)
- ▲ Áncora de enhebrado superior (marcas azules)
- Hilo de la aguja derecha (marcas verdes)
- ◆ Hilo de la aguja izquierda (marcas de color beige)







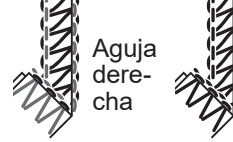







Enhebrado de la guía del hilo No. 1

Traiga hacia abajo el hilo que ha puesto en la varilla de soporte retráctil y ajústelo en la guía de hilo No. 1 hasta que haga clic.

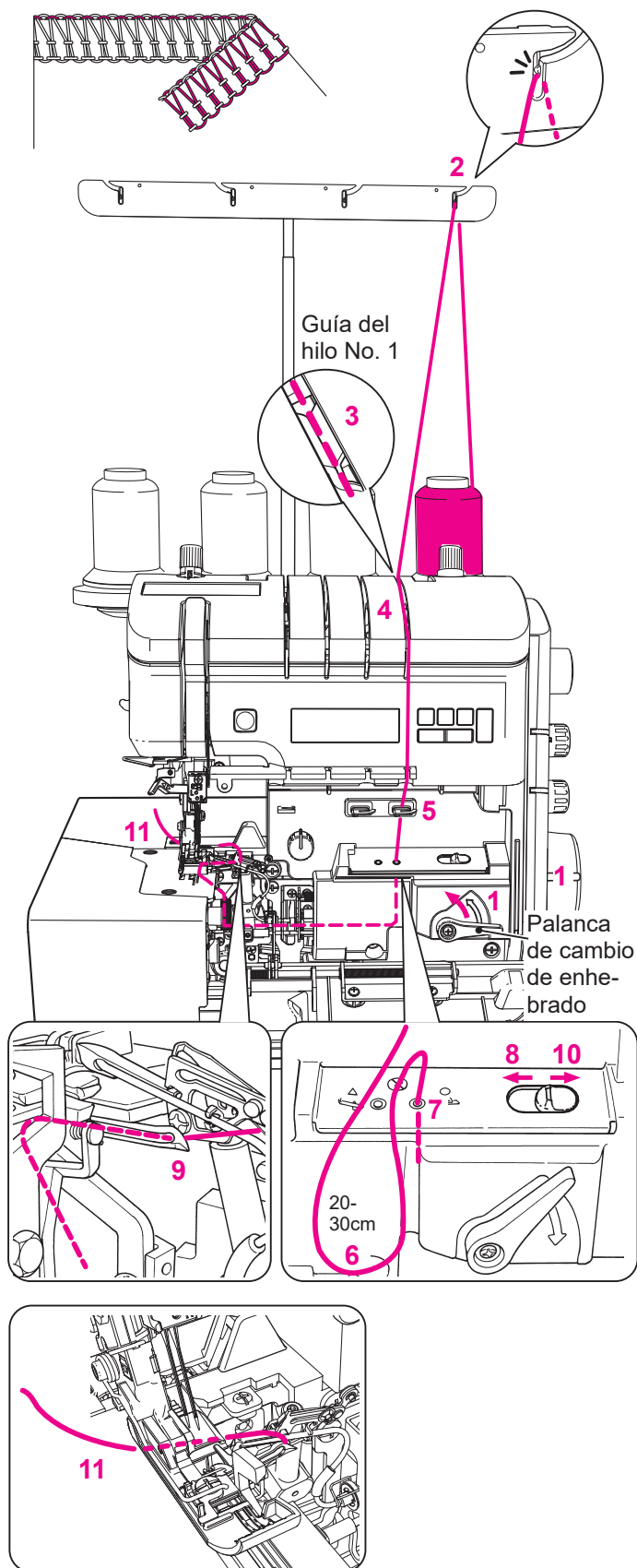
Traiga el hilo hacia usted a lo largo de la ranura.

Tabla de puntos

Punto	Ancho del punto	Perilla de cambio de puntada	Regulación de base
Overlock de 4 hilos con costura de seguridad integrada 	5-7,5 mm aguja derecha e izquierda	A	Largo del punto: 2,5 Posición de la cuchilla: 2,5-5,0 (Aguja izquierda 4,5-7,0) Diferencial: N-2 (tejido de punto) 0,7-N (tela tejida)
Overlock de 3 hilos  Aguja izquierda  Aguja derecha 	5-7,5 mm aguja izquierda ----- 3-5,5 mm aguja derecha	A ----- B	Largo del punto: 2,5 Posición de la cuchilla: 2,5-5,0 (Aguja izquierda 4,5-7,0) Diferencial: N-2 (tejido de punto) 0,7-N (tela tejida)
Costura enrollada de 3 hilos 	2 mm aguja derecha	C	Largo del punto: 0,7-1,5 Posición de la cuchilla: 2,5-3,5 (Aguja izquierda 4,5-5,5) Diferencial: N-0,7 Palanca selectora: dobladillo enrollado
Dobladillo enrollado de 3 hilos 	2 mm aguja derecha	D	Largo del punto: 0,7-1,5 Posición de la cuchilla: 2,5-3,5 (Aguja izquierda 4,5-5,5) Diferencial: N-0,7 Palanca selectora: dobladillo enrollado
Costura plana de 2 hilos  Aguja izquierda  Aguja derecha 	5-7,5 mm aguja izquierda ----- 3-5,5 mm aguja derecha	A *1 ----- B *1	Largo del punto: 2-3 Posición de la cuchilla: 2,5-5,0 (Aguja izquierda 4,5-7,0) Diferencial: N Transformador lanzadera ciega
Overlock de 2 hilos  Aguja izquierda  Aguja derecha 	5-7,5 mm aguja izquierda ----- 3-5,5 mm aguja derecha	A *1 ----- B *1	Largo del punto: 2,5 Posición de la cuchilla: 2,5-5,0 (Aguja izquierda 4,5-7,0) Diferencial: N Transformador lanzadera ciega

*1 Si desea coser con dos hilos, utilice el accesorio de cambio de 2/3 hilos y vuelva a enhebrar las agujas.
(Consulte la página 35)

Enhebrado de overlock de 4/3 hilos



Hilo de la lanzadera inferior, marcas rojas



Desconectar la máquina, interruptor principal a „O“.

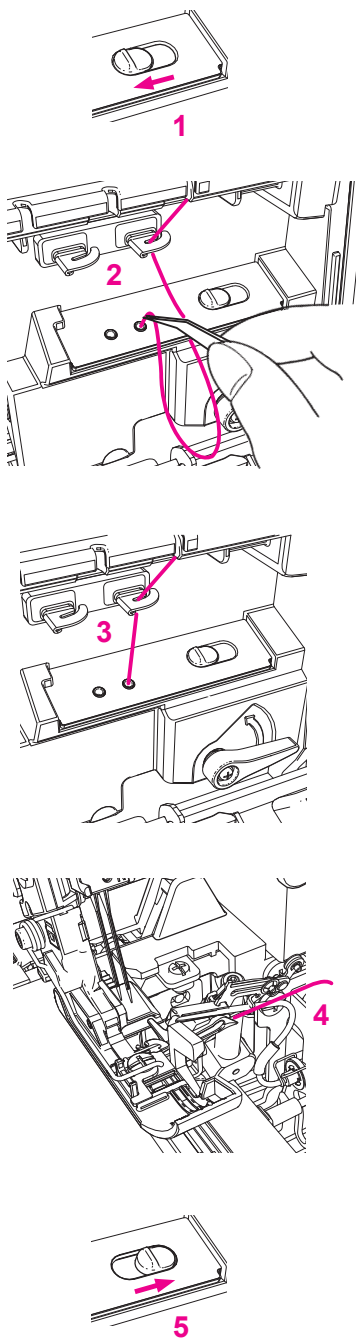
Colocar la bobina en el perno del porta-bobinas conforme la ilustración.

- (1) Elevar la palanca de cambio de enhebrado en la dirección de la flecha.
Gire el volante hacia usted hasta que haga clic. (El tubo de enhebrado se conecta.)
- (2) Coger el hilo de la bobina y pasarlo de atrás hacia adelante por el guía-hilo.
En este momento, ajuste el hilo con firmeza en la ranura.
- (3) Enhebrar la primera guía de la máquina.
- (4) Tire del hilo con ambas manos y enhebre la guía del hilo.
- (5) Pasar el hilo por las guía.
- (6) Tire del hilo de 20 a 30 cm para dejarlo hundirse en el interior de la tapa de la lanzadera.
- (7) Pasar el extremo superior del hilo a través del orificio de enhebrado de 1 a 2 cm.
- (8) Active el interruptor de control de aire. (Deslice el interruptor de control de aire a la izquierda.)
- (9) Asegúrese de que el hilo salga por el extremo superior de la lanzadera inferior.
- (10) Desactive el interruptor de control de aire. (Deslice el interruptor de control de aire a la derecha.)
- (11) Coger el hilo tirado fuera desde arriba de la lanzadera superior a dirigirlo hacia debajo del prensatelas y tire de él hacia fuera desde la parte trasera.

Nota:

Si los saltos de hilo de la lanzadera superior o inferior se rompen durante la costura, el re-enhebrado es necesario. Retire ambos hilos de la lanzadera, los rotos y los intactos. Entonces, coloque la palanca de enhebrado en el lado del enhebrado para llevar a cabo el enhebrado de la parte superior e inferior de las lanzaderas.

Enhebrado de overlock de 4/3 hilos



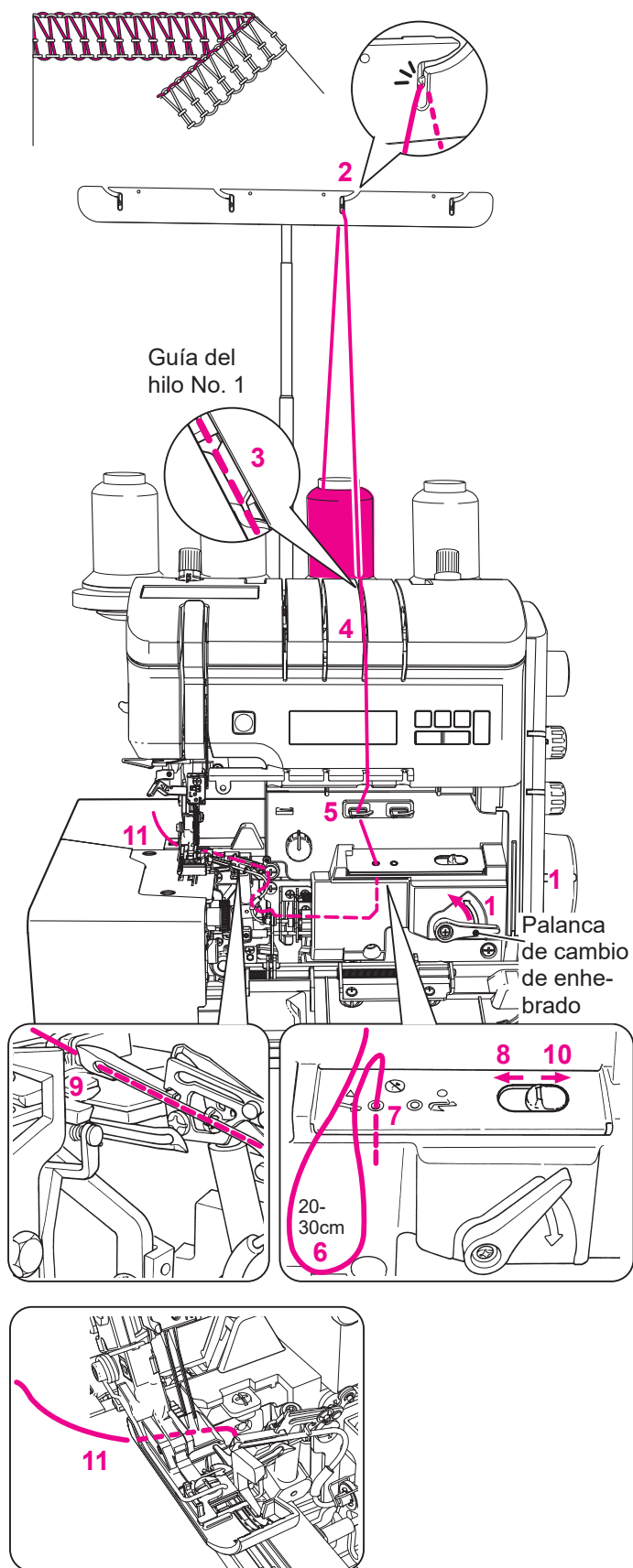
■ Otro método de enhebrar los enlazadores

También se puede enhebrar los enlazadores automáticamente, aunque invierta los pasos (7) y (8) anteriormente mencionados.

Deje el interruptor de control de aire activado y acerque la punta del hilo al agujero de enhebrado. Luego, se aspirará el hilo en el agujero de enhebrado y se enhebrarán los enlazadores.

1. Active el interruptor de control de aire.
2. Acerque la punta del hilo al agujero de enhebrado.
 - * En este momento, agarre una sección corta de la punta del hilo.
3. Se aspirará el hilo en el agujero de enhebrado.
4. Se enhebrarán los enlazadores.
5. Desactive el interruptor de control de aire.

Enhebrado de overlock de 4/3 hilos



Hilo de la lanzadera superior, marcas azules



Desconectar la máquina, interruptor principal a „O“.

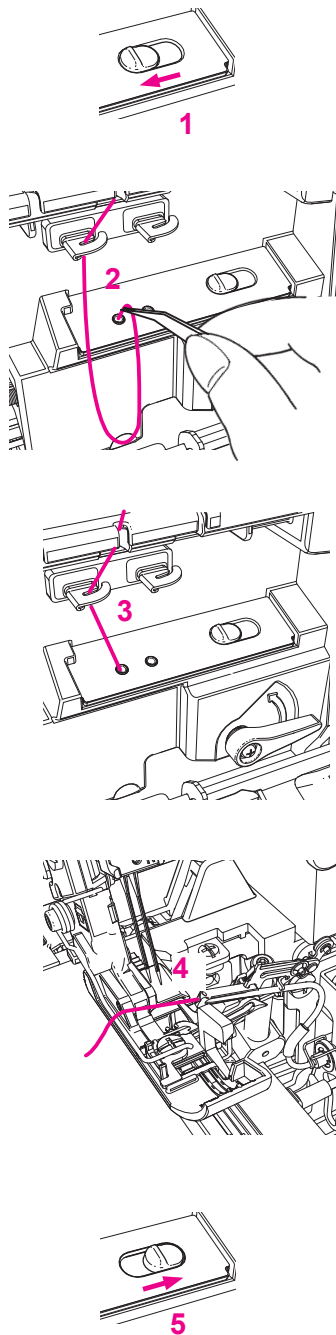
Colocar la bobina en el perno del porta-bobinas conforme la ilustración.

- (1) Elevar la palanca de cambio de enhebrado en la dirección de la flecha.
Gire el volante hacia usted hasta que haga clic. (El tubo de enhebrado se conecta.)
- (2) Coger el hilo de la bobina y pasarlo de atrás hacia adelante por el guía-hilo.
En este momento, ajuste el hilo con firmeza en la ranura.
- (3) Enhebrar la primera guía de la máquina.
- (4) Tire del hilo con ambas manos y enhebrar la guía del hilo.
- (5) Pasar el hilo por las guía.
- (6) Tire del hilo de 20 a 30 cm para dejarlo hundirse en el interior de la tapa de la lanzadera.
- (7) Pasar el extremo superior del hilo a través del orificio de enhebrado de 1 a 2 cm.
- (8) Active el interruptor de control de aire. (Deslice el interruptor de control de aire a la izquierda.)
- (9) Asegúrese de que el hilo salga por el extremo superior de la lanzadera superior.
- (10) Desactive el interruptor de control de aire. (Deslice el interruptor de control de aire a la derecha.)
- (11) Pase el hilo por unos 10 cm de recorrido bajo el prensatelas y tire de él hacia fuera de la parte trasera.

Precaución:

Después de completar el enhebrado de las lanzaderas superior e inferior, asegúrese de retornar la palanca de cambio de enhebrado a su posición original. De lo contrario, no se puede cerrar la cubierta de la lanzadera.

Enhebrado de overlock de 4/3 hilos



■ Otro método de enhebrar los enlazadores

También se puede enhebrar los enlazadores automáticamente, aunque invierta los pasos (7) y (8) anteriormente mencionados.

Deje el interruptor de control de aire activado y acerque la punta del hilo al agujero de enhebrado. Luego, se aspirará el hilo en el agujero de enhebrado y se enhebrarán los enlazadores.

1. Active el interruptor de control de aire.
2. Acerque la punta del hilo al agujero de enhebrado.
 - * En este momento, agarre una sección corta de la punta del hilo.
3. Se aspirará el hilo en el agujero de enhebrado.
4. Se enhebrarán los enlazadores.
5. Desactive el interruptor de control de aire.

Enhebrado de overlock de 4/3 hilos

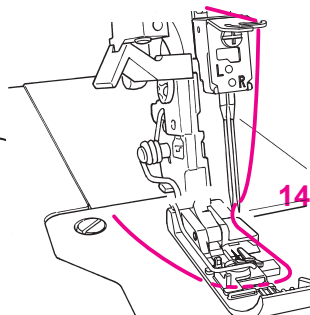
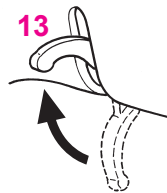
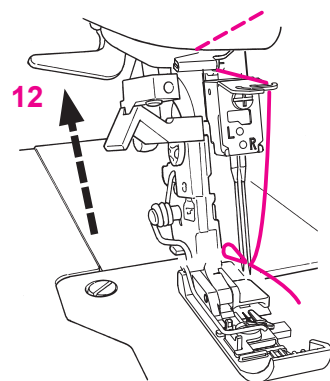
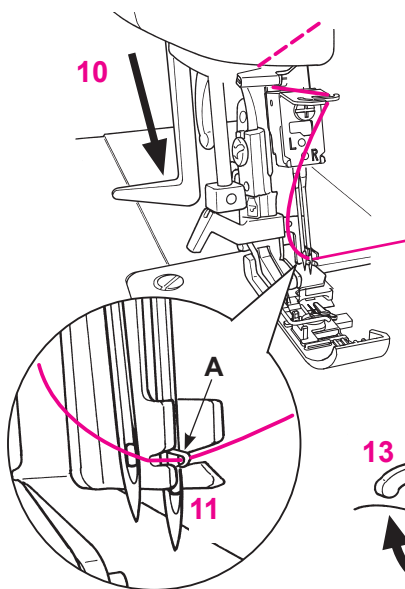
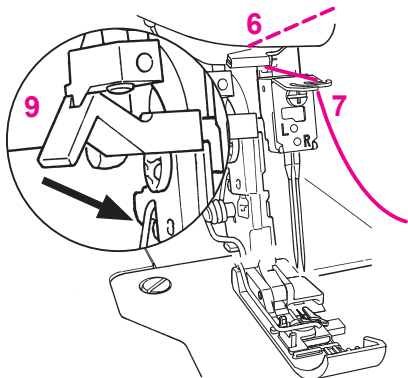
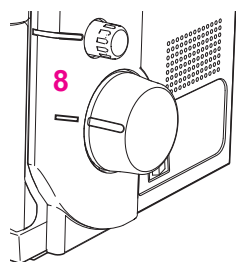
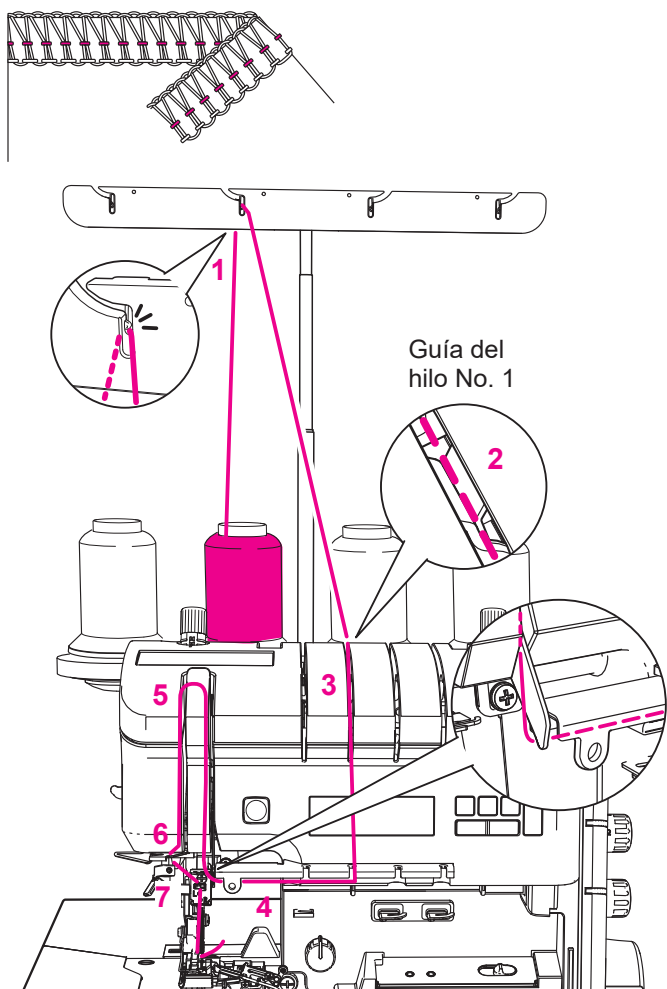
Aguja derecha, marcas verdes



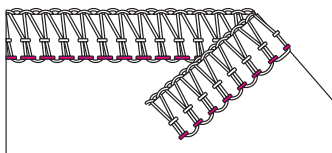
Desconectar la máquina, interruptor principal a „0“.

Colocar la bobina en el perno del porta-bobinas conforme la ilustración.


- (1) Coger el hilo de la bobina y pasarlo de atrás hacia adelante por el guía-hilo.
En este momento, ajuste el hilo con firmeza en la ranura.
- (2) Enhebrar la primera guía de la máquina.
- (3) Pasar el hilo a lo largo de la ranura.
- (4,5) Pasar el hilo por debajo de la placa-guía, después en el tira-hilo (señalado en verde).
- (6) Enhebrar la guía.
- (7) Enhebrar la guía en el porta-agujas.
- (8) Gire el volante hacia usted para alinear la marca “□” con la marca “■” en el lado de la cubierta lateral. Luego, baje el prensatelas.
- (9) Coloque la palanca de cambio de aguja-/derecha-/izquierda a la parte derecha de la aguja.
Asegúrese de mover la palanca de cambio alternativo de aguja derecha/izquierda hacia el lado de la aguja derecha hasta que no pueda avanzar más.
- (10) Baje la palanca de enhebrado.
- (11) Empuje el hilo en la sección **A** con ambas manos.
- (12) El hilo automáticamente pasa a través del ojal de la aguja empujando la palanca de enhebrado hacia arriba.
- (13) Levante el prensatelas.
- (14) Saque el hilo unos 10 cm para el recorrido bajo el prensatelas y sacarlo de su parte trasera.



Enhebrado de overlock de 4/3 hilos



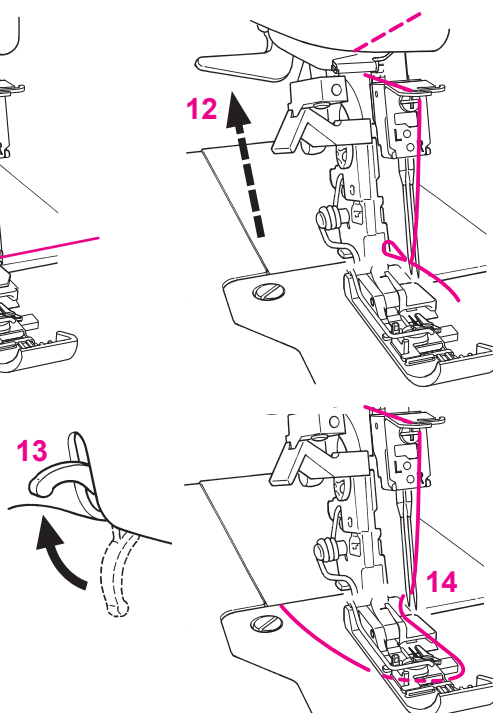
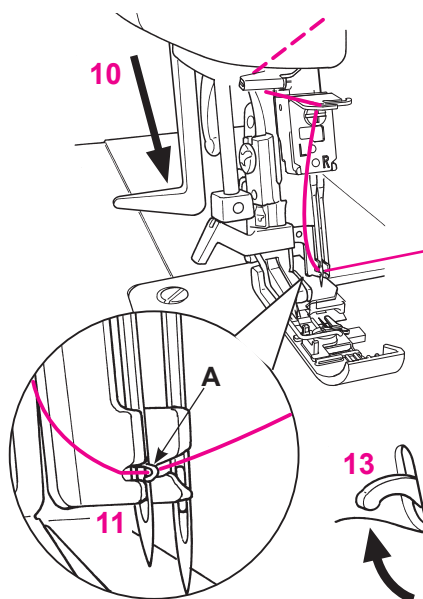
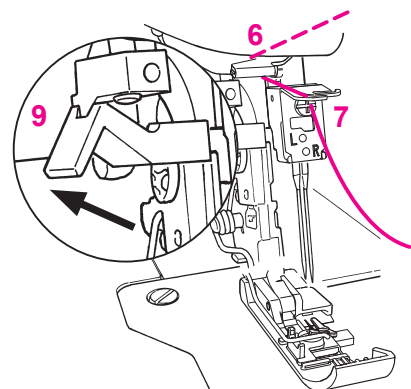
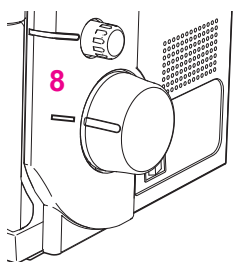
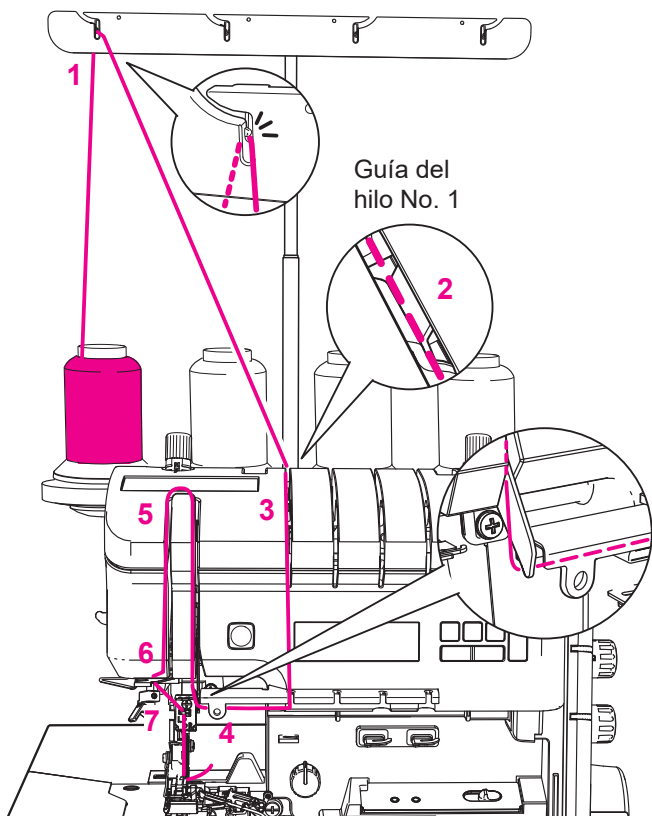
Aguja izquierda, marcas beige



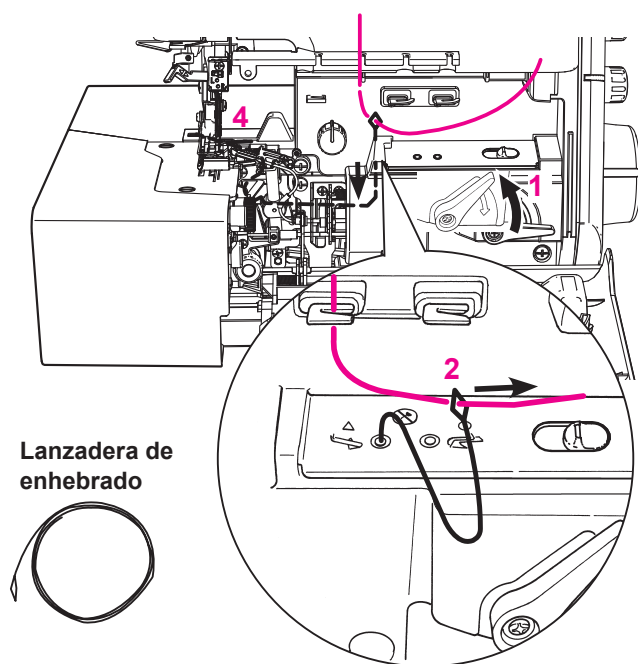
Desconectar la máquina, interruptor principal a „0“.

Colocar la bobina en el perno del porta-bobinas conforme la ilustración.

- (1) Coger el hilo de la bobina y pasarlo de atrás hacia adelante por el guía-hilo.
En este momento, ajuste el hilo con firmeza en la ranura.
- (2) Enhebrar la primera guía de la máquina.
- (3) Pasar el hilo a lo largo de la ranura.
- (4,5) Pasar el hilo por debajo de la placa-guía, después en el tira-hilo (señalado en beige).
- (6) Enhebrar la guía.
- (7) Enhebrar la guía en el porta-agujas.
- (8) Gire el volante hacia usted para alinear la marca “□” con la marca “■” en el lado de la cubierta lateral. Luego, baje el prensatelas.
- (9) Coloque la palanca de cambio de aguja-/derecha-/izquierda a la parte derecha de la aguja.
Asegúrese de mover la palanca de cambio alternativo de aguja derecha/izquierda hacia el lado de la aguja izquierda hasta que no pueda avanzar más.
- (10) Baje la palanca de enhebrado.
- (11) Empuje el hilo en la sección **A** con ambas manos.
- (12) El hilo automáticamente pasa a través del ojal de la aguja empujando la palanca de enhebrado hacia arriba.
- (13) Levante el prensatelas.
- (14) Saque el hilo unos 10 cm para el recorrido bajo el prensatelas y sacarlo de su parte trasera.



Enhebrado de overlock de 4/3 hilos



Cómo utilizar el enhebrador de lanzadera

Para enhebrar hilo de lana o cualquier hilo que no pueda pasar sin problemas a través de los orificios de enhebrado se recomienda o bien utilizar la "lanzadera de enhebrado" que se suministra en la bolsa de accesorios, o preparar aproximadamente 30 cm de hilo largo hilado o similar, atar al final del hilo de lana, pasar el hilo hilado a través del agujero de enhebrado y tire de el hasta que el hilo de lana pase a través del agujero. (La lanzadera de enhebrado también puede ser utilizada como una herramienta de limpieza para tubos.)

1. Elevar la palanca de cambio de enhebrado en la dirección de la flecha. Gire el volante hacia usted hasta que haga clic.
2. Pase el hilo a través del anillo de la lanzadera de enhebrado.
3. Pase la lanzadera de enhebrado a través de la lanzadera manual hasta que salga desde el extremo de la lanzadera.
4. Cuando el enhebrador de la lanzadera salga por el extremo de la lanzadera, tírelo hasta que el hilo salga.

Precaución:

No active el interruptor de control de aire.

Nota:

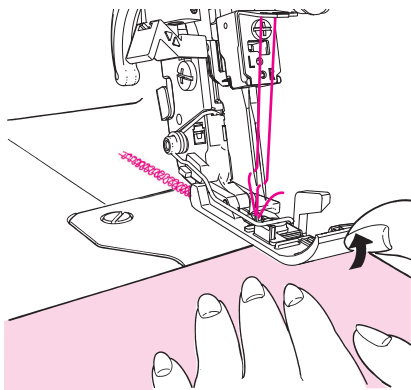
Si los saltos de hilo de la lanzadera superior o inferior se rompen durante la costura, el re-enhebrado es necesario. Retire ambos hilos de la lanzadera, los rotos y los intactos. Entonces, coloque la palanca de cambio de enhebrado en el lado del enhebrado para llevar a cabo el enhebrado de la parte superior e inferior de las lanzaderas.

Precaución:

Después de acabar de enhebrar las áncoras superior e inferior, volver la palanca de cambio de enhebrado a su posición inicial. Si no, la cubierta del enlazador no puede ser cerrada.



Costura de prueba



Costura de prueba

Cosa dos piezas del material juntas. Luego, verifique si el cosido acabado está correcto o no.

1. Cierre la tapa del ánora. Encienda la cámara.
2. Compruebe que la cuchilla superior se eleva.
3. Baje el pie prensatela.
4. Mientras sujeta el hilo suelto de la parte trasera del prensatelas a mano, presione el controlador para producir una cadena de hilo de 6 a 7 cm.
5. Levantando la parte frontal del prensatelas con los dedos, coloque la tela por debajo del prensatelas hasta que se alcance este lado de la cuchilla superior.
6. Encienda la máquina de coser.
7. Una vez concluido el cosido, corte el hilo sobrante de cadeneta.

Cómo cortar el hilo sobrante de cadeneta

1 Pulse el botón de corte de hilo sobrante de cadeneta.

Una vez concluido el cosido, pulse  para cortar el hilo sobrante de cadeneta.

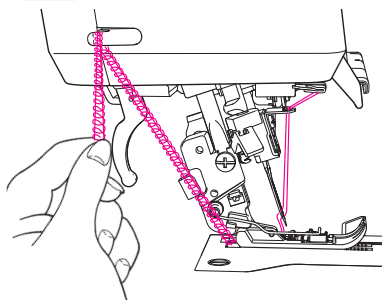
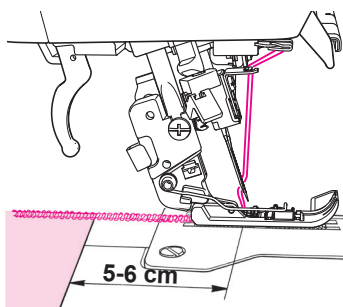
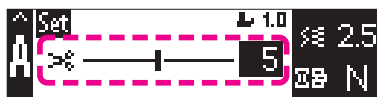
2 Active la función de corte automático de hilo sobrante de cadeneta de antemano.

Pulse .

Consulte la página 22 para obtener detalles.

3 Corte el hilo sobrante de cadeneta con el cortador de hilo.

1. Después de terminar la costura, dejar hilo de 5 a 6 cm.



2. Pase el hilo sobre la cuchilla de cortar el hilo para cortar.

4 Corte el hilo sobrante de cadeneta con la cuchilla superior.

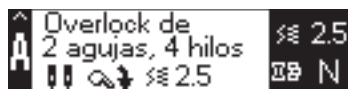
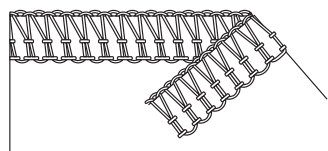
Tire del hilo sobrante de cadeneta y acérquelo hacia usted. Luego, córtelo con la cuchilla superior.

5 Presione el interruptor de pedal.

Después de concluir el cosido, presione el interruptor de pedal para cortar el hilo sobrante de cadeneta.

* Para cortar el hilo sobrante de cadeneta presionando el interruptor de pedal, se requiere ajustar previamente la función del interruptor de pedal. (Consulte la página 9)

Costura práctica: overlock

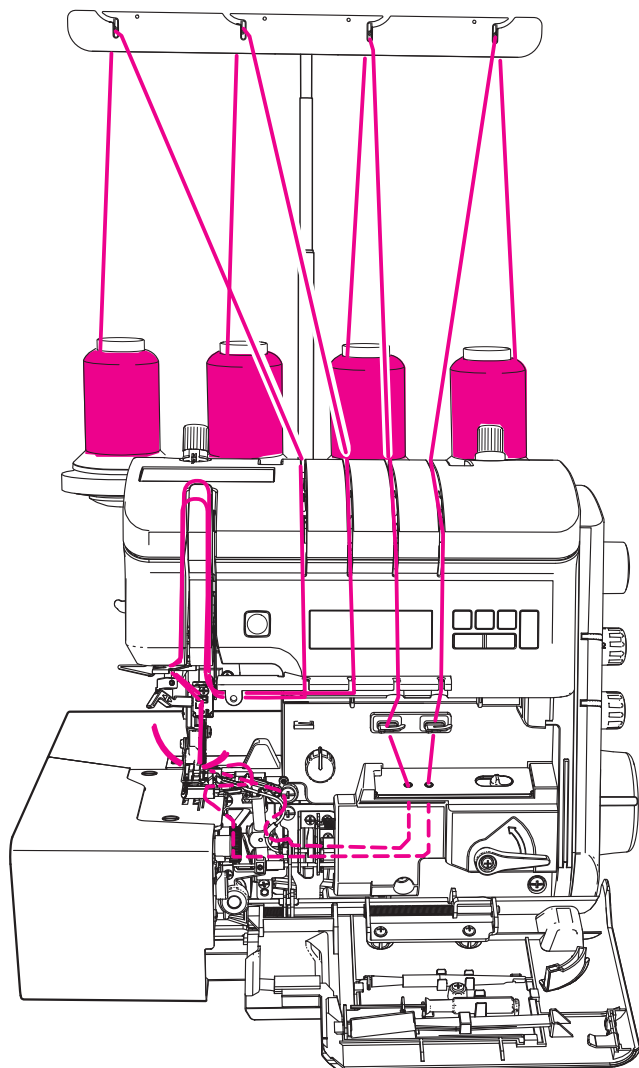


Sobrehilado de 2 agujas, 4 hilos

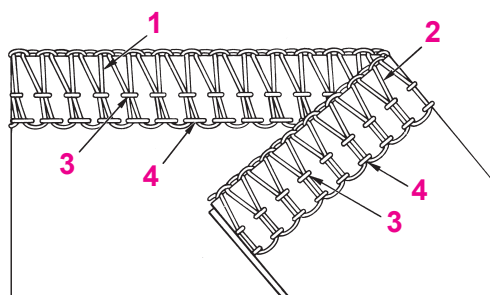
⚠ PRECAUCIÓN

Asegúrese de desconectar la corriente eléctrica antes de retirar o instalar la aguja.

Hilo de la aguja izquierda
Hilo de la aguja derecha
Áncora de enhebrado superior
Áncora de enhebrado inferior



1. Instale ambas las dos agujas. (Este es el estado estándar de la máquina de coser.)
2. Ajuste la perilla de cambio de puntada a "A".
3. Enhebre los enlazadores superior e inferior y las agujas derecha e izquierda. (Consulte la páginas 25 a 30)
4. Ajuste el cuadrante de ajuste de la longitud de puntada de acuerdo con el tipo de tela a ser cosida. (Estándar 2,5) (Consulte la página 17)
5. Ajuste el cuadrante de ajuste del ancho de corte de acuerdo con el tipo de tela a ser cosida. (Consulte la página 17)



Puntadas correctamente acabadas

1. Hilo de la lanzadera superior (azules)
2. Hilo de la lanzadera inferior (rojo)
3. Hilo de la aguja derecha (verde)
4. Hilo de la aguja izquierda (beige)

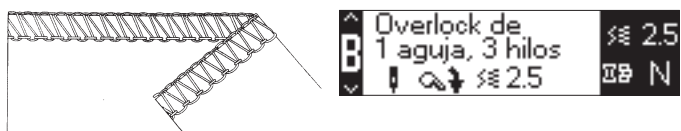
La tensión del hilo está correctamente regulada si ambos hilos de las lanzaderas se enlazan exactamente en el borde la tela. Los hilos de las agujas aparecen como líneas rectas y hacen la costura resistente y de todas maneras elástica.

Costura práctica: overlock

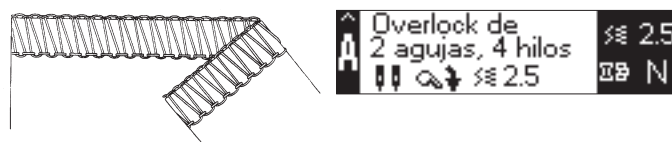
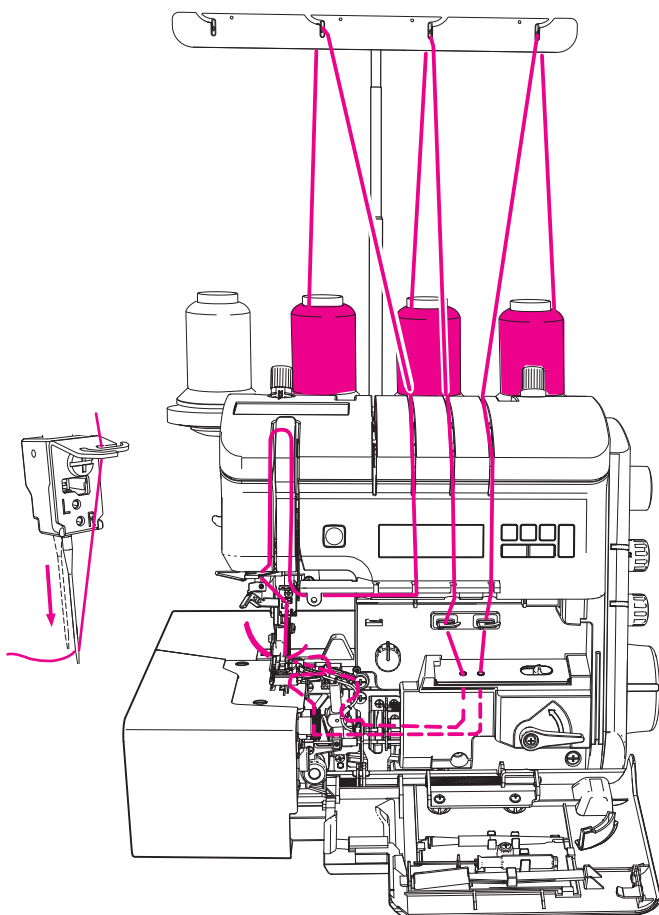
Sobrehilado de 1 aguja, 3 hilos

⚠ PRECAUCIÓN

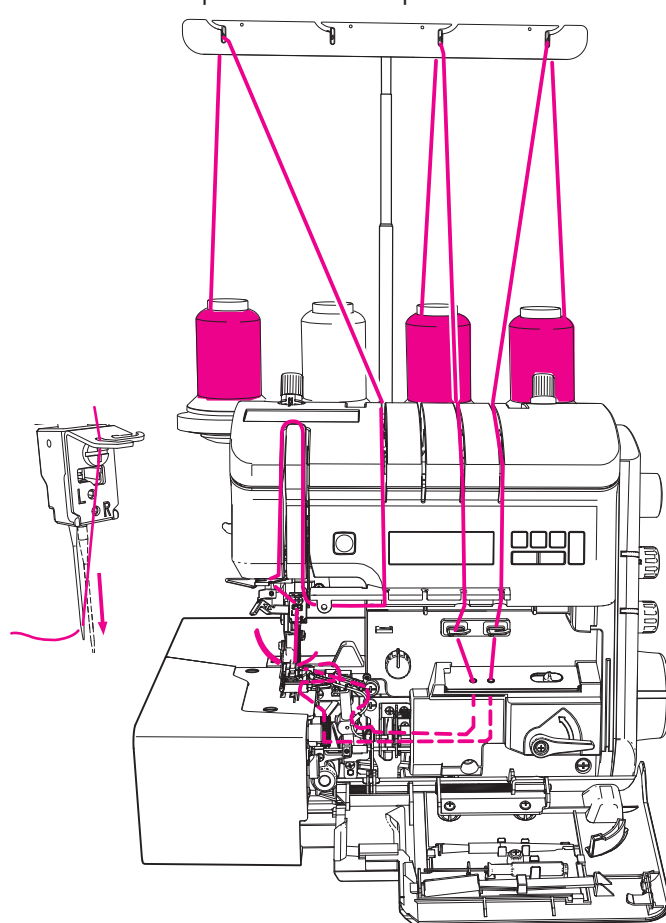
Asegúrese de desconectar la corriente eléctrica antes de retirar o instalar la aguja.



Hilo de la aguja derecha Áncora de enhebrado superior Áncora de enhebrado inferior



Hilo de la aguja izquierda Áncora de enhebrado superior Áncora de enhebrado inferior



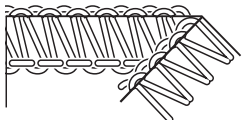
Para sobrehilado enrollado con la aguja derecha (3 a 5,5 mm de ancho)

1. Retire la aguja izquierda. (Consulte la página 15)
2. Ajuste la perilla de cambio de puntada a "B".
3. Enhebre el enlazador superior, enlazador inferior y aguja derecha. (Consulte la páginas 25 a 29)

Para overlock envuelto con la aguja izquierda (5 a 7,5 mm de ancho)

1. Retire la aguja derecha. (Consulte la página 15)
2. Ajuste la perilla de cambio de puntada a "A".
3. Enhebre el enlazador superior, enlazador inferior y aguja izquierda. (Consulte la páginas 25 a 28 y 30)

Costura práctica: overlock



Sobrehilado de 1 aguja, 2 hilos



PRECAUCIÓN

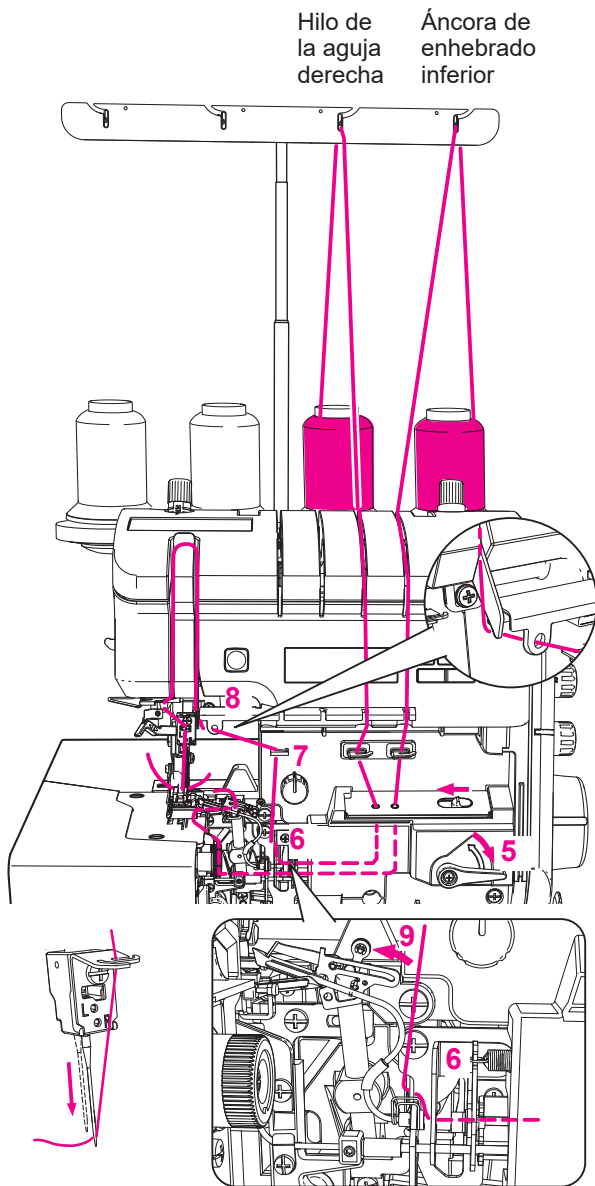
Asegúrese de desconectar la corriente eléctrica antes de retirar o instalar la aguja.

Se puede realizar el pespunte de cobertura, pespunte decorativo (pespunte de costura no doblada) y el dobladillo de 2 hilos con dos hilos, enhebrando la aguja derecha y el enlazador inferior. Utilice el accesorio de cambio de 2/3 hilos.

Utilice el accesorio de cambio de 2/3 hilos.

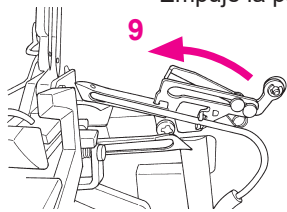
1. Retire la aguja izquierda. (Consulte la página 15)
2. Ajuste la perilla de cambio de puntada a "B".
3. Enhebre el enlazador inferior. La trayectoria de enhebrado del enlazador inferior es la misma que la del pespunte estándar (2 agujas, 4 hilos). (Consulte la página 25)
4. La trayectoria de enhebrado del hilo de la aguja es la misma que la del hilo del enlazador superior hasta el punto intermedio. Luego, se cambia a la trayectoria de enhebrado del hilo de la aguja. (Consulte la página 27)
5. Cuando el hilo salga del extremo superior del enlazador superior, baje la palanca de cambio de enhebrado. (El tubo de enhebrado se desprenderá.)
6. Tire del hilo de la sección de unión del tubo de enhebrado y páselo a través del agujero ubicado justo por encima de la sección de unión.
7. Enhebre la guía del tirahilo.
8. Pase el hilo a través del agujero desde este lado y páselo a lo largo de la trayectoria de enhebrado de la misma manera que el hilo de la aguja derecha. (Consulte la página 29)
9. Empuje el accesorio de cambio de 2/3 hilos montado en el enlazador superior a la izquierda. Asegúrese de que la proyección del accesorio de cambio de 2/3 hilos esté ajustada en el agujero en el extremo superior del enlazador.

Después de realizar el procedimiento anteriormente mencionado, el hilo del enlazador superior no se alimentará, pero el hilo del enlazador inferior se alimentará para producir puntadas de 2 hilos.

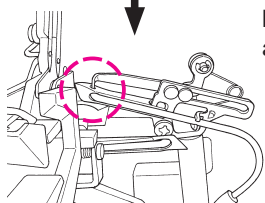


Accesorio de cambio de 2/3 hilos

Empuje la palanca a la izquierda.

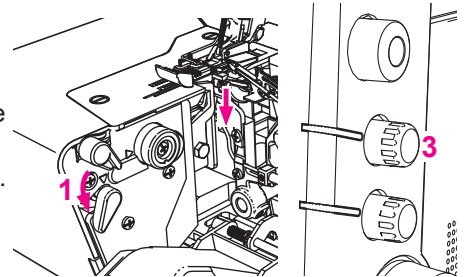


Asegúrese de que la proyección esté ajustada en el agujero.

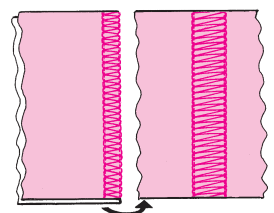


■ Pespunte decorativo (pespunte de costura abierta)

1. Desactive la cuchilla superior.
2. Use un hilo decorativo como el hilo del ánclora inferior. (Hilo de filamento es más adecuado que el hilo de la aguja. Sin embargo, el hilo de poliamida también puede ser utilizado.)
3. Ajuste el cuadrante de ajuste de la longitud de puntada a "2 a 2,5".



4. Plegar el material en dos. Realizar la costura con un overlock de anchura predeterminada.
5. Después de la terminación de la costura, desplegar el material.



* Se recomienda coser la tela mientras se permite un exceso de suministro de hilo en el borde de la tela para producir costuras de acabado hermoso.

Costura práctica: overlock

Dobladillo enrollado y sobrehilado estrecho



PRECAUCIÓN

Asegúrese de desconectar la corriente eléctrica antes de retirar o instalar la aguja.

La máquina de coser incorpora el dispositivo de dobladillar para permitir dobladillo enrollado y sobrehilado estrecho. La máquina de coser es capaz de hacer sobrehilado en los bordes de los materiales como fondo y puños de manga bellos mientras que automáticamente los pliega hacia el interior.

● Dobladillo enrollado

El dobladillo enrollado es el sistema de puntada que solapa el borde del material con el hilo del ánclora superior.

Preparación para dobladillo (dobladillo enrollado)

1. Retire la aguja izquierda. (Consulte la página 15)
2. Ajuste la perilla de cambio de puntada a "D".

● Overlock estrecho

El sobreorillado estrecho es el sistema de puntada con un ancho que es inferior a la estándar.

Preparación para sobrehilado estrecho

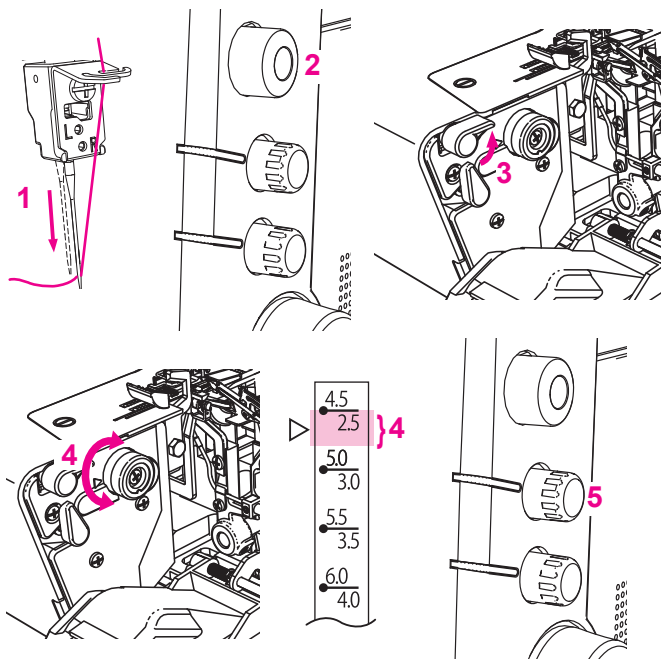
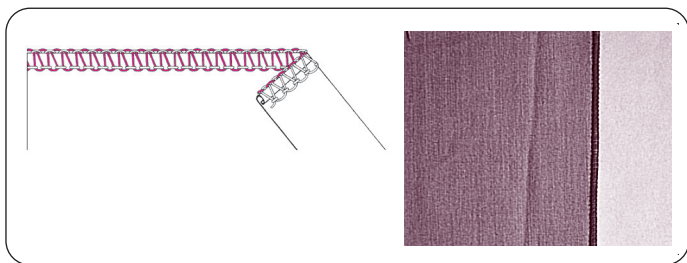
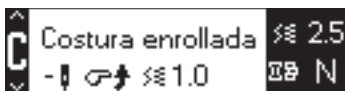
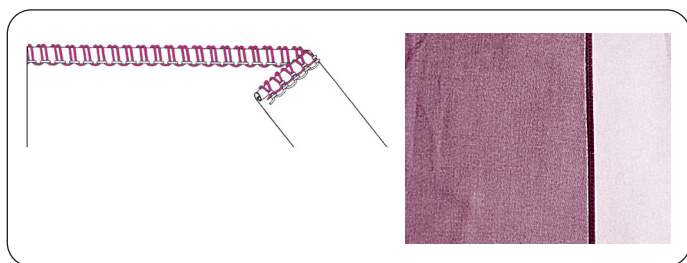
1. Retire la aguja izquierda. (Consulte la página 15)
2. Ajuste la perilla de cambio de puntada a "C".

3. Coloque la aguja derecha solamente.

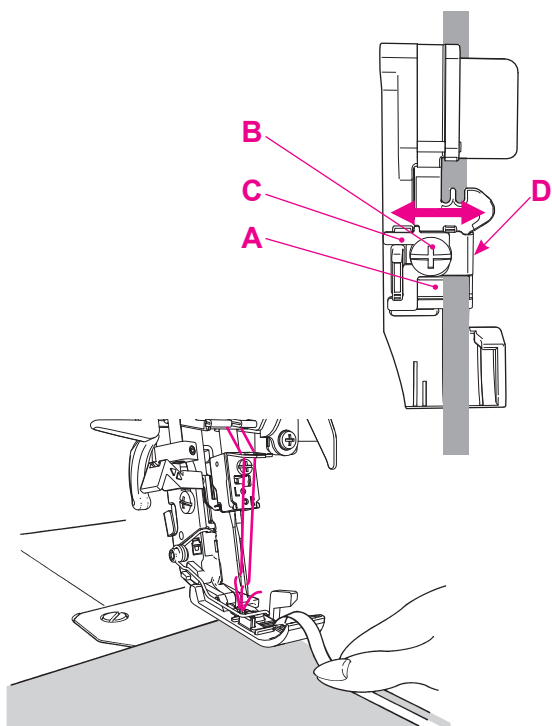
4. Tire del pomo del cambio de anchura del overlock hacia usted para bajar el ánclora de sobrehilado.

5. Ajuste el cuadrante de ajuste de corte a la marca de graduación "2,5 a 3,5".

6. Cuando utilice un hilo de filamento o hilo de nylon de lana, ajuste el dial de ajuste de la longitud de puntada (longitud de la puntada) a "0,7 a 1,5".



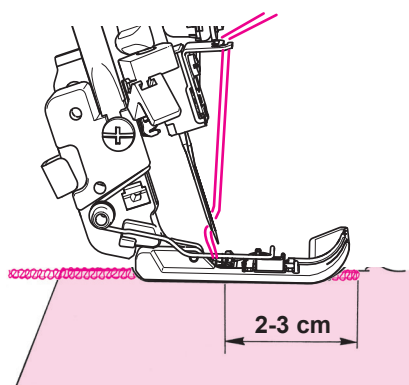
Costura práctica: overlock



Coser cinta

El prensatelas estándar está equipado con una guía-cinta. Ideal para reforzar costuras transversales en tejidos de punto o para coser cintas elásticas con bordes cortados.

1. Gire la volante hacia usted para traer la aguja a su extremo superior.
2. Eleve el prensatelas. Pase la cinta a través de la ranura de la guía de cinta **A** y tírela hasta que alcance el lado trasero del prensatelas. Luego, baje el prensatelas.
3. Afloje el tornillo de ajuste de guía **B** con el destornillador en forma de T suministrado. Ajuste la guía de cinta **C** al ancho de la cinta (**D**) y apriete el tornillo de ajuste de guía.
4. Gire el volante con la mano para coser la cinta dos o tres puntadas.
5. Coloque el material en el cual desee coser la cinta por debajo del prensatelas.
6. Cosa la cinta mientras sostiene ligeramente la cinta con la mano.

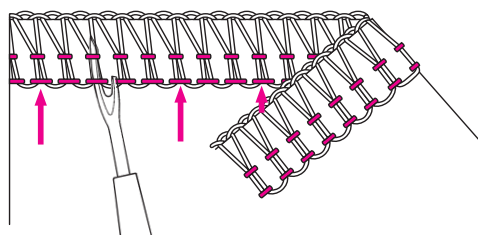


Rotura del hilo durante la costura

Cosa inmediatamente en un ángulo y elimine el trabajo. Vuelva a enhebrar.

Si la parte superior o inferior del áncora rompe el hilo durante la costura, el re-enhebrado es necesario. Quite los que están rotos y los que no lo están. Luego, coloque la palanca de enhebrado en el lado del enhebrado para enhebrar el áncora superior e inferior.

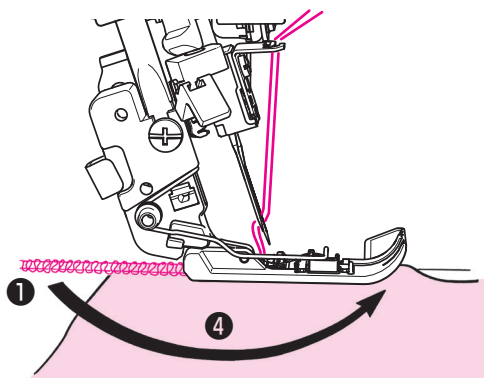
En primer lugar enhebre el hilo de las áncoras, después las agujas. Empezar a coser alrededor de 2 - 3 cm por delante de la ruptura.



Deshacer puntos

Se puede desenlazar el hilo del enlazador con facilidad cortando los hilos de las agujas derecha e izquierda con un descosedor disponible en el mercado.

Costura práctica: overlock



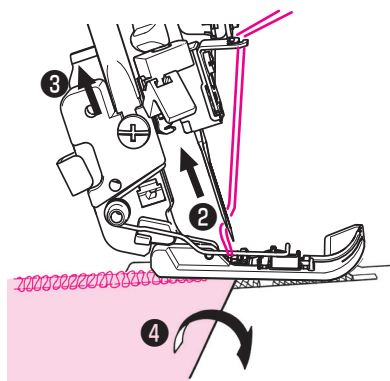
Fijar los extremos de hilos al principio y al final de la costura

Las puntadas de sobrehilado se pueden desenredar si los hilos no están seguros en el comienzo y final de la costura. Asegure los extremos de los hilos.

Asegurar que el hilo se termina con la máquina overlock

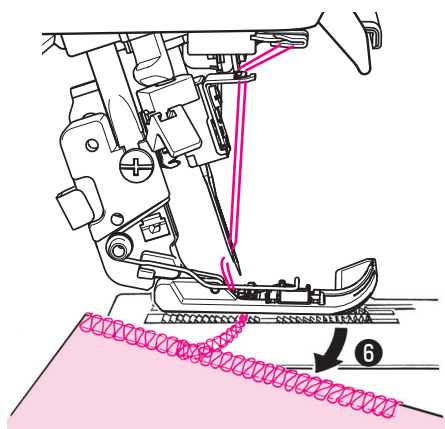
1) Securing thread ends at the beginning of sewing

1. Extraer un hilo en cadena producido en el comienzo de la costura de 3 a 4 cm.
 2. Coser el material por dos o tres puntos de sutura.
 3. Baje la aguja y levante el pie prensatela.
 4. Tire del hilo sobrante de cadeneta hacia usted y colóquelo entre el prensatelas y el material desde el lado izquierdo.
 5. Baje el prensatelas y cosa el hilo de la cadeneta en el material.
- * Si no se cose el hilo de la cadeneta en el material, produzca una cadeneta mayor al principio y al final de la costura. Entonces, haga un nudo en el hilo de la cadeneta o poner el hilo de la cadeneta debajo de la costura con una aguja de lana.
- * Si las puntadas se cruzan entre sí, el hilo de la cadeneta automáticamente se asegura.



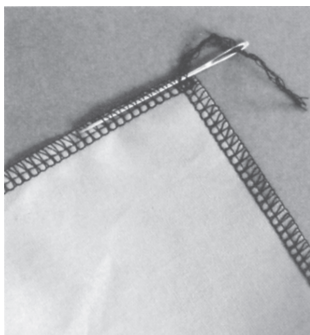
2) Asegurar el hilo que termina al final de la costura

- * Desactive la función de corte automático de hilo sobrante de cadeneta. (Consulte la página 22)
1. Detener la aguja al final del material.
 2. Levante la aguja.
 3. Levante el pie prensatelas.
 4. Gire el material al revés. Bajar la aguja de forma que entre en el borde exterior de la costura final.
 5. Baje el pie prensatela.
 6. Llevar a cabo la costura para producir hilo en cadenas de 2 a 3 cm, teniendo cuidado en no permitir que la costura termine en entrar en contacto con la cuchilla superior. Retire el material.
 7. Asegure el hilo de la cadeneta.



Costura práctica: overlock

A



En el caso de asegurar extremos del hilo con una aguja de lana: (A)

Deje unos 2 a 3 cm de longitud de hilo de la cadeneta al principio y al final de la costura. Poner los hilos de la cadeneta en la costura de acabado por medio de una aguja de lana.

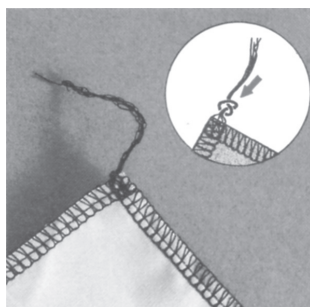
B



En el caso de fijar los extremos de hilo con cola para artesanía: (B)

Aplicar una pequeña cantidad de pegamento para la artesanía en la raíz del hilo en cadena en el material. Recorte el exceso de hilo en cadena después de que el pegamento se haya secado.

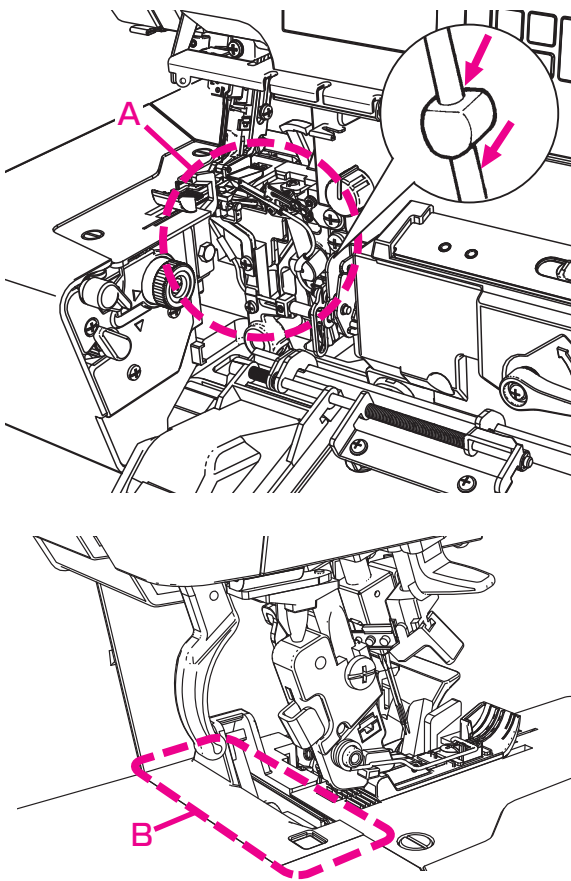
C



Fijar los extremos de hilo haciendo un nudo: (C)

Enlazar todos los hilos juntos y hacer un nudo en la posición más cercana del material. A continuación, cortar el exceso de los hilos.

Mantenimiento



Limpeza y engrase



PRECAUCIÓN

Apague el interruptor de alimentación y desconecte el enchufe de alimentación a partir de la toma de corriente antes de limpiar o lubricar la máquina.

A medida que usa la máquina de coser, es probable que los hilos se acumulen en el la máquina de coser. Es necesario eliminar la pelusa periódicamente.

Ya que la pelusa se acumula, especialmente en las secciones alrededor de la placa de la aguja y la cuchilla inferior, quite la pelusa periódicamente. (A)

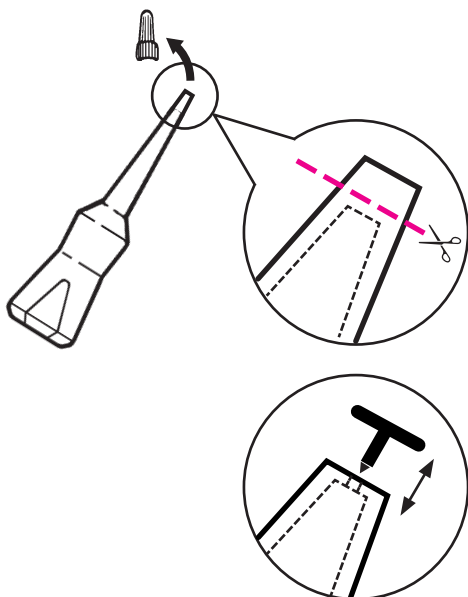
Cuando limpie los tubos de las áncoras superior e inferior, utilice la "lanzadera de hilo" que se suministra en la bolsa de accesorios. (Consulte la página 31 para saber cómo usarlo.)

Aunque no ocurra muy a menudo, puede que se genere un ruido de cosido, ya que esta máquina de coser utiliza materiales especiales en secciones críticas. En este caso, si el ruido le molesta, aplique una o dos gotas de aceite a los puntos indicados con una flecha en la figura.

Es probable que polvo y fibras se acumulen alrededor del cortador de hilo sobrante de cadeneta. Por lo tanto, elimínelos con regularidad con la escobilla de limpieza suministrada como accesorio con la máquina de coser.

Precauciones que se deben tomar al manipular aceite

- * En caso de que el aceite entre en el ojo o se adhiera a la piel, lávese inmediatamente con el fin de prevenir la irritación y erupción cutánea.
- * En caso de ingestión accidental, acuda inmediatamente para consejo médico con el fin de prevenir la diarrea y los vómitos.
- * Mantenga el aceite lejos de los niños.
- * El contenedor para el aceite de desecho está obligado por la legislación. Deseche el aceite adecuadamente, de acuerdo con la legislación pertinente.



Cómo utilizar la aceitera suministrada



PRECAUCIÓN

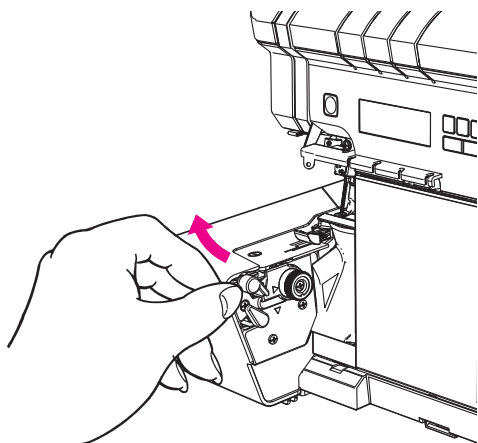
Tenga cuidado de no lesionar sus manos mientras trabaja.

Cuando utilice la aceitera por primera vez, retire la tapa y corte un poco la punta de la boquilla de la aceitera con tijeras. Luego, haga un orificio en la punta con una chincheta o algo similar.

* Tenga en cuenta que, si se corta la punta de la boquilla de la aceitera demasidamente, el orificio se quedará muy grande, dificultando el suministro de una cantidad constante de aceite.

1. Corte la punta con tijeras.
 - * Es importante dejar la parte sellada con resina (aproximadamente 0,5 mm) en vez de cortar la punta hasta alcanzar la parte penetrada.
2. Haga un orificio con una chincheta o algo similar.

Mantenimiento



Para llevar a cabo la limpieza con la tapa de lateral abierta



PRECAUCIÓN

Asegúrese de apagar el interruptor de alimentación antes de abrir la tapa de la tela.










- **Cómo abrir la tapa corredera**
Empuje este lado de la placa de la tela a la izquierda para abrirlo.
- **Cómo cerrar la tapa corredera**
Deslizar la placa de la tela hacia la máquina de coser.

Cambio de la cuchilla

Como la hoja de la cuchilla inferior y la hoja del cortador de hilo sobrante de cadeneta están hechos de material de carburo especial, normalmente no se requiere reemplazarlos. Sin embargo, se debe reemplazarlos cuando se daña el borde de la hoja.

Para el reemplazo de la hoja de la cuchilla inferior, hoja de la cuchilla superior y hoja del cortador de hilo sobrante de cadeneta, consulte el distribuidor donde compró su máquina de coser.

Visualización de error

Visualización	Descripción del error	Medida correctiva
	Cuando ha presionado el controlador mientras el prensatelas ha sido dejado en su posición superior.	Baje el prensatelas.
	Cuando el cortador de hilo sobrante de cadeneta no pudo retornar a su posición	Retire cualquier objeto atrapado en el camino del cortador de hilo sobrante de cadeneta, si lo hubiera, y pulse el botón de corte de hilo sobrante de cadeneta. Si el error persiste después de tomar la medida correctiva anteriormente mencionada, consulte el distribuidor donde compró su máquina de coser.
	Cuando algún objeto está atrapado en el camino del cortador de hilo sobrante de cadeneta y el cortador no puede cortar el hilo sobrante de cadeneta.	Retire el objeto que está atrapado en el camino del cortador de hilo sobrante de cadeneta.
	Cuando ha intentado cortar el hilo sobrante de cadeneta con el material colocado en el camino del cortador de hilo sobrante de cadeneta.	Retire el material.
	Cuando se ha aplicado una carga excesiva al motor. (En el caso de que el mando se mantenga presionado durante cinco minutos o más)	Espere tres segundos. Luego, la pantalla retornará a la pantalla de anterior.
	Cuando ha presionado el controlador con la placa de tela dejada abierta.	Cierre la placa de tela.
	Cuando el motor se ha bloqueado.	Espere tres segundos. Luego, la pantalla retornará a la pantalla de anterior.
	Cuando ha ocurrido un defecto de la máquina de coser.	Consulte el distribuidor donde compró su máquina de coser.
		

Ayuda en caso de averías

Problema	Causa	Solución	Página
La máquina no cose	<ul style="list-style-type: none"> La tapa de la lanzadera o la tapa de la mesa de trabajo está abierta. El interruptor principal no está conectado. La máquina no está enchufada. 	Cerrar la tapa de la lanzadera o la tapa de la mesa de trabajo.	12
		Conectar la máquina, interruptor principal a „I“.	12
		Enchufar el cable de la máquina a la red eléctrica.	11
La tela no avanza regularmente	<ul style="list-style-type: none"> El transporte diferencial no está ajustado correctamente. La presión del prensatelas es demasiado floja. 	Controlar la regulación del transporte diferencial.	19
		Aumentar la presión del prensatelas.	21
El hilo se rompe	<ul style="list-style-type: none"> La máquina no está enhebrada correctamente. Las agujas no están bien colocadas. Se han utilizado agujas falsas. El ajuste de puntada está incorrecto. 	Controlar el enhebrado.	25
		Colocar las agujas hasta el tope del sujeta-agujas, con la parte plana mirando hacia atrás.	15
		Utilizar agujas del sistema 130/705 H ó JLx2.	15
		Verifique el ajuste de puntada.	9
Las agujas se rompen	<ul style="list-style-type: none"> Las agujas están torcidas, despuntadas o con puntas defectuosas. Las agujas no están bien colocadas. Se ha tirado de la tela durante la costura. El ajuste de puntada está incorrecto. 	Cambiar las agujas.	16
		Colocar las agujas hasta el tope del sujeta-agujas, con la parte plana mirando hacia atrás.	15
		Guiar la tela levemente, con ambas manos.	--
		Verifique el ajuste de puntada.	9
Faltan puntos	<ul style="list-style-type: none"> Las agujas están torcidas o despuntadas. Se han utilizado agujas falsas. La presión del prensatelas es muy floja. El ajuste de puntada está incorrecto. 	Cambiar las agujas.	15
		Utilizar agujas del sistema 130/705 H ó JLx2.	15
		Aumentar la presión del prensatelas.	21
		Verifique el ajuste de puntada.	9
Costura defectuosa	<ul style="list-style-type: none"> Los hilos no están ajustados adecuadamente entre la guía de hilo No. 1. El hilo no está bien colocado entre los discos de tensión. El hilo se ha enredado. El ajuste de puntada está incorrecto. 	Verifique si el hilo está ajustado adecuadamente entre la guía de hilo No. 1.	23
		Subir el pie prensatelas, tirar de los hilos, bajar el pie prensatelas.	23
		Controlar el enhebrado de cada hilo.	25
		Controlar el enhebrado de cada hilo.	25
		Verifique el ajuste de puntada.	9
La tela se ondula durante la costura (tejido de punto)	<ul style="list-style-type: none"> Se ha tirado de la tela durante la costura. La presión del prensatelas es demasiado alta. El transporte diferencial no está bien regulado. 	Guiar la tela levemente.	--
		Reducir la presión del prensatelas.	21
		Regular el transporte diferencial entre N y 2.	19
La tela se encoge (fruncido)	<ul style="list-style-type: none"> El transporte diferencial no está bien regulado. 	Regular el transporte diferencial entre 0,7 y N.	19

Ayuda en caso de averías

Problema	Causa	Solución	Página
El borde de la tela se enrolla	<ul style="list-style-type: none"> • Hay demasiada tela dentro de un punto. • La palanca selectora del punto está en „doblado enrollado“. 	<ul style="list-style-type: none"> • Reducir el ancho de la costura. • Colocar la palanca selectora del punto a „overlock“. 	17 20
El enlace de los hilos parece flojo	<ul style="list-style-type: none"> • Muy poca tela dentro de un punto.. 	<ul style="list-style-type: none"> • Aumentar el ancho de la costura. 	17
Anormalidades del motor	<ul style="list-style-type: none"> • El ruido que se oye. • El motor no se enciende en absoluto. • Las chispas son anormalmente grandes. 	<ul style="list-style-type: none"> • Reemplazar la escobilla de carbón por una nueva. <p>(Nota) Contacte con su distribuidor para solicitar la sustitución de la escobilla de carbón.</p>	--
La aguja ojal no se puede enhebrar	<ul style="list-style-type: none"> • La marca "■" que está en el lado de la cubierta frontal no coincide con la marca "□" en el volante. 	<ul style="list-style-type: none"> • Gire el volante para alinear la marca "□" en él con la marca "■" en el lado de la cubierta frontal. 	29,30
Las áncoras superior e inferior no se pueden enhebrar	<ul style="list-style-type: none"> • Si el volante no es fijo. 	<ul style="list-style-type: none"> • Levante la palanca de cambio de enhebrado y gire el volante para arreglarlo. 	25,27
	<ul style="list-style-type: none"> • Cuando el hilo no se inserta en la parte inferior del agujero de enhebrado. 	<ul style="list-style-type: none"> • Introduzca el hilo en el agujero de enhebrado de 1 a 2 cm. 	25,27
	<ul style="list-style-type: none"> • Si el hilo no se afloja antes del agujero de enhebrado. 	<ul style="list-style-type: none"> • Aflojar el hilo antes del agujero de enhebrado. 	25,27
	<ul style="list-style-type: none"> • Cuando el hilo está atrapado en algún lugar del camino del hilo. 	<ul style="list-style-type: none"> • Retirar el hilo de la ubicación en la que ha sido capturado. 	--
	<ul style="list-style-type: none"> • Cuando la tubería está obstruida con pelusa. 	<ul style="list-style-type: none"> • Enhebre las lanzaderas por medio de la lanzadera de enhebrado suministrada en la bolsa de accesorios para quitar la pelusa en el tubo. 	31

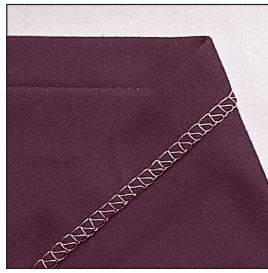
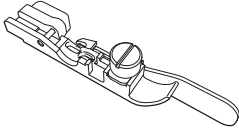
Datos técnicos

Puntos disponibles: Overlock	2 agujas, 2 lanzaderas, overlock de 4 hilos con costura de seguridad integrada 1 aguja, 2 lanzaderas: overlock de 3 hilos, costura plana, dobladillo enrollado 1 aguja, 1 lanzadera: overlock de 2 hilos, costura plana, dobladillo enrollado 2 agujas, 1 lanzadera: super-stretch de 3 hilos
Sistema de agujas	SCHMETZ 130/705 H ó JLx2
Ancho del punto	3,5-5,5 mm: (overlock de 2/3 hilos) 5,5-7,5 mm: (overlock de 4 hilos, overlock de 2/3 hilos, super-stretch de 3 hilos)
Largo del punto	0,7-4 mm
Transporte diferencial	efecto de fruncido 0,7 – N efecto de alargamiento N - 2
Palanca alza-prensateelas	Por palanca : 6 mm / 8 mm Por elevador de rodilla: 6 mm
Volante	gira hacia adelante, igual como el volante de una máquina de coser
Velocidad de la costura	máximo 1500 sti/min
Peso	11,2 kg
Dimensiones	350 (ancho) x 310 (hondo) x 340 (alto) mm
Pedal de mando	Modelo N° JC-001 (USA, Canada) Modelo N° JC-002 (220-240 V)

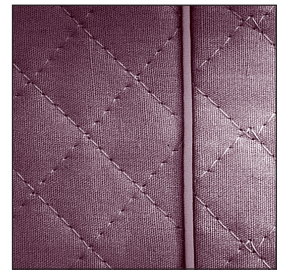
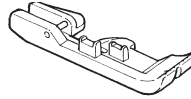
Se reservan los derechos de modificación en interés del desarrollo técnico.

Accesorios opcionales

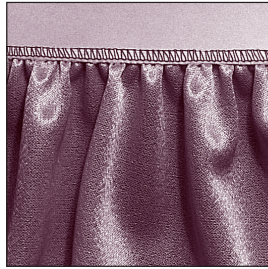
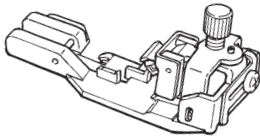
- Pie prensatelas de puntada
- Prensatelas de puntada invisible universal



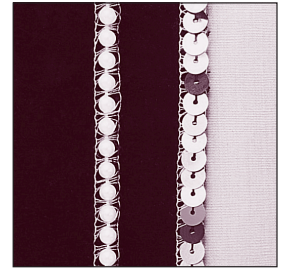
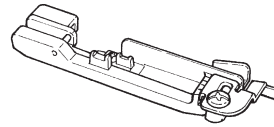
- Pie prensatelas de ribetes



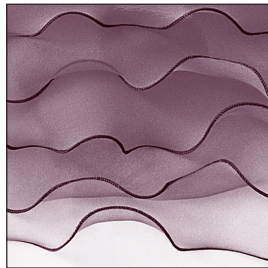
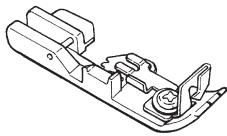
- Elasticador



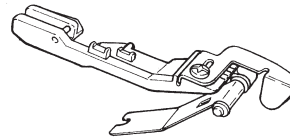
- Pie prensatelas de perlado



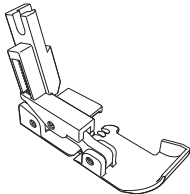
- Pie prensatelas de acordonado



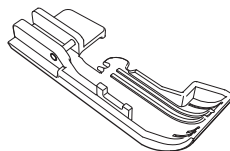
- Pie prensatelas de funcidos



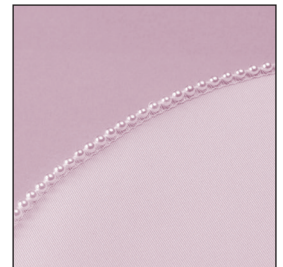
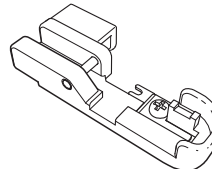
- Prensatelas de tracción



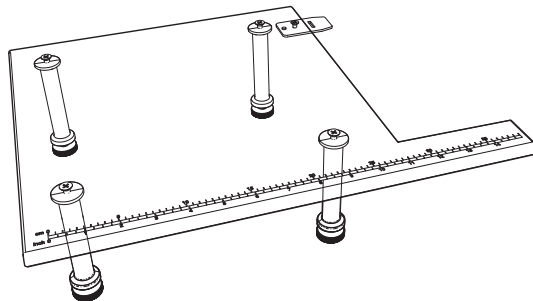
- Prensatelas transparente



- Prensatelas para perlas en curva



- Mesa extensible



Póngase en contacto con el distribuidor local.

“PRESCRIPTIONS DE SECURITE IMPORTANTES”

L'emploi d'un appareil électrique exige d'observer les mesures de sécurité suivantes:

“DANGER — Pour la protection contre tout choc électrique:”

1. Ne pas laisser la machine à points de chaînette et enveloppant sans surveillance tant qu'elle est raccordée au réseau.
2. Après usage et avant un nettoyage, séparer toujours la machine du réseau.

“ATTENTION — Pour éviter des brûlures, un feu, un choc électrique ou des blessures de personnes:”

1. Ne pas prendre la machine domestique pour un jouet. La plus grande prudence est de mise quand la machine est utilisée par des enfants ou quand elle se trouve à leur proximité. Cette machine à coudre peut être utilisée par des enfants âgés de 8 ans et plus ainsi que par les personnes ayant des capacités physiques, sensorielles ou mentales réduites, ou le manque d'expérience et de connaissances seulement si elles ont été formées et ont reçues les instructions concernant l'utilisation de la machine à coudre de manière sûre et comprendre les risques encourus. Les enfants ne doivent pas jouer avec la machine à coudre. Le nettoyage et l'entretien ne doit pas être fait par des enfants sans surveillance.
2. Utiliser la machine seulement dans le but d'accomplir les travaux décrits dans ce manuel d'instructions. N'employer que les accessoires recommandés par le fabricant. Le cordon d'alimentation et la pédale fournis dans le sac d'accessoires sont destinés exclusivement à ce modèle. N'utilisez pas un autre cordon d'alimentation et une autre pédale que ceux fournis.
3. Ne pas employer la machine, si les câbles ou les prises sont abîmés, si elle ne fonctionne pas sans problèmes, si elle est tombée par terre ou dans l'eau, ou bien a été endommagée. Apporter votre machine pour réparation ou vérification auprès de l'agent le plus proche ou du spécialiste correspondant.
4. Durant l'emploi de la machine, ne pas boucher les fentes d'aération par des bouts de fil, de la poussière et des déchets de tissu.
5. Eloigner les doigts de toute pièce en mouvement. Une prudence toute particulière s'impose à proximité des aiguilles.
6. Utiliser toujours la plaque à aiguille originale de la machine. Tout autre plaque peut provoquer la cassure de l'aiguille.
7. Ne pas utiliser d'aiguilles courbées.
8. Durant la couture, ne pas tirer sur le tissu, ni le pousser, cela peut provoquer la cassure de l'aiguille.
9. Ne pas procéder à la couture avec une épingle piquée dans le tissu étant donné que cela peut provoquer la rupture du couteau ou de l'aiguille. En outre, ne pas essayer de couper autre chose que du tissu et du fil avec les couteaux supérieur/inférieur.
10. Placer l'interrupteur principal sur «O» lors de toute activité à proximité des aiguilles, par ex. pour enfiler, changer d'aiguille ou de pied-de-biche, etc.
11. Prière de toujours retirer la prise du réseau lorsque vous effectuez, sur la machine ouverte, des travaux d'entretien mentionnés dans le manuel d'instructions, comme le nettoyage, le changement de l'ampoule, l'enfilage du boucleur, etc.
12. Ne pas introduire d'objets dans les ouvertures de la machine.
13. Ne pas employer la machine en plein air.
14. Ne pas employer la machine dans un local où l'on utilise des produits avec gaz propulseur (spray) ou de l'oxygène.
15. Pour la mise hors service, placer le commutateur principal sur «O» et retirer la fiche du réseau.
16. Débrancher en tirant sur la fiche et non sur le câble.
17. En cas de non-utilisation, l'appareil doit, en principe, être séparé du réseau en retirant la prise.
18. Si le cordon d'alimentation est endommagé, il doit être remplacé par le fabricant, son agent de service ou une personne qualifiée afin d'éviter tout accident.
19. Cette machine est équipée d'une double isolation (sauf aux USA / au CANADA). N'employer que des pièces de rechange originales. Se reporter aux indications pour la remise en état des produits à isolation double.

“ENTRETIEN DES PRODUITS A DOUBLE ISOLATION (Ex-cepté USA / Canada)”

Un produit à double isolation est équipé de deux isolations au lieu d'une mise à la terre. La mise à la terre n'est pas prévue sur un produit à double isolation et ne devrait donc pas être employée. L'entretien d'un produit à double isolation qui exige de grands soins et des connaissances poussées sur le système, doit donc être réalisé seulement par du personnel qualifié. N'employer que des pièces de rechange originales pour l'entretien et la réparation. Un produit à double isolation est désigné de la manière suivante: “Isolation double” ou “A double isolement”.

Le symbole peut également caractériser un tel produit.

“PRIERE DE CONSERVER SOIGNEUSEMENT LES PRESCRIPTIONS DE SECURITE”

Cette surjeteuse est destinée seulement à un usage familial.

Consignes de sécurité

Merci d'avoir fait l'achat d'une machine à coudre JUKI.



Avant l'utilisation, veuillez lire les consignes de sécurité sous la section « Pour utiliser la machine à coudre en toute sécurité » du Manuel d'instructions, afin de comprendre parfaitement les fonctions et procédures d'utilisation de la machine à coudre, ainsi que pour prolonger sa durée de service. Après avoir lu le Manuel d'instructions, veuillez à le conserver, avec la garantie, de façon à pouvoir le consulter en tout temps.

La garantie ne s'applique pas aux pannes survenant en dehors des conditions normales d'utilisation (qui pourraient se produire si l'utilisateur de la machine à coudre ne suit pas le mode d'emploi ou n'observe pas les précautions indiquées sur les étiquettes attachées à la machine). Elle ne s'applique pas non plus aux consommables (comme les aiguilles et les lames). Pour plus d'informations à ce sujet, consultez le document relatif à la garantie.











Pour utiliser la machine à coudre en toute sécurité

Les symboles et icônes compris dans le Manuel d'instructions ou apposés sur la machine à coudre ont pour but d'assurer l'utilisation sécuritaire de la machine à coudre et de protéger l'utilisateur et autres personnes contre les risques éventuels de blessure.

Les symboles de mise en garde sont utilisés aux diverses fins décrites ci-dessous.

 AVERTISSEMENT	Indique un risque éventuel de décès ou de blessure grave en cas d'ignorance de ce symbole et d'une mauvaise utilisation de la machine à coudre.
 ATTENTION	Indique une utilisation qui comporte un risque éventuel de blessure et/ou de dommages matériels en cas d'ignorance de ce symbole et d'une mauvaise utilisation de la machine à coudre.

La signification des icônes est telle que décrite ci-dessous.

	Mise en garde contre un danger non spécifié		Risque de choc électrique		Risque d'incendie		Risque de blessure aux mains, etc.
	Interdiction non spécifiée		Démontage/modification interdit		Ne pas mettre les doigts sous l'aiguille		Ne pas huiler, etc
	Comportement généralement requis		Débrancher la fiche d'alimentation				

! AVERTISSEMENT

Pour combiner l'aiguille en fonction de la matière et du fil, reporter vous à la section «remplacement de l'aiguille»

Si l'aiguille ou le fil n'est bien adapté au tissu, comme dans le cas d'un tissu très lourd (p. ex. du jean) cousu avec une aiguille mince (n° 11 ou supérieure), l'aiguille risquera de se casser et de causer une blessure.

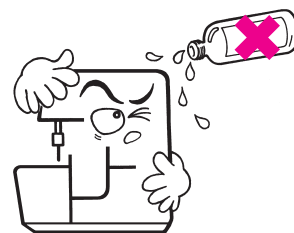
Autres précautions à prendre

- Ne pas mettre la machine à coudre sous la lumière solaire directe ou dans un emplacement humide.



- Ne pas nettoyer la machine avec un solvant tel qu'un diluant.

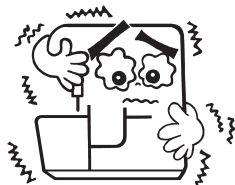
Si la machine à coudre est sale, mettre un peu de détergent neutre sur un linge doux, et le passer soigneusement sur la machine à coudre pour enlever les taches.



Il faut savoir que l'état suivant peut avoir lieu du fait que la machine intègre des semi-conducteurs et des circuits électroniques.

- Penser à utiliser la machine à coudre dans une plage de température de 5 °C à 40 °C.

À température excessivement basse, la machine risque de ne pas fonctionner normalement.



* La température de fonctionnement de la machine à coudre est de 5 °C à 40 °C. Ne pas utiliser la machine à coudre sous la lumière solaire directe, près de sources de flammes telles qu'un poêle ou une chandelle, ni dans un emplacement humide. Cela risquerait de faire monter la température à l'intérieur de la machine à coudre ou de faire fondre la gaine du cordon d'alimentation, causant un incendie ou un choc électrique.



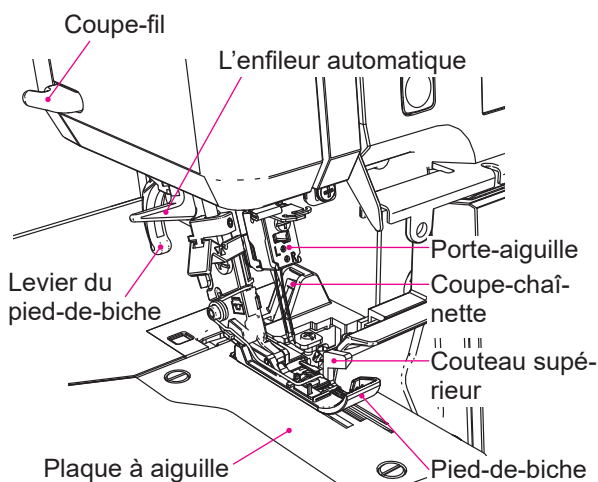
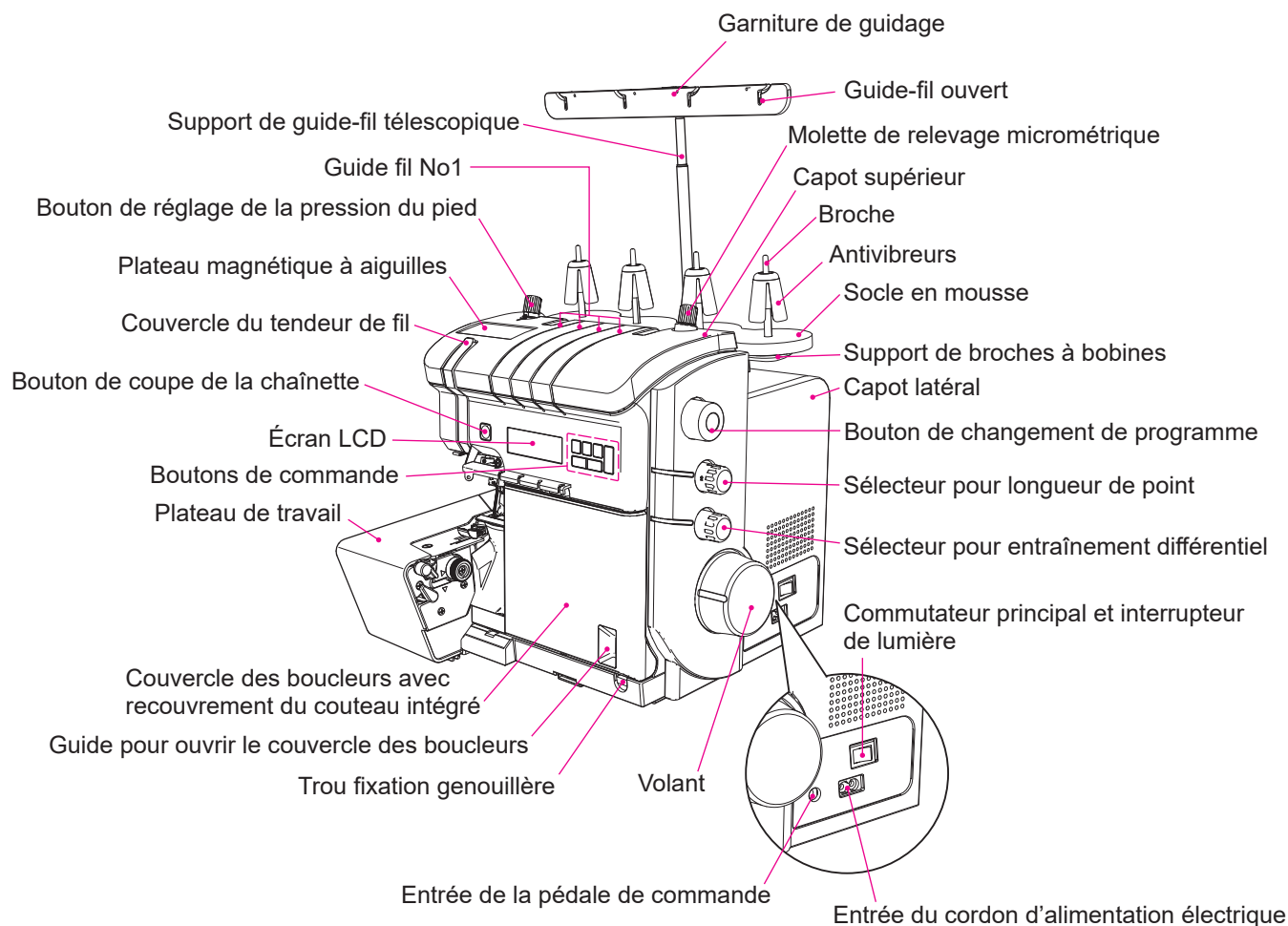
Scannez le code QR avec votre appareil mobile pour accéder aux instructions en vidéo ou visitez notre site de tutoriels vidéo.

<https://www.youtube.com/playlist?list=PLY0cKTfgy6QyzRxeIR4qTQ6xs0VGid9Hg>

Table des matières

Consignes de sécurité	1-3	Préparer l'enfilage / conseils	23
Table des matières	4	Récapitulation des points	24
Détails de la machine	5,6	Enfilage du point de surjet à 4/3 fils..	25-31
• Accessoires	6	• Fil de boucleur inférieur	25,26
• Récupérateur de chutes	6	• Fil de boucleur supérieur	27,28
Boutons de commande sur l'écran LCD..	7	• Aiguille de droite	29
Modification et configuration	8,9	• Aiguille de gauche	30
Préparation de la machine / mise en service	10,11	• Comment utiliser l'enfile boucleur	31
• Guide-fil	10	Essai de couture	32
• Mise en place des bobines de fil	10	Couture pratique avec surjet	33-39
• Raccordement de la pédale	11	• Surjet 2 aiguilles, 4 fils	33
Mise en service	12-15	• Surjet 1 aiguille 3 fils	34
• Commutateur principal et interrupteur de lumière	12	• Surjet 1 aiguille 2 fils	35
• Couvercle du boucleur	12	• Ourlet roulé et surjet étroit	36
• Volant	13	• Pose de ruban	37
• Levier du pied-de-biche à deux positions avec releveur intégré des pointes du pied-de-biche	13	• Cassure du fil durant la couture	37
• Utilisation du levier de levage au genou	13	• Découdre une couture	37
• Remplacement du pied-de-biche	14	• Fixer les extrémités du fil au début et à la fin de la couture	38,39
• Comment utiliser le pied presseur	14	Maintenance	40,41
• Le couteau supérieur est désactivé	15	• Nettoyage et huilage	40
• Mettre les aiguilles en place	15	• Remplacement du couteau	41
Aiguille et fil	16	Affichage des erreurs	42
Réglage et utilisation	17-22	Comment éliminer soi-même les pannes	43,44
• Longueur de point	17	Spécifications techniques	45
• Position du couteau	17	Accessoires spéciaux	46
• Réglage fin de la largeur du point	18		
• Entraînement différentiel	19		
• Fronçage	20		
• Ourlets roulés	20		
• Pression du pied-de-biche	21		
• Réglage de la hauteur du pied presseur avec la molette de relevage micrométrique	21		
• Coupe de la chaînette automatique	22		

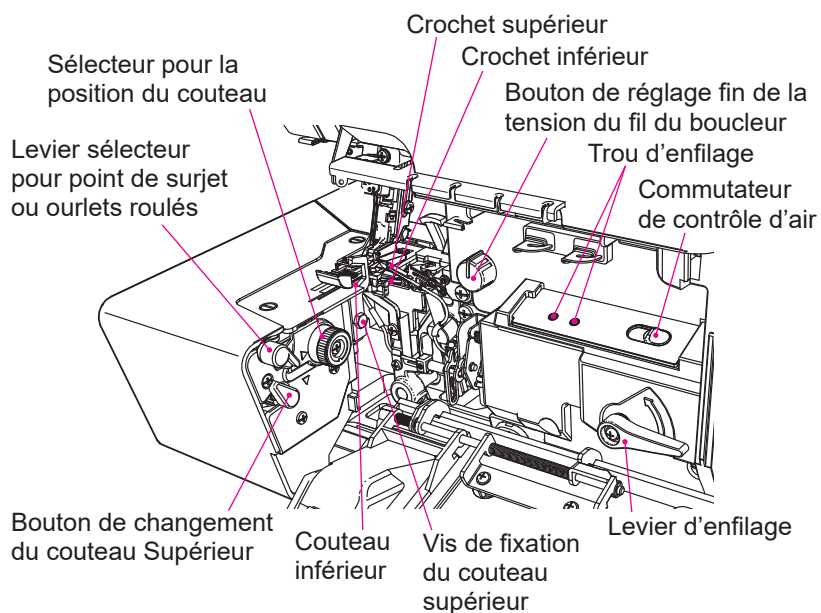
Détails de la machine



● Vue, le couvercle du boucleur ouvert

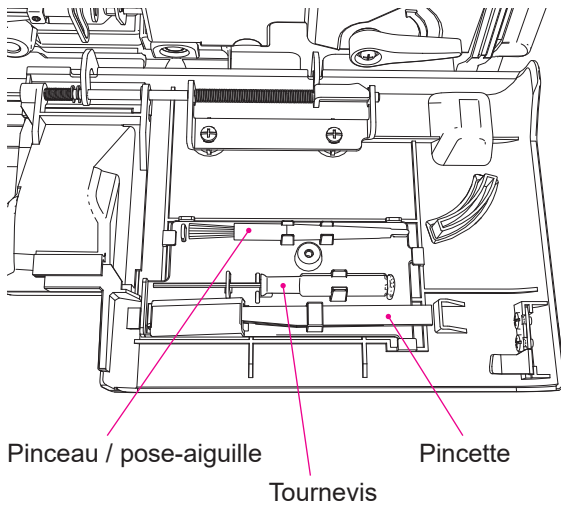
ATTENTION

Assurez vous d'avoir éteint la machine avant d'ouvrir le capot du boucleur.



Détails de la machine

● Accessoires



Pinceau / pose-aiguille

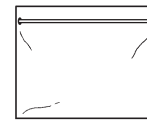
Tournevis

Pincette

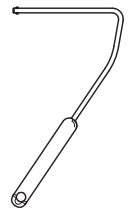
Pédale électronique
(Modèle n°: JC-001)



Pochette d'accessoires



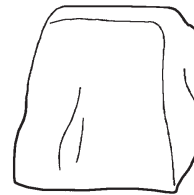
Genouillère



Cordon d'alimentation



Housse de protection



Rondelles de maintien



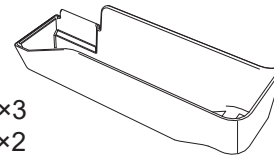
Enfileur du boucleur



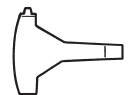
Aiguille à laine



Récupérateur de chutes

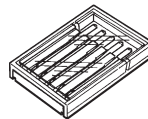


Tournevis en T



Jeu d'aiguilles

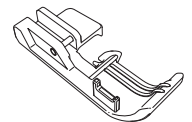
HA×1 N° 80 (N° 12)×3
N° 90 (N° 14)×2



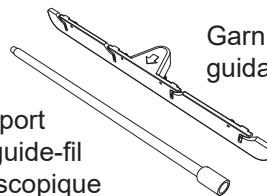
Huileur



Pied incurvé

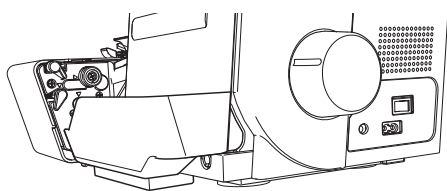
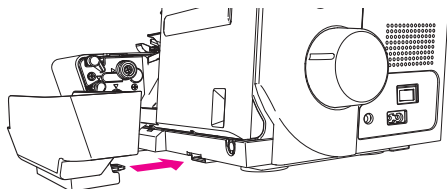


Support de guide-fil
télescopique



Garniture de guidage

· Manuel d'instructions
(Ce manuel)



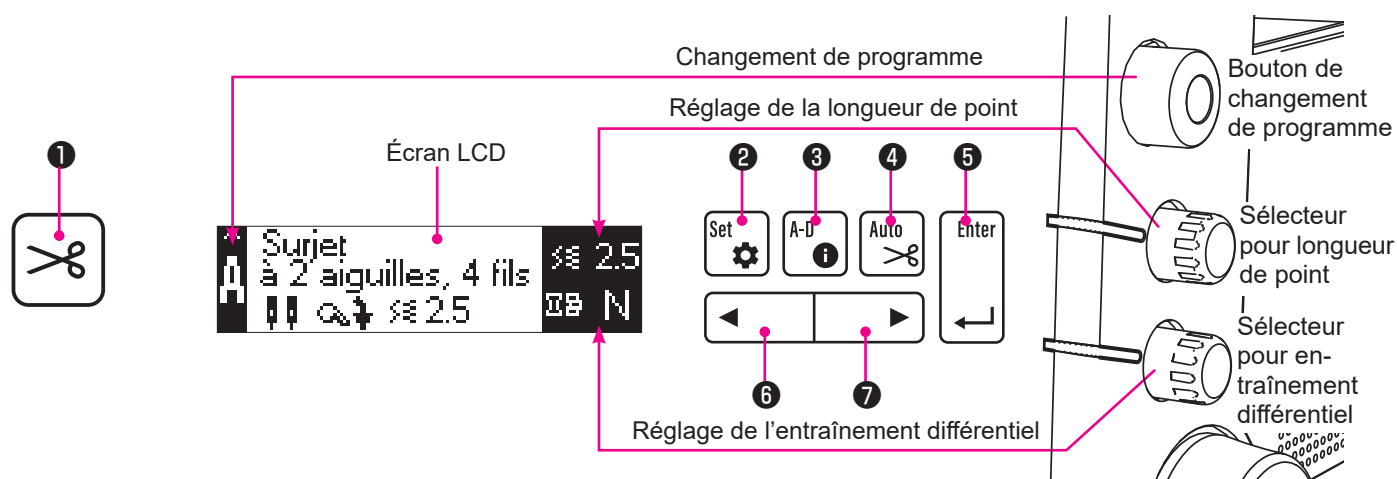
Récupérateur de chutes

Insérez le récupérateur de chutes dans le trou situé dans la partie inférieure du couvercle des boucleurs.

Le récipient récupère les déchets après la coupe du tissu.

Le poste de travail reste propre et bien ordonné.

Boutons de commande sur l'écran LCD



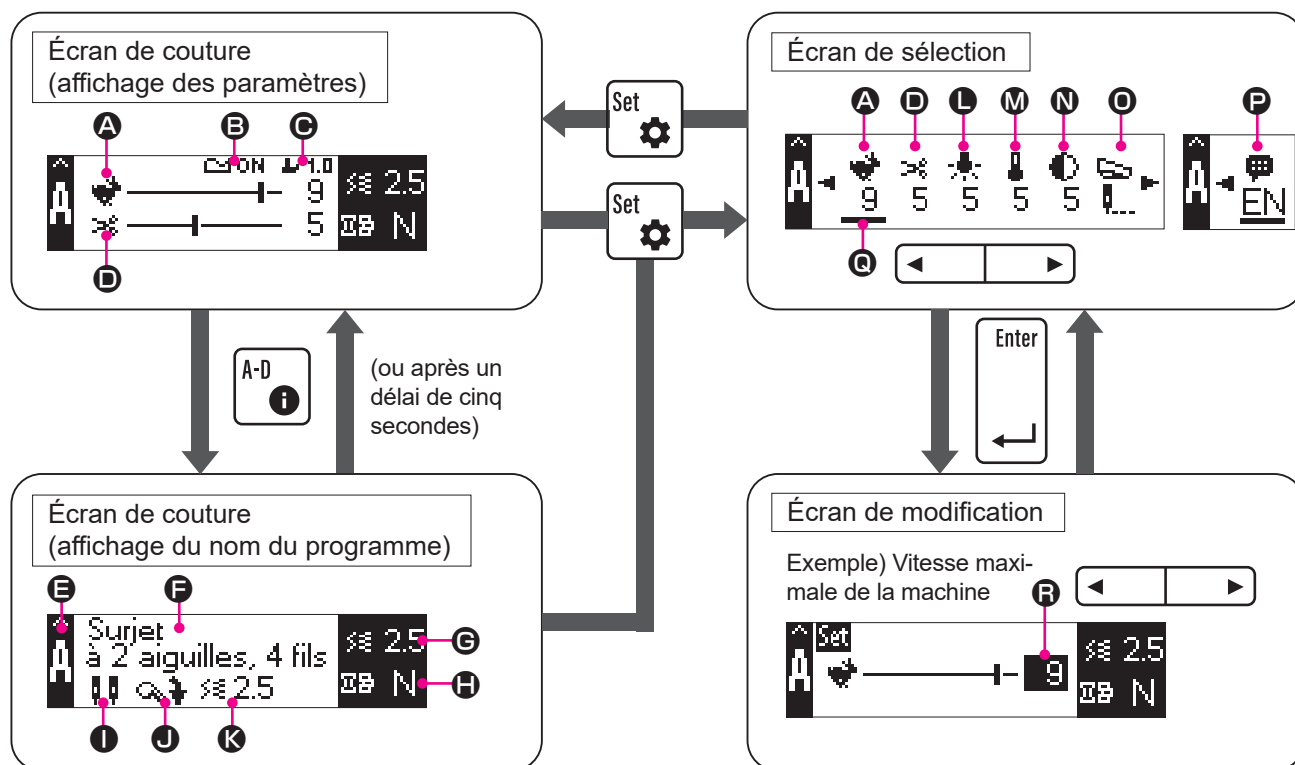
	Nom du bouton	Fonction
①	Bouton de coupe de la chaînette	Utilisez ce bouton pour couper manuellement la chaînette. * La chaînette est la formation du fil réalisé sans matière.
②	Bouton de modification	Affiche l'écran de modification des données. Ce bouton permet de modifier la "vitesse de la machine", la "longueur de coupe de la chaînette automatique", l'"éclairage des mains par LED", la "température de couleur de la LED des mains", le "contraste de l'écran LCD", la "Fonctionnement de la machine avec l'interrupteur au pied" et la "langue d'affichage".
③	Bouton d'affichage du nom du programme	Affiche l'écran d'affichage du nom du programme. Quatre programmes différents sont disponibles : "A : 2 aiguilles / 4 fils", "B : 1 aiguille / 3 fils", "C : Surjets étroits" et "D : Ourlet roulé".
④	Bouton de changement de coupe de la chaînette automatique	Change l'activation/désactivation de la coupe de la chaînette automatique. Lorsque ce bouton est placé sur ON, la fin du tissu est détectée à la fin de la couture et le fil de chaînette est automatiquement coupé à la longueur définie.
⑤	Bouton Entrée	Confirme le contenu que vous avez modifié.
⑥	Bouton Gauche	Déplace vers la gauche la barre de sélection sur l'écran LCD.
⑦	Bouton Droit	Déplace vers la droite la barre de sélection sur l'écran LCD.

* Les boutons sont désactivés lorsque la machine à coudre est en marche.

	Affichage de l'écran LCD	Données affichées	
①		Affiche le programme.	Changez le programme à l'aide du bouton de changement de programme.
②		Affiche la longueur de point.	Réglez la longueur de point en tournant la molette de réglage du point.
③		Affiche la valeur de l'entraînement différentiel.	Réglez la valeur de l'entraînement différentiel en tournant la molette de réglage de l'entraînement différentiel.

Modification et configuration

Affichage de l'écran LCD



	Données affichées
A	Vitesse maximale de la machine
B	Capteur de détection de tissu ON (avec tissu) · OFF (sans tissu) (Ce paramètre est affiché uniquement lorsque la fonction de coupe de la chaînette automatique est activée.)
C	Hauteur du pied presseur par le relevage micrométrique (Ce paramètre ne s'affiche que lorsque le pied presseur est soulevé avec le cadran micro-releveur.)

	Données affichées
D	Longueur de coupe de la chaînette automatique
E	Symbole du programme
F	Nom du programme
G	Longueur du point
H	Valeur de l'entraînement différentiel
I	Nombre et positions des aiguilles à régler
J	Position du bouton de changement de la largeur de surjet

	Données affichées
K	Valeur recommandée pour la largeur du point
L	Éclairage par LED des mains
M	Température de couleur de la LED des mains
N	Contraste de l'écran LCD
O	Fonctionnement de la machine assuré en actionnant l'interrupteur au pied
P	Langue d'affichage
Q	Barre de sélection
R	Valeur de réglage

1. Au démarrage de la machine à coudre



Écran de bienvenue

Après un délai de quatre secondes

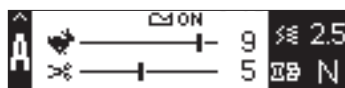


Appuyez sur le bouton de coupe de la chaînette.



ATTENTION

N'oubliez pas que le coupe-chaînette va bouger.



L'écran de couture (affichage des paramètres) s'affiche.

2. Comment choisir le programme

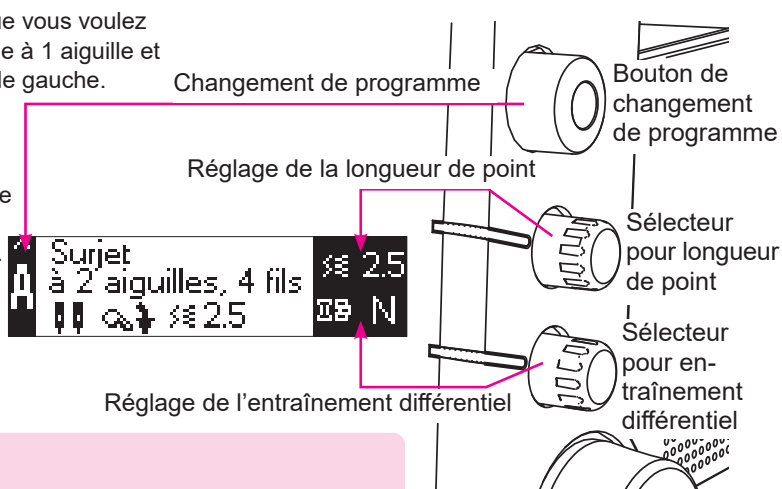
Changez le programme de couture en tournant le bouton de changement de programme.



* Sélectionnez "A" lorsque vous voulez appliquer un programme à 1 aiguille et 3 fils en utilisant l'aiguille gauche.

*** Utilisez l'aiguille droite.**

* Si vous voulez coudre le programme "1 aiguille / 2 fils", sélectionnez "B".



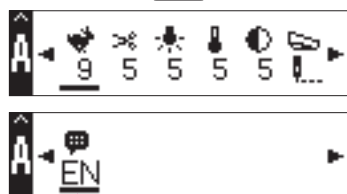
◆ Tension du fil

Ce produit a adopté le type d'entraînement par contrôleur de tension de fil automatique. Parce que ce contrôleur de tension de fil automatique fournit la quantité de fil nécessaire en fonction du programme, de l'épaisseur du tissu, de la longueur du point et de la largeur du couteau que vous avez sélectionnés, il n'est pas nécessaire de régler la tension du fil.

3. Éléments pouvant être réglés et méthode de réglage

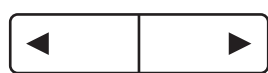
Écran de sélection des données

Appuyer sur



Barre de sélection

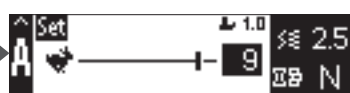
La barre de sélection clignote sous l'élément que vous avez sélectionné.



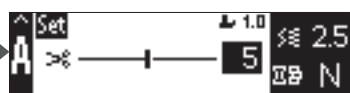
Appuyez sur ces boutons pour sélectionner ou modifier l'élément.

Appuyez sur ce bouton pour confirmer la sélection ou la modification que vous avez effectuée.

Écran de modification des données

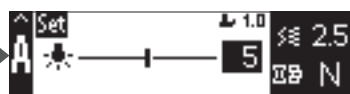


Il est possible de modifier la vitesse maximale de la machine.
1: Lent → 10: Rapide

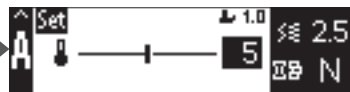


Il est possible de régler la longueur de coupe de la chaînette automatique.
1: 1cm → 10: 10cm

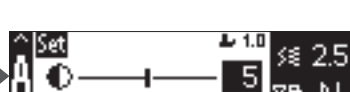
* La longueur de coupe de la chaînette est une indication approximative. Elle varie en fonction des conditions de couture telles que le type de fil et la longueur du point.



L'éclairage de la LED des mains peut être modifié.
0: Sombre → 10: Clair



La température de couleur de la LED des mains peut être modifiée.
0: Basse (système de couleurs froides) → 10: Élevée (système de couleurs chaudes)



Le contraste de l'écran LCD peut être modifié.
1: Élevé → 10: Faible



Il est possible de modifier le fonctionnement de la machine pour la commander par pression sur l'interrupteur au pied.

: Demi-point/point d'incision à faible vitesse

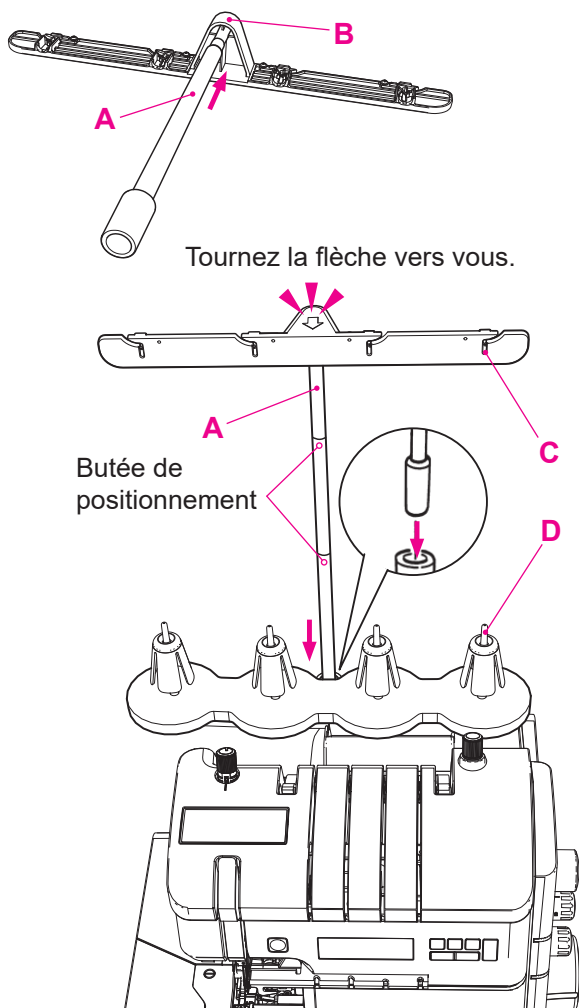
: Coupe de la chaînette



La langue d'affichage de l'écran LCD peut être modifiée.
Japonais, anglais, espagnol, allemand, français, italien, néerlandais, danois, norvégien, finlandais, suédois, tchèque, russe et chinois

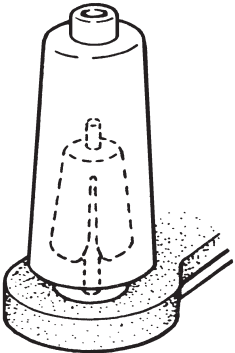
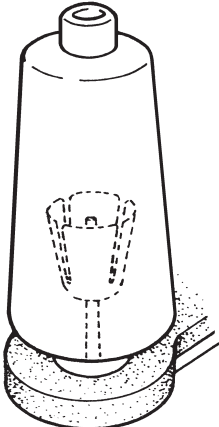
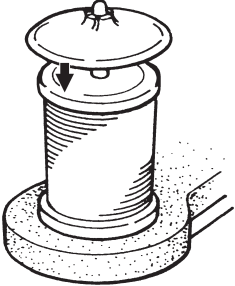
Après avoir effectué la modification, appuyez sur et pour revenir à l'écran de couture.

Préparation de la machine / mise en service

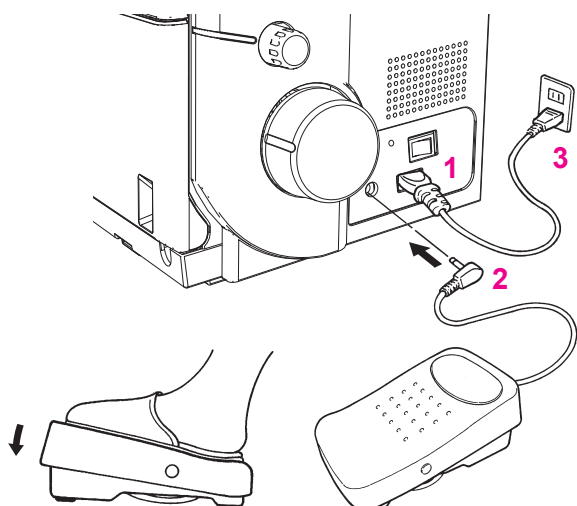


Guide-fil

1. Insérez la tige de support rétractable (A) dans la garniture de guidage (B).
2. Extrayez la tige de support rétractable (A) pour la mettre dans la butée de positionnement jusqu'à ce qu'elle s'enclenche. Ensuite, installez le guide-fil ouvert (C) de manière à ce qu'il soit positionné directement au-dessus de la broche (D).

	<p>Mise en place des bobines de fil</p> <p>Lors de l'emploi de cônes de fil normaux, placer les antivibrateurs sur les broches en tournant le côté le plus large vers le bas.</p>		<p>Grandes bobines</p> <p>Si vous vous servez de grandes bobines industrielles, installez les antivibrateurs à l'envers, c'est-à-dire sur les broches en tournant le côté le plus large vers le haut.</p>
	<p>Bobines familiales</p> <p>Pour les bobines familiales, enlever les antivibrateurs, placer les bobines de fil. Ensuite, introduire les rondelles de maintien sur les broches avec l'arrondi du bord extérieur tourné vers le bas.</p>		

Préparation de la machine / mise en service



⚠ AVERTISSEMENT:

Mettez le commutateur principal de la machine sur OFF avant de brancher ou débrancher.

Raccordement de la pédale

1. Insérez la fiche du cordon d'alimentation dans la prise de la machine.
2. Insérez la fiche de la pédale de commande dans le port d'insertion de la pédale de commande.
3. Insérez la fiche du cordon d'alimentation dans la prise secteur.

Une pression plus ou moins grande sur la surface d'appui de la pédale permet de modifier progressivement la vitesse de la machine.

⚠ "ATTENTION"

Cet appareil à une prise polarisée (une des fiches est plus large que l'autre).

Afin de réduire tout risque d'électrocution cette prise ne peut se brancher que d'une seule manière. Si la prise ne se branche pas correctement ou si elle ne s'enfonce pas complètement, retournez là. Si le branchement ne va toujours pas, contactez un électricien spécialisé qui installera la prise qui convient. Ne surtout pas modifier la prise d'origine. (pour les Etats-unis et le Canada seulement).

■ Réglage de l'interrupteur au pied

Lors du réglage initial, l'interrupteur au pied a été réglé sur "Demi-point/point d'incision à faible vitesse".

Il est possible de sélectionner "Coupe de la chaînette" en changeant le réglage. (Voir page 9)

⏏ : Demi-point/point d'incision à faible vitesse

• Demi-point

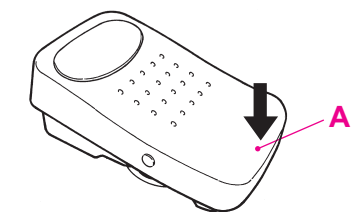
Il est possible de coudre des demi-points en appuyant légèrement sur l'interrupteur au pied (**A**).

• Point d'incision à faible vitesse

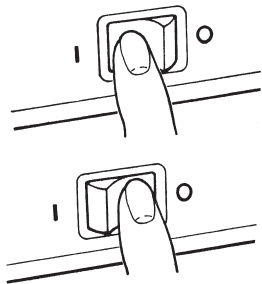
Appuyez et maintenez enfoncé l'interrupteur au pied (**A**) pour effectuer la couture à une vitesse réduite.

✂ : Coupe de la chaînette

Il est possible de couper la chaînette en appuyant sur l'interrupteur au pied (**A**).



Préparation de la machine / mise en service



Commutateur principal et interrupteur de lumière

Le commutateur principal / interrupteur de lumière est disposé visiblement du côté du volant devant la prise de la machine.

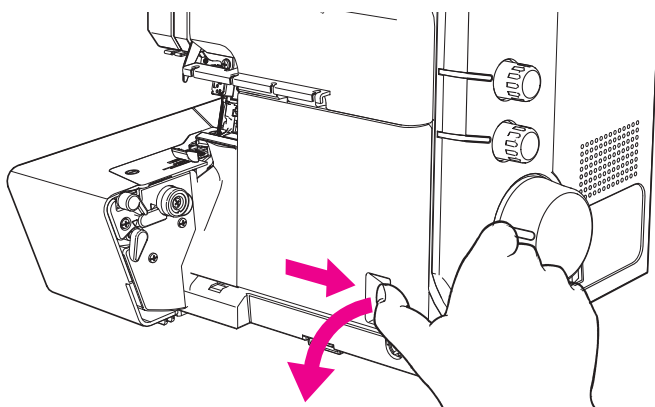
I = marche

O = arrêt

AVERTISSEMENT:

Effectuer ces opérations lorsque la machine est inutilisée.

1. Placer l'interrupteur d'alimentation sur arrêt.
2. Débrancher la fiche d'alimentation de la prise murale.
3. Ne rien placer sur le contrôleur.



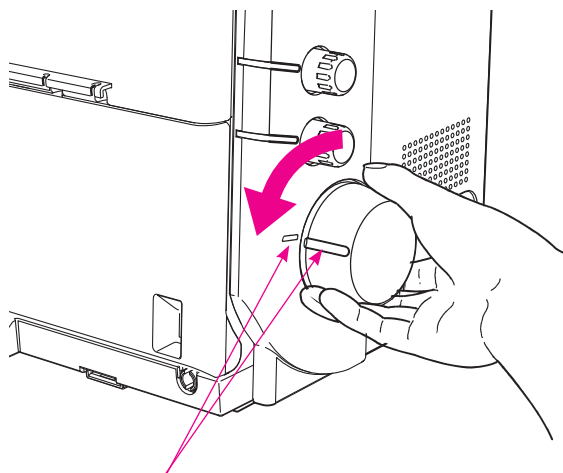
Couvercle du boucleur

Pour ouvrir le couvercle du boucleur, pousser à droite, sur l'échancrure, avec le pouce, puis faire basculer le couvercle vers l'avant. Pour refermer, relever le couvercle, puis le presser légèrement à droite jusqu'à ce qu'il s'encliquette.

Dispositif de sécurité: La machine est équipée d'un dispositif de sécurité pour la prévention de tout mauvais fonctionnement. Ce dispositif ne pourra fonctionner dans les cas suivants:

- quand le capot du boucleur est ouvert
- quand la plaque à tissu est ouverte
- quand le pied presseur est en position haute

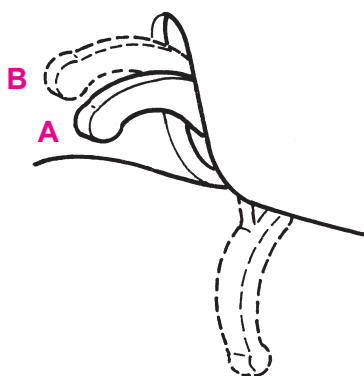
Mise en service



* L'aiguille est positionnée en position haute en alignant le repère "■" du capot avec le repère "□" du volant.

Volant

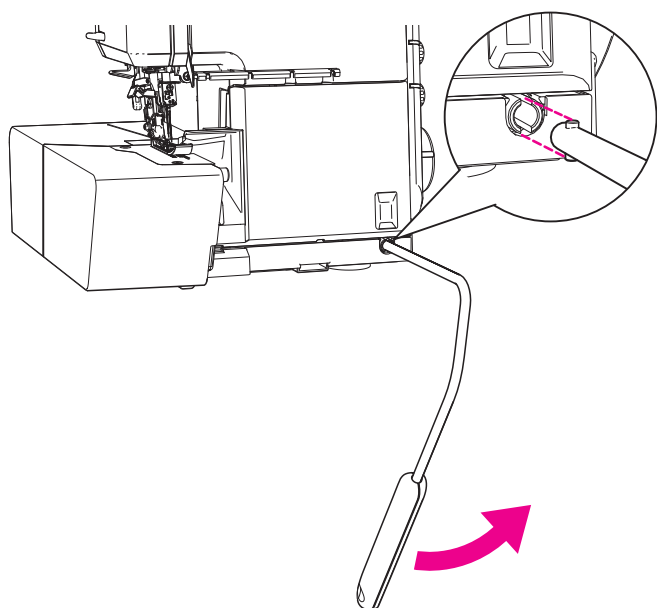
Le volant tourne dans le sens inverse des aiguilles d'une montre, comme sur la machine à coudre familiale.



Levier du pied-de-biche à deux positions avec releveur intégré des pointes du pied-de-biche

Pour relever le pied-de-biche, déplacer le levier du pied-de-biche vers le haut, jusqu'à ce qu'il bute (A). Si le levier est pressé tout à fait en haut, l'écart entre la plaque à aiguille et le pied-de-biche (B) est agrandi. Si le pied-de-biche est en haut (A+B), la pointe du pied-de-biche est aussi relevée.

Indication: si le pied-de-biche est relevé, toutes les tensions de fil sont libérées. De cette manière, l'enfilage devient plus facile.



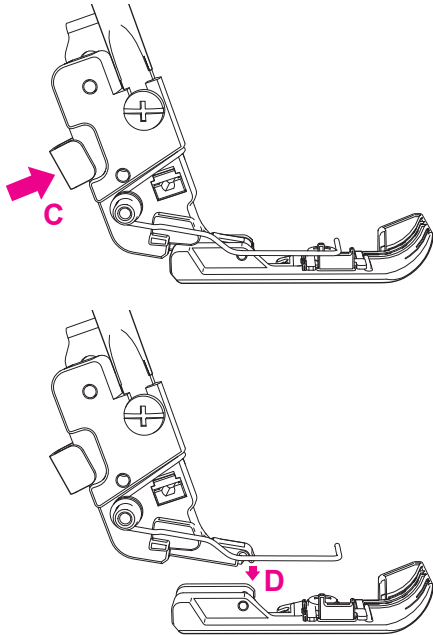
Utilisation du levier de levage au genou

Vous pouvez lever ou baisser le pied presseur sans retirer vos mains du tissu.

1. Insérez la partie saillante du levier de levage au genou dans la partie creuse du trou de montage.
2. Poussez le levier de levage au genou vers la droite pour lever le pied presseur, ou vers la gauche pour le baisser.

* Ne touchez pas le levier de levage au genou pendant la couture. Si vous le touchez, le pied presseur se lèvera et la couture sera déformée.

Mise en service



Remplacement du pied-de-biche

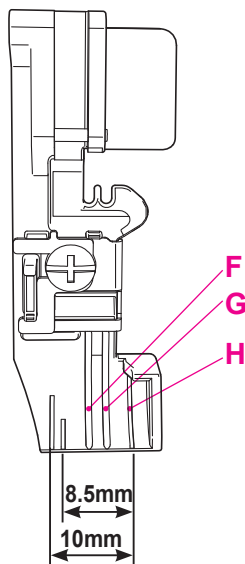
ATTENTION

Lorsque vous souhaitez changer de pied presseur, ÉTEIGNEZ la machine à l'aide du bouton d'alimentation et abaissez le couteau supérieur.

- Relever le pied-de-biche.
- Tourner le volant en avant et amener les aiguilles à leur position la plus élevée. Placer, côte à côte, les flèches de repère du volant et du capot latéral.

Presser le levier de libération (C). Le pied-de-biche se libère de son support. Presser le levier du pied-de-biche tout à fait en haut (B), puis retirer le pied-de-biche par la gauche.

Pour fixer le pied-de-biche, le poser sous la tige. Pour cela, la rainure de la tige doit être exactement au-dessus de la tige du pied-de-biche (D). Abaisser le levier de relevage du pied de biche et vérifier que la rainure sur la tige s'aligne exactement sur la broche du pied de biche (D). Le cas contraire, enfoncer le levier de libération (C) pour l'aligner.



Comment utiliser le pied presseur

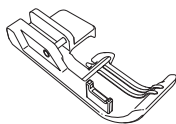
Utiliser les repères sur le pied afin de les utiliser comme guide quand vous placez la matière sous le pied.

(F) Position Gauche de l'aiguille

(G) Position Droite de l'aiguille

(H) Position du couteau (lorsque la molette de réglage de la largeur de coupe se trouve sur le repère "3,0")

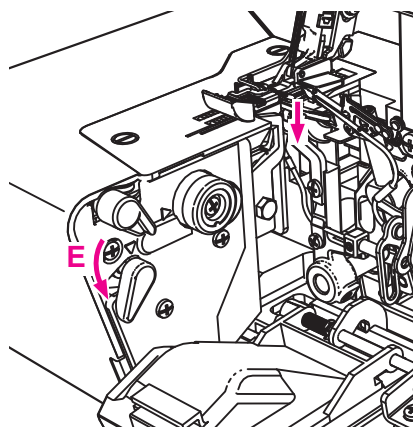
La position du couteau correspond à l'endroit où sera coupé le tissu.



• Pied incurvé

Plus petit que le pied presseur standard, le pied incurvé est capable d'effectuer des virages serrés. Il est utile pour coudre de petites courbes.

Mise en service



Coudre sans couper la matière (le couteau supérieur est désactivé)



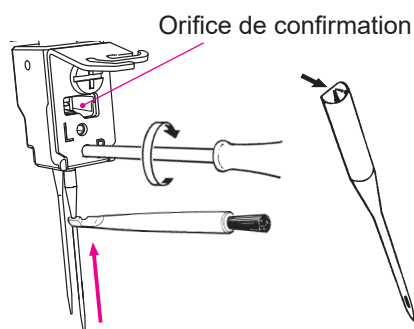
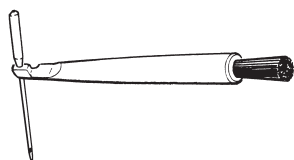
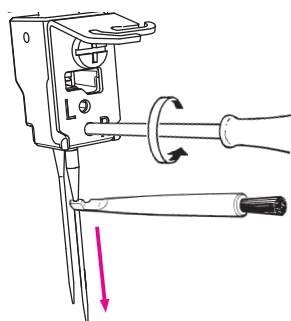
ATTENTION

Pour désactiver le couteau supérieur, levez le pied presseur et **ÉTEIGNEZ** la machine à l'aide du bouton d'alimentation.

1. Abaisser le bouton de changement du couteau supérieur dans le sens de la flèche.
2. Assurer vous que le couteau est abaissé.

Attention:

Pour utiliser le couteau supérieur, placez le bouton de remplacement du couteau supérieur en position **E** et tournez le volant de deux tours environ pour lever le couteau supérieur.



Mettre les aiguilles en place



ATTENTION

Couper le circuit de la machine en mettant le commutateur principal sur „O“.

Le guide d'aiguille situé dans le manchon du pinceau permet la mise en place facile et rapide des aiguilles.

Tourner le volant en avant et amener les aiguilles à leur position la plus élevée. Placer, côte à côte, les flèches de repère du volant et du capot latéral.

Abaisser le pied-de-biche.

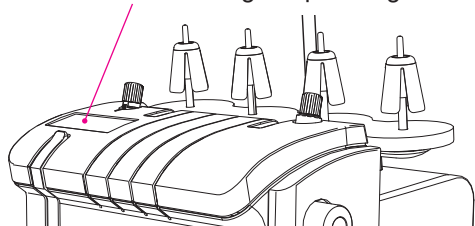
Desserrer la vis de fixation de l'aiguille avec le tournevis. Enlever les aiguilles.

Selon le point choisi, introduire l'aiguille à droite ou à gauche.

Placer les aiguilles avec le côté plat à l'arrière dans le guide situé sur le manchon du pinceau, puis introduire les aiguilles dans le porte-aiguille jusqu'à ce qu'elles butent en haut. Resserrer les vis de fixation des aiguilles.

- * En regardant à travers l'orifice de confirmation, vous pouvez vérifier que l'aiguille est entièrement insérée dans l'orifice d'introduction de l'aiguille.
- * Attention: si vous serrez la vis excessivement, vous risquez de plier la plaque de métal à l'intérieur du pince-aiguille. Veillez à ne pas serrer la vis excessivement.

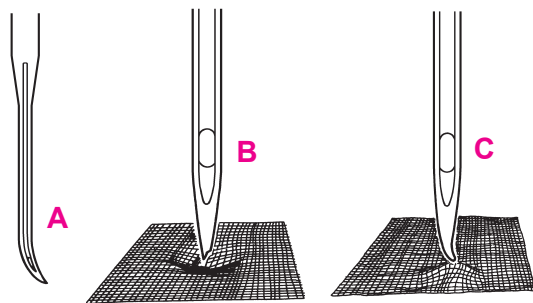
Plateau magnétique à aiguilles



• Plateau magnétique à aiguilles

Vous pouvez placer l'aiguille que vous avez remplacée sur ce plateau.

Aiguille et fil



Aiguille

Les aiguilles doivent être en bon état.

Des difficultés apparaîtront dans les cas suivants:

A Aiguille tordue.

B Aiguille émoussée ou endommagée.

C Pointe de l'aiguille avec des bardes.

Aiguille et fil

La grosseur de l'aiguille dépend du fil choisi. L'aiguille doit concorder avec le fil.

Lorsque l'on pique, le fil se place dans la longue rainure de l'aiguille. Si cette dernière est trop fine, le fil ne peut entrer dans la rainure, ce qui empêche les points de se former correctement.

Employer des aiguilles n° 70-90.

* Il est recommandé d'utiliser l'aiguille JLx2, tout particulièrement lors de la couture de tissus épais, de parties se chevauchant, etc., avec une surjeteuse.

Fils, fils décoratifs

Les fils à coudre et les fils pour surjeteuse sont disponibles dans de nombreuses qualités et épaisseurs. Préférez toujours des fils à coudre de très bonne qualité pour obtenir du travail parfait. En plus des fils à coudre courants, on trouve également des fils décoratifs pour surjeteuse (sur cônes). Prière d'observer les règles de base suivantes lors de l'emploi de fils spéciaux: choisir des fils dont la présentation sur bobines ou cônes correspond aux surjeteuses. Poser les disques de déviation du fil qui se trouvent dans la pochette d'accessoires lorsqu'on emploie des bobines normales.

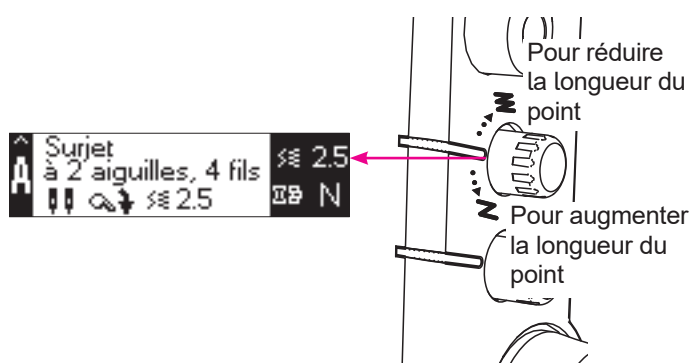
- Choisir des fils dont la présentation sur bobines ou cônes correspond aux surjeteuses.
- Poser les disques de déviation du fil qui se trouvent dans la pochette d'accessoires lorsqu'on emploie des bobines normales.
- Les fils décoratifs seront utilisés uniquement dans les boucleurs. L'enfilage des fils décoratifs doit s'effectuer sans se heurter à une résistance.
- Plus le fil est épais, plus la longueur de point doit être élevée (longueur de point 3-4mm)
- Plus le fil est épais, plus la tension de fil doit être faible!
- L'emploi de fils décoratifs demande de réduire la vitesse de couture. Toujours tirer la chaînette de fil en arrière avant de commencer la couture.

Effectuer toujours un essai avant de travailler avec les fils décoratifs.

Tableau des aiguilles, fils et tissus

Fil	Aiguille	Destination	Application
Fil surjet universel (polyester)	70-90	Fil d'aiguille et fil de boucleur	Convient pour tous les travaux avec le point de surjet et le point enveloppant
Fil invisible en polyester		Convient seulement comme fil de boucleur	Surfilage des bords
Fil texturé		Convient seulement comme fil de boucleur	Coutures souples dans des tissus à mailles, ourlets roulés
Fil à coudre en polyester	80-90	Fil d'aiguille et fil de boucleur	Couture sur tous tissus
Fil à broder, fil à repriser et fil décoratif	70-90	Convient seulement comme fil de boucleur	Surfilage des bords, ourlets roulés

Réglage et utilisation



Longueur de point

La longueur de point peut être réglée progressivement, même pendant la couture.

La longueur de point est réglable progressivement dans la zone comprise entre 0,7 et 4 mm. La plupart des travaux avec la surjeteuse sont cousus avec une longueur de point fixée à 2,5 mm.

Pour le roulotté ou un surjet étroit, il est préférable de régler le bouton entre "0,7 et 1,5".

Pour faire un point invisible qui nécessite l'utilisation d'un pied "spécial", il faut régler le bouton à "4".

Position du couteau



ATTENTION

Couper le circuit de la machine en mettant le commutateur principal sur „O“.

Réglez la largeur de couture en tournant la molette de réglage de la largeur de coupe.

- Relever le couteau.
- Tourner le sélecteur de position du couteau dans la direction souhaitée.
- Abaisser le couteau.

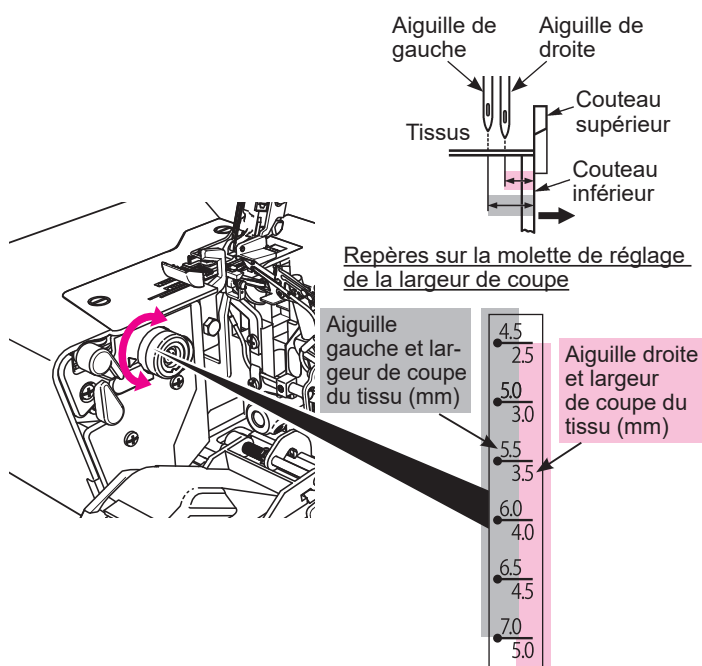
La position du couteau inférieur détermine la largeur de la couture.



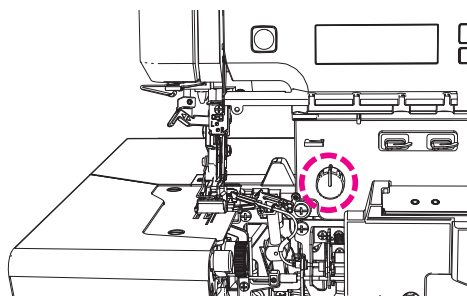
AVERTISSEMENT



Ne pas procéder à la couture avec une épingle piquée dans le tissu. En outre, ne pas essayer de couper autre chose que du tissu et du fil avec les couteaux supérieur/inférieur, sous peine de provoquer la rupture de l'aiguille ou des blessures corporelles.

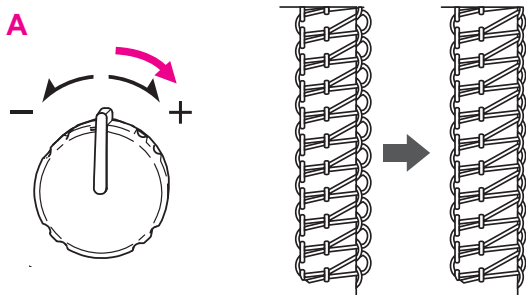


Réglage et utilisation

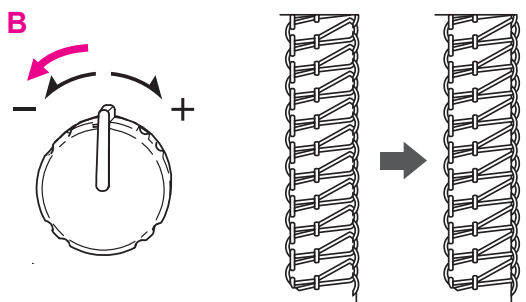


Réglage fin de la largeur du point

Cette machine à coudre contrôle automatiquement la tension du fil. Il faut cependant se rappeler que dans certains cas, la formation des points peut être améliorée en tournant le bouton de réglage fin de la tension du fil du boucleur dans le sens des aiguilles d'une montre ou dans le sens inverse, en fonction du type de tissu ou de fil et de la valeur de réglage de l'entraînement différentiel.




- A** Si la tension du fil du boucleur est trop faible
→ Tournez le bouton dans le sens des aiguilles d'une montre.

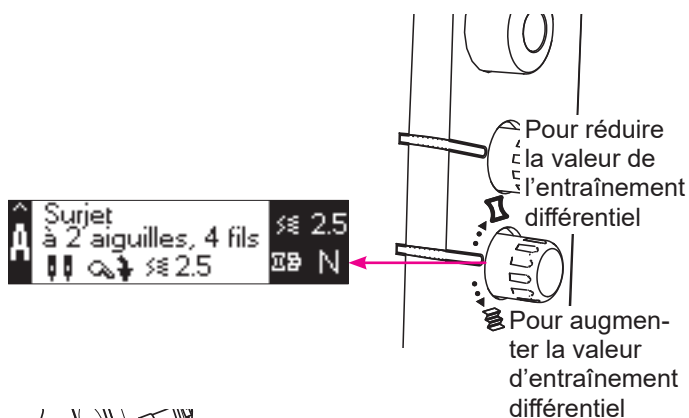


- B** Si la tension du fil du boucleur est trop élevée
→ Tournez le bouton dans le sens inverse des aiguilles d'une montre.

AVERTISSEMENT

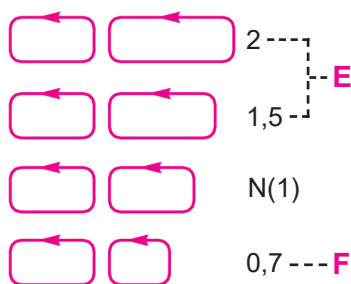
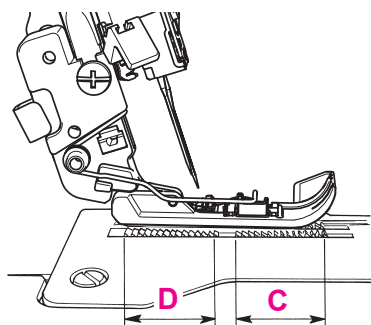
 Ne pas procéder à la couture avec une épingle piquée dans le tissu. En outre, ne pas essayer de couper autre chose que du tissu et du fil avec les couteaux supérieur/ inférieur, sous peine de provoquer la rupture de l'aiguille ou des blessures corporelles.

Réglage et utilisation



Entraînement différentiel

La griffe d'entraînement est composée de deux parties, une partie avant (C) et une partie arrière (D). Lors d'un cycle complet de la griffe d'entraînement, ces deux griffes peuvent avoir des déplacements de longueur différente. L'entraînement différentiel vous permet d'effectuer des coutures absolument plates et sans ondulations dans des tissus à mailles, sans décalage des couches de tissu. Il permet également que les tissus lisses comme le nylon, les tricots ou les matériels résistants et tissés ne rétrécissent pas durant la couture.



Tricot ou lainage sans ondulations

L'avance de la griffe avant doit être plus grande que celle de la griffe arrière. La griffe avant déplace autant de matériel que la griffe arrière est en mesure d'entraîner derrière l'aiguille (E).

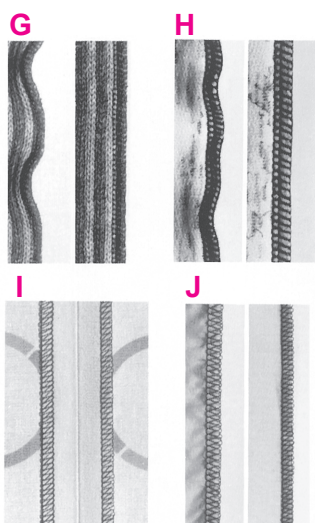
Aucune couture ne rétrécit sur des étoffes tissées ou des tricots en nylon

L'avance de la griffe arrière doit être plus grande que celle de la griffe avant. La griffe avant retient alors autant de matériel que la griffe arrière est en mesure d'entraîner derrière l'aiguille (F).

Réglage de l'entraînement différentiel

L'entraînement différentiel se règle en tournant le sélecteur de l'entraînement différentiel. Prière d'effectuer toujours un essai de couture. L'entraînement différentiel peut se régler progressivement même pendant la couture.

* La tension du fil peut varier en fonction de la valeur de réglage de l'entraînement différentiel. Dans ce cas, réglez la tension du fil avec le bouton de réglage fin de la tension du fil du boucleur. (Voir page 18).

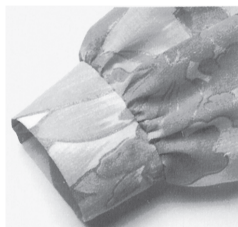


Réglage de l'entraînement différentiel

L'entraînement différentiel se règle en tournant le sélecteur de l'entraînement différentiel. Prière d'effectuer toujours un essai de couture. L'entraînement différentiel peut se régler progressivement même pendant la couture.

	Résultat	Tissus
2	Couture sans ondulations (G)	Tissus de laine épais, tricots faits main et matériels à haute élasticité.
1,5	Couture sans ondulations (H)	Tissus en coton, en soie, en jerseys synthétiques, tissus pour sweatshirt et tissus de laine fine.
N	Entraînement normal (I)	Etoffes tissées
0,7	Aucun fronçage (J)	Tricots fins en nylon, étoffes tissées résistantes, doublures, satin et popeline.

Réglage et utilisation

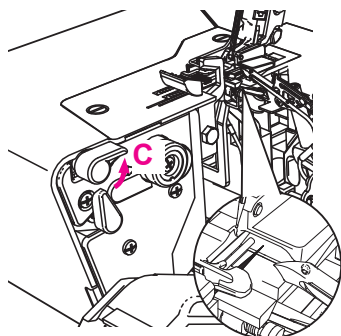


Fronçage

L'entraînement différentiel permet de froncer une fine couche de tissu, par exemple sur les manches, en bordure, sur les passepoils, sur les parmentures de dentelles ou sur les volants.

Réglage:

- Point: point de surjet à 4 fils
 - Entraînement différentiel: 2
 - Longueur de point: 4
 - Largeur de couture: 2-3
- * Si vous voulez obtenir un fronçage supérieur au fronçage normal, vous devez tirer le fil de l'aiguille à la fin de la couture.
- * Après la fin de la couture, remettez la valeur de réglage de l'entraînement différentiel sur "N".



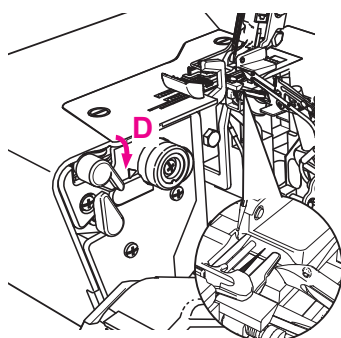
Ourlets roulés

- Tourner le volant et amener les aiguilles à leur position la plus élevée.
- Pour coudre l'ourlet roulé, tournez le bouton de réglage de la largeur de surjet vers le haut et vérifiez que la griffe de surjet se rétracte. **(C)**.
- Pour un surjet standard, tournez le bouton de réglage de la largeur de surjet vers le bas et vérifiez que la griffe de surjet ressort. **(D)**.

Le levier sélecteur pour l'ourlet roulé est intégré dans la plaque à aiguille.

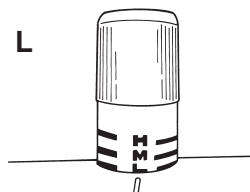
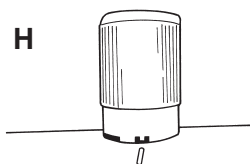
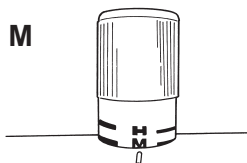
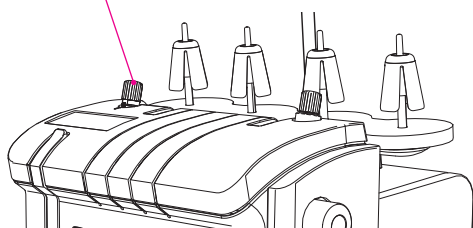
Durant la couture, le bord du tissu s'enroule autour de la fine aiguille en formant ainsi une finition décorative ou une couture fine.

Les ourlets roulés conviennent particulièrement sur des foulards, des cache-nez, sur de la lingerie, des robes de soirée amples ou des rideaux fins ainsi que sur des serviettes.



Réglage et utilisation

Bouton de réglage de la pression du pied



Pression du pied-de-biche

La pression du pied-de-biche garantit un entraînement optimal du tissu. Elle est réglée en usine sur une valeur moyenne.

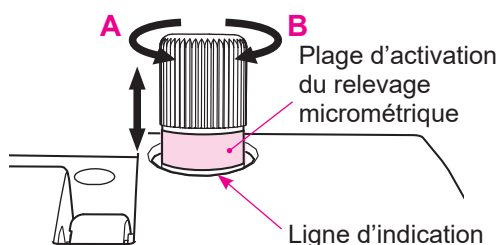
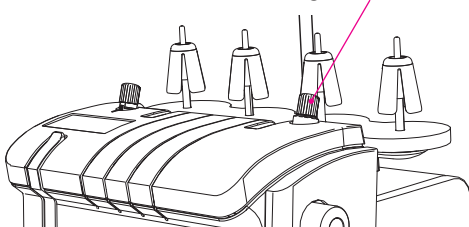
Aligner le repère se trouvant sur le bouton de réglage de pression du pied presseur avec celui se trouvant sur l'extrémité supérieure du capot.

M Pression normale: ce réglage de base convient dans la plupart des cas pour travailler les surjets.

H Pression élevée: ce réglage convient pour coudre les tissus épais et rigides comme le jeans ou le lin grossier, convient également pour poser des élastiques.

L Pression réduite: ce réglage convient pour les étoffes fines telles la voile de soie, la batiste.

Molette de relevage micrométrique



Réglage de la hauteur du pied presseur avec la molette de relevage micrométrique

Lorsque vous cousez des tissus lourds ou glissants, vous pouvez maintenir le tissu en place en réglant la hauteur du pied presseur sans réduire la pression du pied presseur (en maintenant la pression du pied presseur au niveau actuel).

Utilisez le levier de relevage micrométrique pour patchwork afin de coudre des tissus glissants comme le velours ou des matières élastiques de type tricot.

Vous pouvez également régler la hauteur du pied presseur à l'aide du relevage micrométrique, même pendant la couture.

Tournez la molette de relevage micrométrique pour régler le pied presseur à une hauteur telle qu'il appuie correctement sur le tissu.

A Pour baisser le pied presseur

B Pour lever le pied presseur

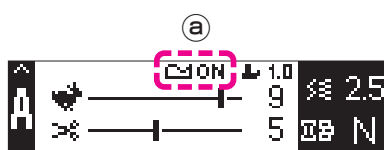
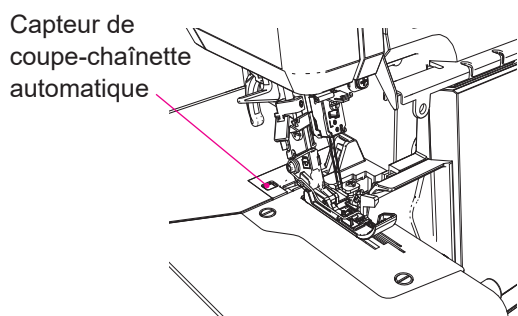
* Si vous n'utilisez pas le relevage micrométrique, tournez la molette à fond dans la direction **A**.

* La ligne indicatrice de la plage d'activation du relevage micrométrique peut également être utilisée comme guide pour la prochaine couture.

* Placez (pour votre couture d'essai) le même tissu que celui que vous devez coudre et réglez la hauteur du pied presseur.

Attention : si vous levez le pied presseur trop haut, il est possible que le tissu ne soit pas alimenté, ce qui provoquerait un enchevêtrement du fil.

Réglage et utilisation



Coupe de la chaînette automatique

Lorsque la fonction de coupe de la chaînette automatique est activée, la fin du tissu est détectée à la fin de la couture et la chaînette est automatiquement coupée à la longueur définie.

* Si le tissu est présent sur le capteur, le coupe-chaînette ne fonctionne pas.

* Notez que la fonction de coupe de la chaînette automatique peut mal fonctionner en cas de couture d'un tissu transparent, court ou étroit.

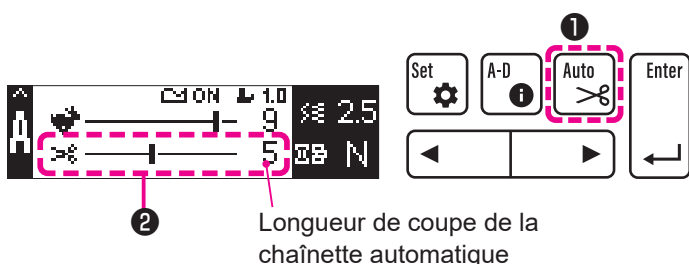
Dans ce cas, placez la fonction de coupe de la chaînette automatique sur OFF et appuyez manuellement sur le bouton de coupe-chaînette.

* Tant que le capteur reconnaît le matériau, (a) s'affiche sur l'écran LCD.

* Lorsque vous utilisez des fils décoratifs ou des fils épais, tirez le tissu vers la droite après la couture et coupez la chaînette en la tirant à proximité de la base du coupe-chaînette, ou coupez avec autre chose que le coupe-chaînette.

■ Réglage de la fonction de coupe de la chaînette automatique

1. Appuyez sur le bouton de changement de coupe de la chaînette automatique ①.
2. Lorsque la fonction de coupe de la chaînette automatique est réglée, ② s'affiche sur l'écran de couture (affichage des paramètres).
3. Si vous voulez désactiver la fonction de coupe de la chaînette automatique, appuyez à nouveau sur le bouton de changement de coupe de la chaînette automatique ①.

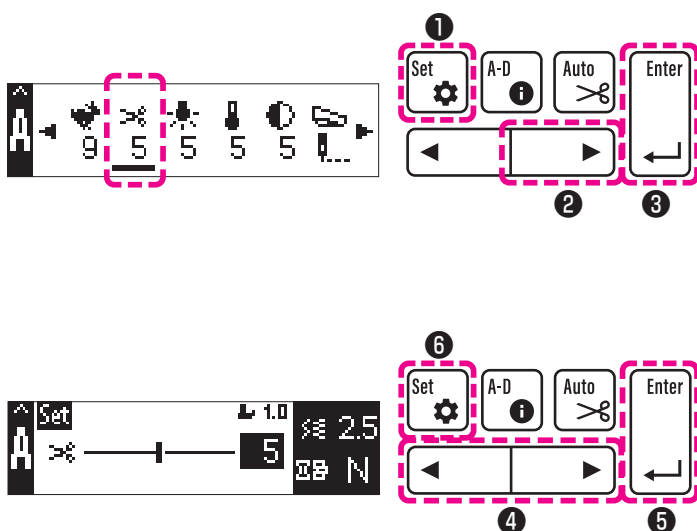


② Longueur de coupe de la chaînette automatique

■ Réglage de la longueur de la chaînette

Il est possible de régler la coupe automatique de la longueur de la chaînette.

1. Appuyez sur le bouton de modification ①.
2. Appuyez sur le bouton droit ② pour sélectionner l'élément (deuxième en partant de la gauche) correspondant à la longueur de coupe de la chaînette automatique.
3. Appuyez sur le bouton Entrée ③.
4. Appuyez sur le bouton droit ou gauche ④ pour déterminer la longueur de coupe de la chaînette.
5. Appuyez sur le bouton Entrée ⑤.
6. Appuyez sur le bouton de modification ⑥.



Préparer l'enfilage / conseils

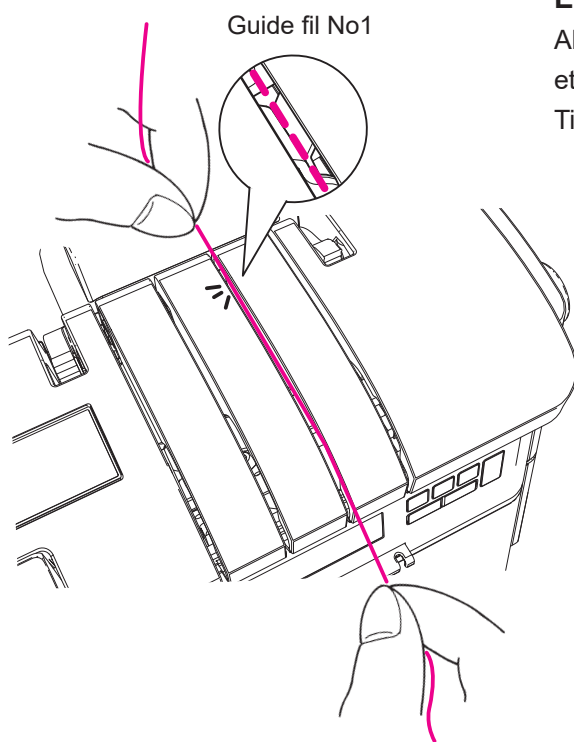
1. Déployer complètement la tige de support escamotable équipé de guide-fil.
2. Soulever le pied presseur (ouverture des disques de tension)
3. Ouvrir le capot du boucleur.
4. Mettre la machine sous tension.

Séquence d'enfilage

Les guides fil peuvent être enfilés dans un ordre quelconque.

Les sections d'enfilage sont codées par des couleurs correspondantes.

- Fil du boucleur inférieur (marque rouge)
- ▲ Fil du boucleur supérieur (marque bleue)
- Fil de l'aiguille droite (marque verte)
- ◆ Fil de l'aiguille gauche (marque beige)









Enfiler le guide fil No1

Abaissez le fil que vous avez placé sur la tige de support rétractable et passez-le dans le guide-fil n° 1 jusqu'à entendre un clic.

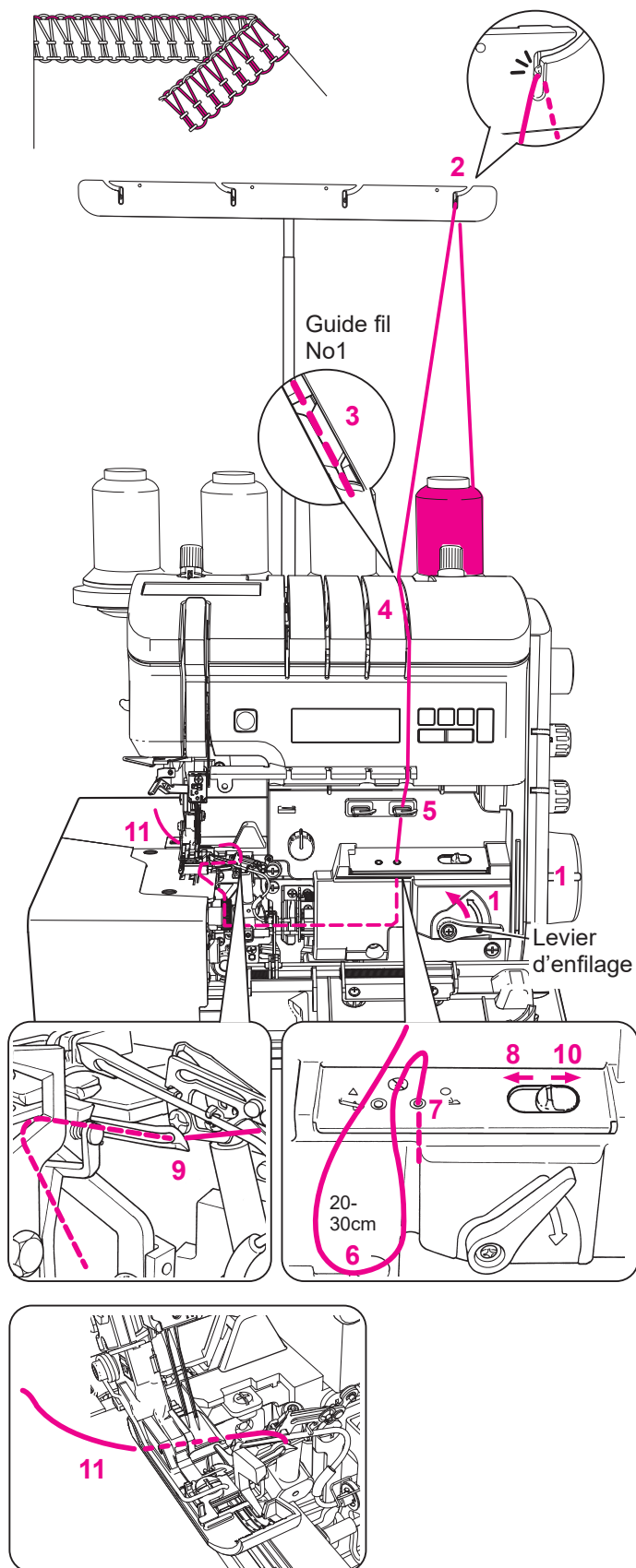
Tirez le fil vers vous le long de la rainure.

Récapitulatif des points

Point	Largeur de point	Bouton de changement de programme	Réglage de base
Surjet à 4 fils avec point de sécurité intégré 	5-7,5 mm Aiguille de droite et de gauche	A	Longueur de point: 2,5 Position du couteau: 2,5-5,0 (Aiguille de gauche 4,5-7,0) Différentiel: N-2 (tissus à mailles) 0,7-N (étoffe tissée)
Surjet à 3 fils  Aiguille de gauche Aiguille de droite	5-7,5 mm Aiguille de gauche ----- 3-5,5 mm Aiguille de droite	A ----- B	Longueur de point: 2,5 Position du couteau: 2,5-5,0 (Aiguille de gauche 4,5-7,0) Différentiel: N-2 (tissus à mailles) 0,7-N (étoffe tissée)
Couture roulée à 3 fils 	2 mm Aiguille de droite	C	Longueur de point: 0,7-1,5 Position du couteau: 2,5-3,5 (Aiguille de gauche 4,5-5,5) Différentiel: N-0,7 Levier sélecteur: ourlet roulé
Ourlet roulé à 3 fils 	2 mm Aiguille de droite	D	Longueur de point: 0,7-1,5 Position du couteau: 2,5-3,5 (Aiguille de gauche 4,5-5,5) Différentiel: N-0,7 Levier sélecteur: ourlet roulé
Couture plate à 2 fils  Aiguille de gauche Aiguille de droite	5-7,5 mm Aiguille de gauche ----- 3-5,5 mm Aiguille de droite	A *1 ----- B *1	Longueur de point: 2-3 Position du couteau: 2,5-5,0 (Aiguille de gauche 4,5-7,0) Différentiel: N Recouvrement du boucleur supérieur
Surjet à 2 fils  Aiguille de gauche Aiguille de droite	5-7,5 mm Aiguille de gauche ----- 3-5,5 mm Aiguille de droite	A *1 ----- B *1	Longueur de point: 2,5 Position du couteau: 2,5-5,0 (Aiguille de gauche 4,5-7,0) Différentiel: N Recouvrement du boucleur supérieur

*1 Si vous souhaitez coudre avec deux fils, utilisez l'attachement pour 2/3 fils et refaites l'enfilage des aiguilles.
(Voir page 35)

Enfilage du point de surjet à 4/3 fils



Fil de boucleur inférieur, repères rouges



Couper le circuit de la machine en mettant le commutateur principal sur „O“.

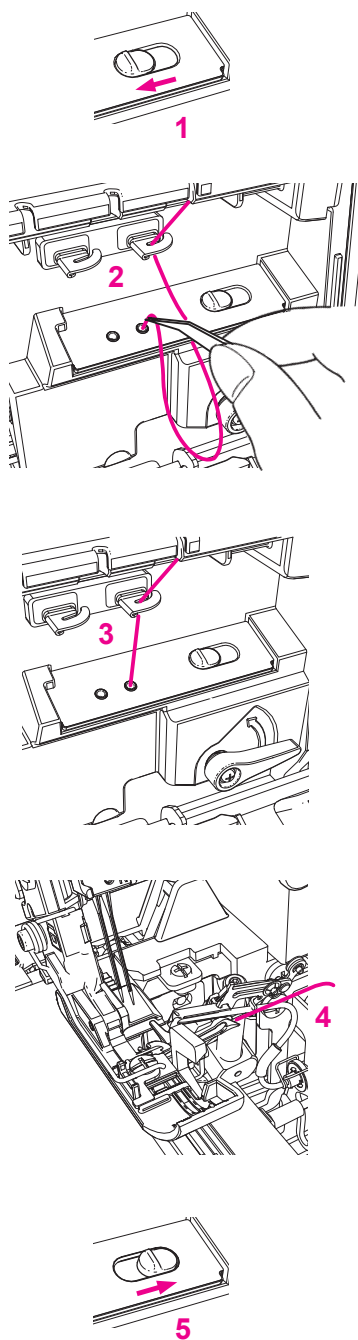
Enfiler la bobine sur la broche conformément aux instructions.

- (1) Soulever le levier de l'enfilage dans le sens des flèches. Tournez le volant vers vous jusqu'à ce qu'il s'enclenche.
(Le tube d'enfilage est connecté.)
- (2) Prendre du fil à partir de la bobine et le faire passer de l'arrière vers l'avant dans le guide.
À ce stade, insérez fermement le fil dans la rainure.
- (3) Enfiler le premier guide de la machine.
- (4) Tirer le fil avec les deux mains et enfiler le guide-fil.
- (5) Enfiler le guide fil.
- (6) Tirer le fil de 20 à 30cm et laisser le à l'intérieur du capot du boucleur.
- (7) Passez l'extrémité supérieure du fil à travers le trou d'enfiletée de 1 à 2 cm.
- (8) Mettez le commutateur de contrôle d'air sur ON.
(Actionnez le commutateur d'air vers la gauche.)
- (9) Assurez-vous que le fil sort bien de l'extrémité du boucleur inférieur.
- (10) Mettez le commutateur de contrôle d'air sur OFF.
(Actionnez le commutateur d'air vers la droite.)
- (11) Amener le fil tiré vers le bas au-dessus du boucleur supérieur afin de l'amener sous le pied presseur et le faire sortir par l'arrière du pied.

Indication:

Si le fil du boucleur supérieur ou inférieur s'est cassé pendant la couture refait aussi l'enfilage. Il faut refaire l'enfilage des 2 boucleurs même si un des fil ne s'est pas cassé. Tout d'abord enfiler les boucleurs et ensuite les aiguilles.

Enfilage du point de surjet à 4/3 fils



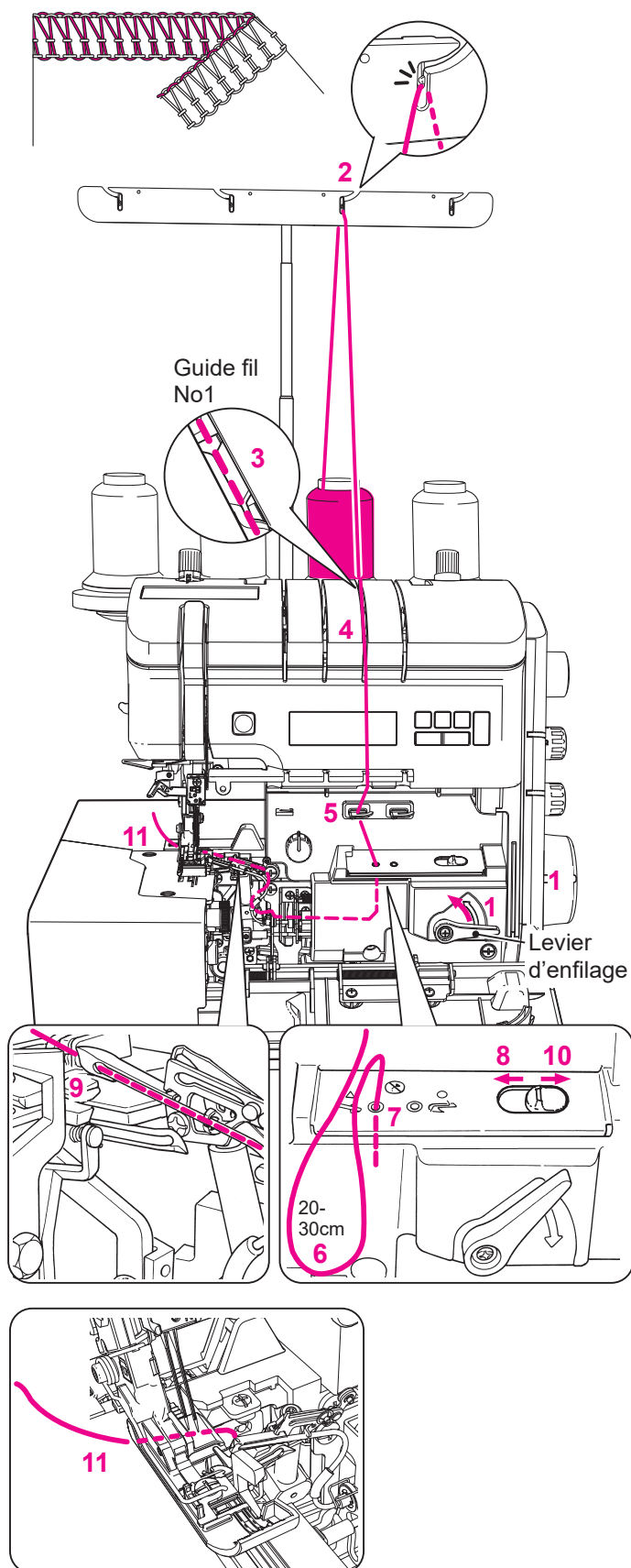
■ Autre méthode pour enfiler les boucleurs

Il est également possible d'enfiler automatiquement les boucleurs même si vous transposez les étapes (7) et (8) susmentionnées.

Laissez le commutateur de contrôle d'air sur ON et approchez l'extrémité du fil du trou d'enfilage. Ensuite, le fil sera aspiré dans le trou d'enfilage et les boucleurs seront enfilés.

1. Positionnez le commutateur de contrôle d'air sur ON.
2. Approchez l'extrémité du fil du trou d'enfilage.
 - * À ce stade, pincez l'extrémité du fil court.
3. Le fil est aspiré dans le trou d'enfilage.
4. Les boucleurs sont enfilés.
5. Mettez le commutateur de contrôle d'air sur OFF.

Enfilage du point de surjet à 4/3 fils



Fil de boucleur supérieur, marque bleue



Couper le circuit de la machine en mettant le commutateur principal sur „O“.

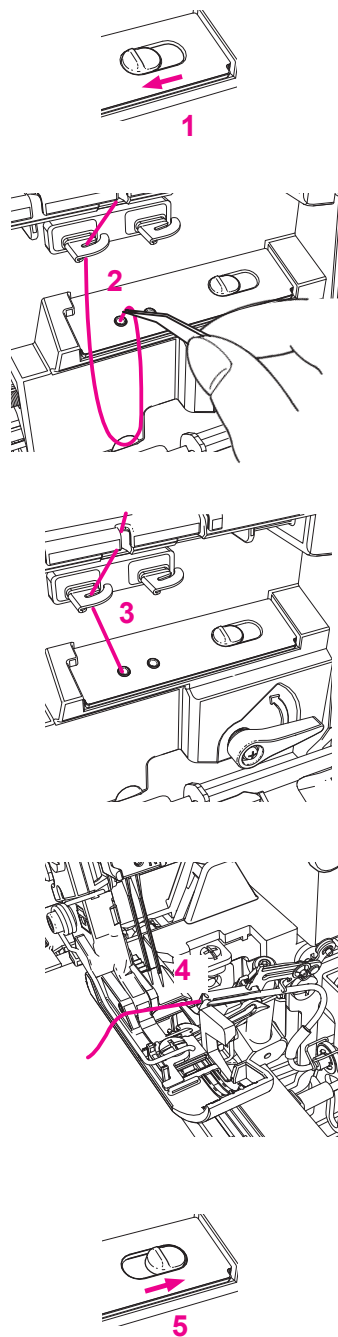
Enficher la bobine sur la broche conformément aux instructions.

- (1) Soulever le levier de l'enfilage dans le sens des flèches. Tournez le volant vers vous jusqu'à ce qu'il s'enclenche.
(Le tube d'enfilage est connecté.)
- (2) Prendre du fil à partir de la bobine et le faire passer par l'arrière dans le guide.
À ce stade, insérez fermement le fil dans la rainure.
- (3) Enfiler le premier guide de la machine.
- (4) Tirer le fil avec les deux mains et enfiler le guide-fil.
- (5) Enfiler le guide fil.
- (6) Tirer le fil de 20 à 30cm et laisser le à l'intérieur du capot du boucleur.
- (7) Passez l'extrémité supérieure du fil à travers le trou d'enfiletae de 1 à 2 cm.
- (8) Mettez le commutateur de contrôle d'air sur ON.
(Actionnez le commutateur d'air vers la gauche.)
- (9) Assurez-vous que le fil sort bien de l'extrémité du boucleur supérieur.
- (10) Mettez le commutateur de contrôle d'air sur OFF.
(Actionnez le commutateur d'air vers la droite.)
- (11) Tirer le fil d'environ 10 cm afin de l'amener sous le pied presseur et le faire sortir par l'arrière.

Attention:

Après avoir enfilé le boucleur supérieur et inférieur, assurez-vous de remettre le levier de changement d'enfilage à sa position de départ. Si vous ne le faites pas, le couvercle du boucleur ne pourra pas être fermé.

Enfilage du point de surjet à 4/3 fils



■ Autre méthode pour enfiler les boucleurs

Il est également possible d'enfiler automatiquement les boucleurs même si vous transposez les étapes (7) et (8) susmentionnées.

Laissez le commutateur de contrôle d'air sur ON et approchez l'extrémité du fil du trou d'enfilage. Ensuite, le fil sera aspiré dans le trou d'enfilage et les boucleurs seront enfilés.

1. Positionnez le commutateur de contrôle d'air sur ON.
2. Approchez l'extrémité du fil du trou d'enfilage.
 - * À ce stade, pincez l'extrémité du fil court.
3. Le fil est aspiré dans le trou d'enfilage.
4. Les boucleurs sont enfilés.
5. Mettez le commutateur de contrôle d'air sur OFF.

Enfilage du point de surjet à 4/3 fils

Aiguille de droite, repères verts



Couper le circuit de la machine en mettant le commutateur principal sur „O“.

Enfiler la bobine sur la broche conformément aux instructions.

(1) Prendre du fil à partir de la bobine et le faire passer de l'arrière vers l'avant dans le guide.

À ce stade, insérez fermement le fil dans la rainure.

(2) Enfiler le premier guide de la machine.

(3) Faire passer le fil le long de la rainure.

(4,5) Glisser le fil sous la tige de guidage et l'introduire dans le tendeur de fil.

(6) Faire passer le fil dans le guide.

(7) Faire passer le fil dans le guide du porte-aiguille.

(8) Tournez le volant vers vous pour aligner la marque "□" avec la marque "■" sur la face latérale du capot latéral. Puis, abaissez le pied presseur.

(9) Placez le levier de changement aiguille droite/gauche du côté de l'aiguille droite.

Vérifier que le levier de changement d'aiguille droite/gauche est placé tout au bout.

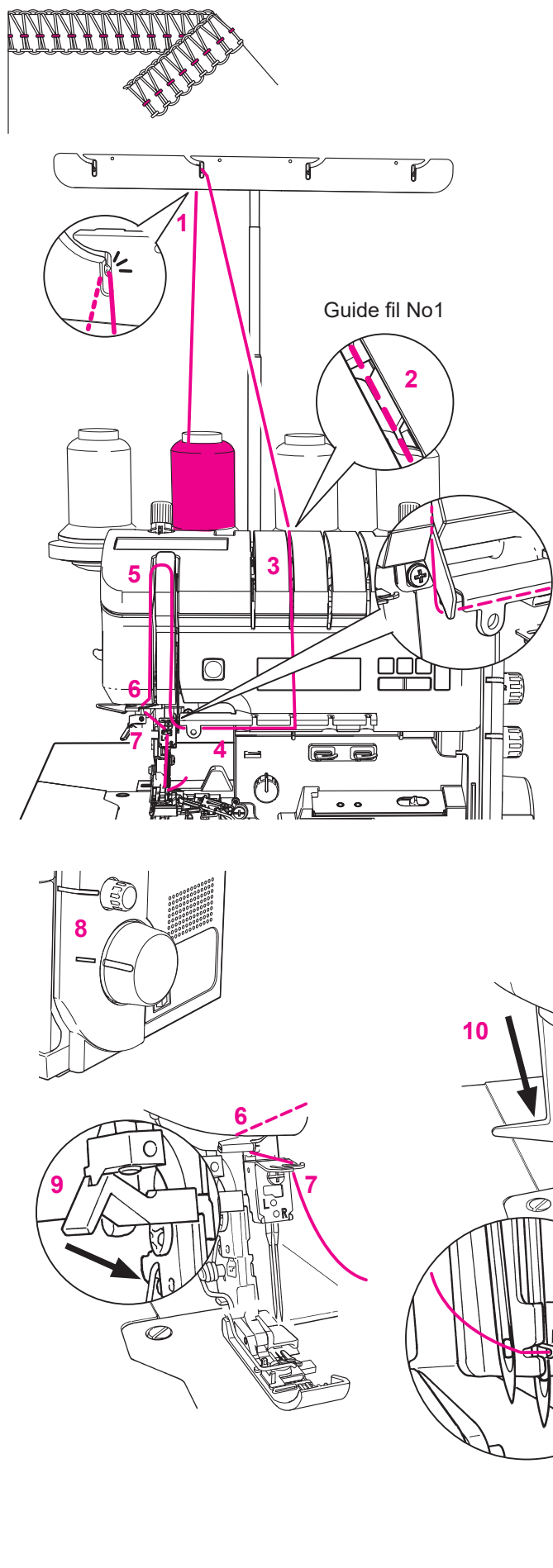
(10) Abaisser le plus possible le levier d'enfilage.

(11) Poussez le fil dans la section A avec les 2 mains.

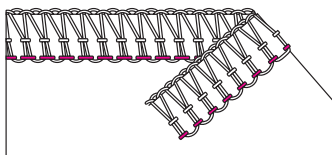
(12) Le fil passe automatiquement à travers le chas de l'aiguille en appuyant vers le haut sur le levier d'enfilage.

(13) Soulevez le pied presseur.

(14) Tirer le fil d'environ 10 cm afin de l'amener sous le pied presseur et le faire sortir par l'arrière.



Enfilage du point de surjet à 4/3 fils



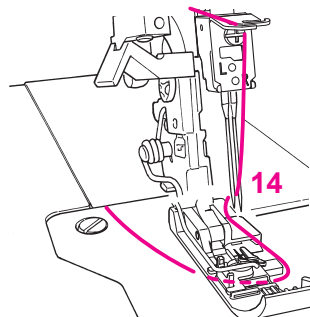
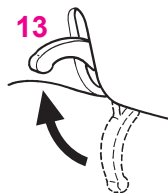
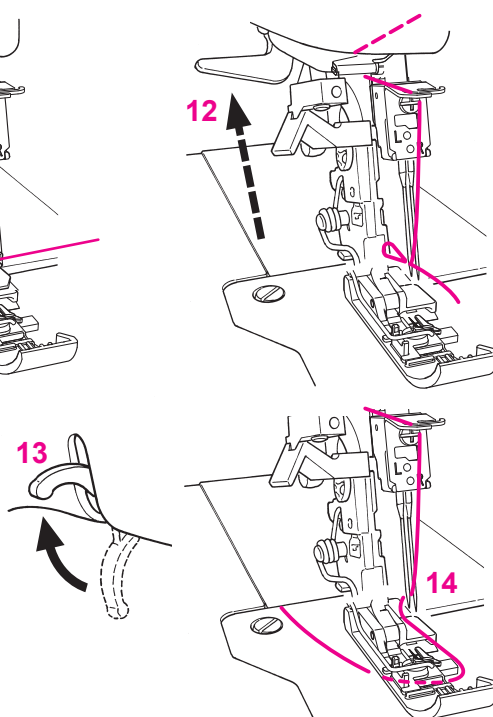
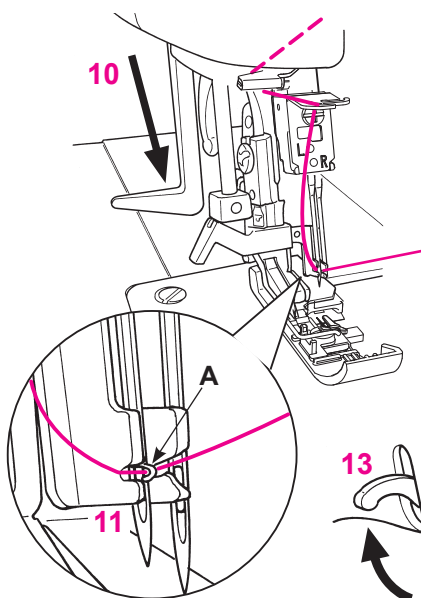
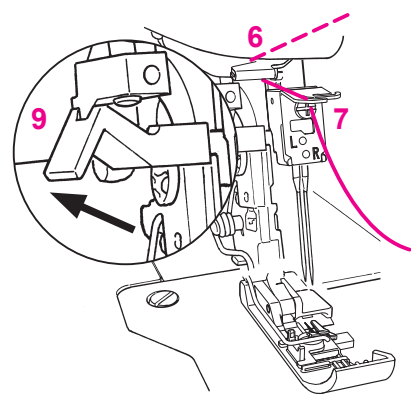
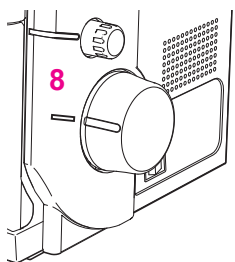
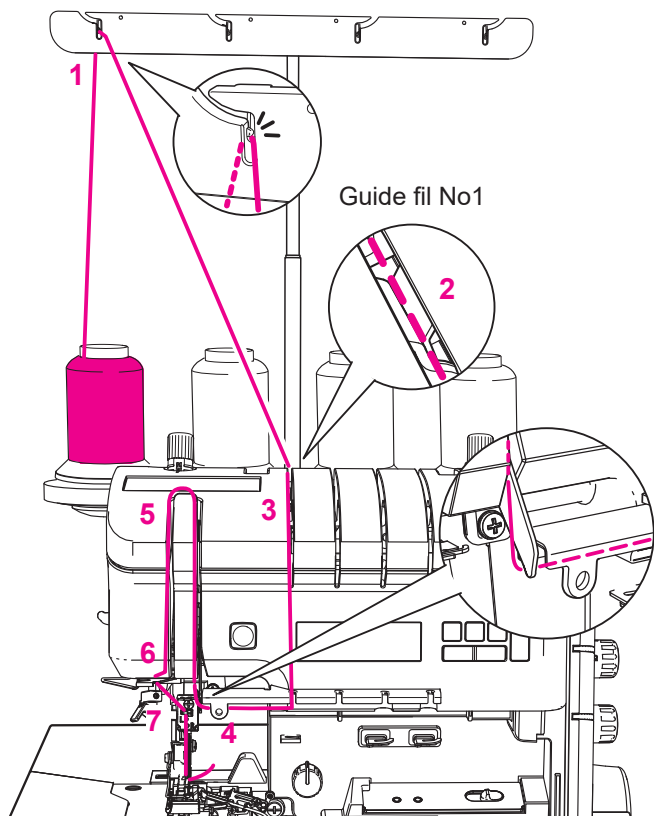
Aiguille de gauche, repères beige



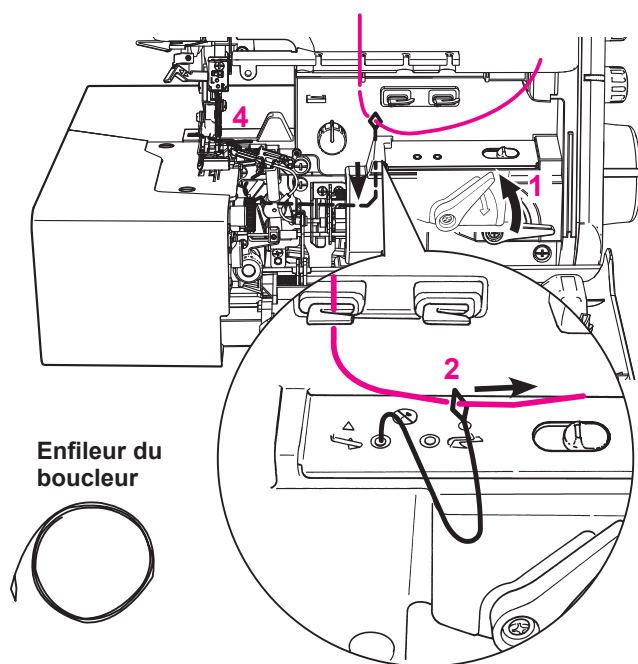
Couper le circuit de la machine en mettant le commutateur principal sur „O“.

Enfiler la bobine sur la broche conformément aux instructions.

- (1) Prendre du fil à partir de la bobine et le faire passer de l'arrière vers l'avant dans le guide.
À ce stade, insérez fermement le fil dans la rainure.
- (2) Enfiler le premier guide de la machine.
- (3) Faire passer le fil le long de la rainure.
- (4,5) Glisser le fil sous la tige de guidage et l'introduire dans le tendeur de fil.
- (6) Faire passer le fil dans le guide.
- (7) Faire passer le fil dans le guide du porte-aiguille.
- (8) Tournez le volant vers vous pour aligner la marque "□" avec la marque "■" sur la face latérale du capot latéral. Puis, abaissez le pied presseur.
- (9) Placez le levier de changement aiguille droite/gauche du côté de l'aiguille gauche.
Vérifier que le levier de changement d'aiguille droite/gauche est placé tout au bout.
- (10) Abaisser le plus possible le levier d'enfilage.
- (11) Poussez le fil dans la section A avec les 2 mains.
- (12) Le fil passe automatiquement à travers le chas de l'aiguille en appuyant vers le haut sur le levier d'enfilage.
- (13) Soulevez le pied presseur.
- (14) Tirer le fil d'environ 10 cm afin de l'amener sous le pied presseur et le faire sortir par l'arrière.



Enfilage du point de surjet à 4/3 fils



Comment utiliser l'enfileur de boucleur

Pour enfiler un fil laineux ou tout autre fil qui ne peut pas passer facilement, il est recommandé d'utiliser "l'enfileur de boucleur" fourni dans le sac d'accessoires ou bien de nouer une longueur de 30cm d'un fil efilé à l'extrémité du fil laineux puis passer le fil dans le trou d'enfilage et pousser jusqu'à ce que le fil laineux passe aussi dans le trou. (le système d'enfilage peut aussi être utilisé comme moyen de nettoyage des tuyaux)

1. Soulever le levier d'enfilage dans le sens d'enfilage de la flèche. Tournez le volant vers vous jusqu'à ce que vous entendiez un déclic.
2. Faites passer le fil à travers l'anneau crochet d'enfilage.
3. Passez à la main l'enfileur du boucleur à travers le trou du boucleur.
4. Lorsque l'outil d'enfilage du boucleur sort de l'extrémité du boucleur, tirez dessus jusqu'à ce que le fil sorte.

Précaution:

Ne positionnez pas le commutateur de contrôle d'air sur ON.

Note:

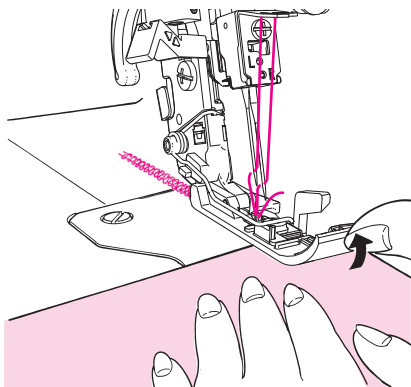
Si le fil du boucleur inférieur ou supérieur se casse pendant la couture, il faut refaire l'enfilage. Désenfiler le fil cassé et aussi celui qui n'est pas cassé. Ensuite, réglez le levier d'enfilage pour effectuer l'enfilage du boucleur supérieur et inférieur.

Attention:

Après avoir terminé d'enfiler le boucleur inférieur et supérieur, ramenez le levier d'enfilage dans sa position d'origine. Si ce n'est pas, le couvercle du boucleur ne pourra pas être fermé.



Essai de couture




Essai de couture

Cousez ensemble deux morceaux de tissu. Ensuite, vérifiez si la couture finie est correcte ou non.


1. Fermer le capot du boucleur. Allumer la machine.
2. Contrôler que le couteau supérieur est en position haute.
3. Abaisser le pied presseur.
4. Pendant que vous tenez le fil à l'arrière du pied presseur, appuyer sur la pédale afin de réaliser une chaînette de 6 à 7cm.
5. En soulevant la partie avant du pied presseur avec les doigts, mettez le tissu sous le pied presseur jusqu'à ce que le côté du couteau supérieur soit atteint.
6. Commencer à coudre.
7. Une fois la couture terminée, coupez la chaînette.

Comment couper la chaînette

① Appuyez sur le bouton de coupe de la chaînette

Une fois la couture terminée, appuyez sur  pour couper la chaînette.

② Activez préalablement la fonction de coupe de la chaînette automatique

Appuyez sur .

Reportez-vous à la page 22 pour plus de détails.

③ Coupez la chaînette avec le coupe-chaînette

1. Après l'achèvement de la couture, réaliser une chaînette de 5 à 6cm.

2. Couper la chaînette à l'aide du couteau prévu à cet effet.

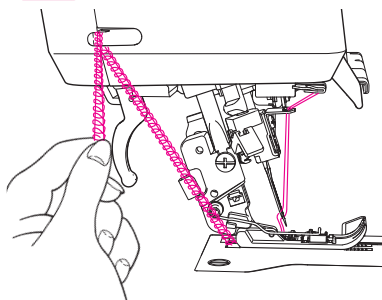
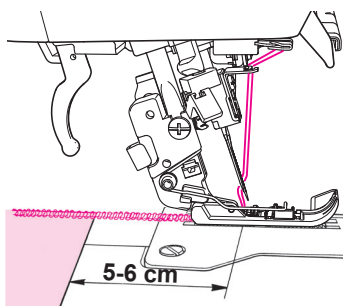
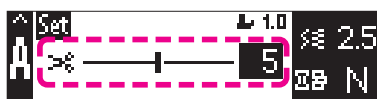
④ Coupez la chaînette avec le couteau supérieur

Tirez la chaînette et ramenez-la vers vous. Ensuite, coupez-la avec le couteau supérieur.

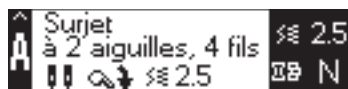
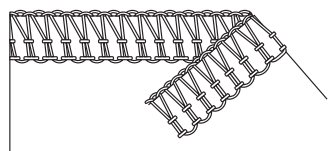
⑤ Appuyez sur l'interrupteur au pied

Lorsque vous avez fini de coudre, appuyez sur l'interrupteur au pied pour couper la chaînette.

* Pour couper la chaînette en appuyant sur l'interrupteur au pied, il faut régler en conséquence la fonction de l'interrupteur au pied à l'avance. (Voir page 9)



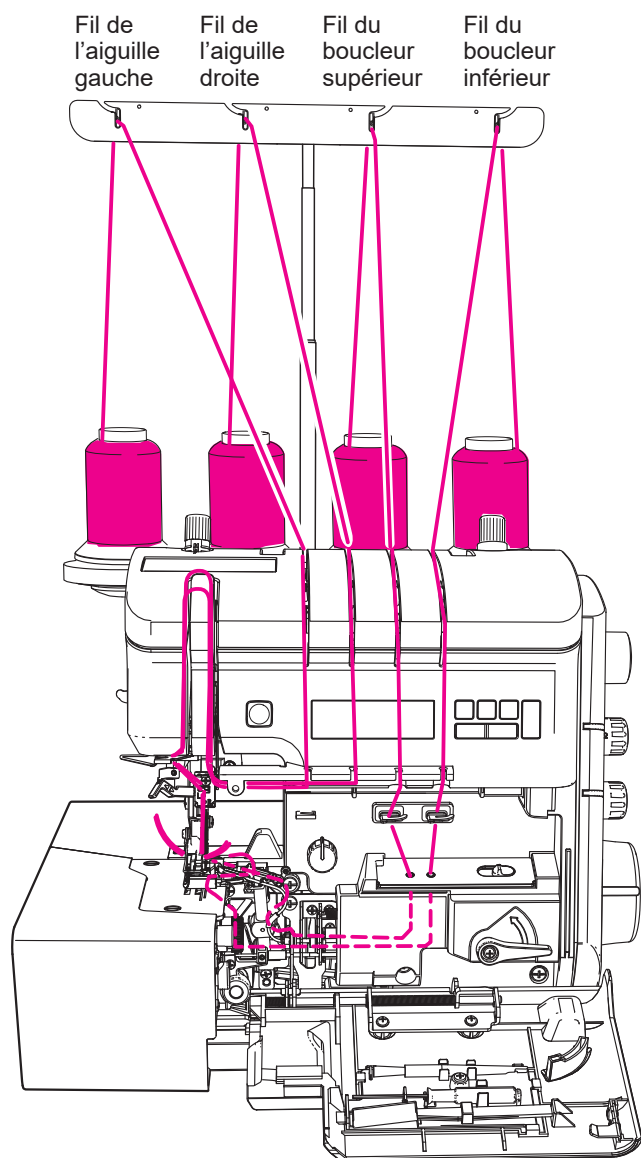
Couture pratique avec surjet



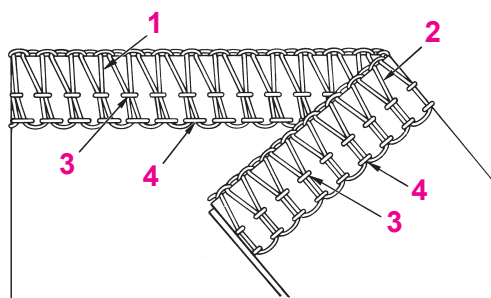
Surjet 2 aiguilles, 4 fils

ATTENTION

Veillez à désactiver l'interrupteur d'alimentation avant de retirer ou de fixer l'aiguille.



1. Fixez les deux aiguilles. (État standard de la machine à coudre.)
2. Réglez le bouton de changement de programme sur "A".
3. Enfilez les boucleurs supérieur et inférieur et les aiguilles droite et gauche. (Voir pages 25 à 30.)
4. Réglez la molette de réglage de longueur de point en fonction du type de tissu à coudre. (Standard 2,5) (Voir page 17)
5. Réglez la molette de réglage de la largeur de coupe en fonction du type de tissu à coudre. (Voir page 17)



Coutures correctement finies

1. Fil de boucleur supérieur (bleue).
2. Fil de boucleur inférieur (rouge).
3. Fil d'aiguille de droite (vert).
4. Fil d'aiguille de gauche (beige).

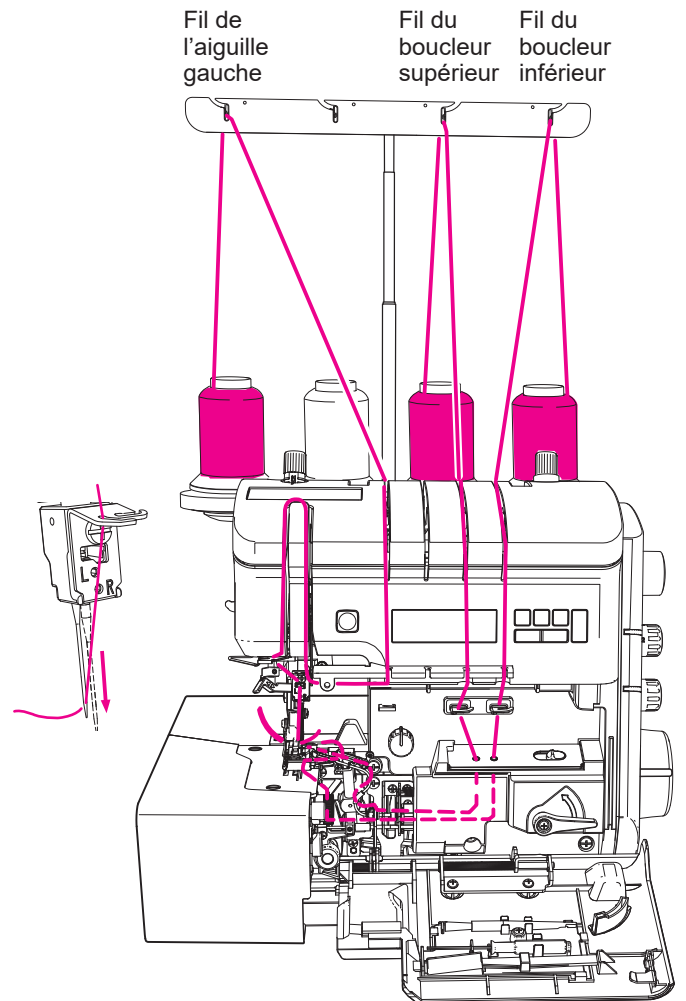
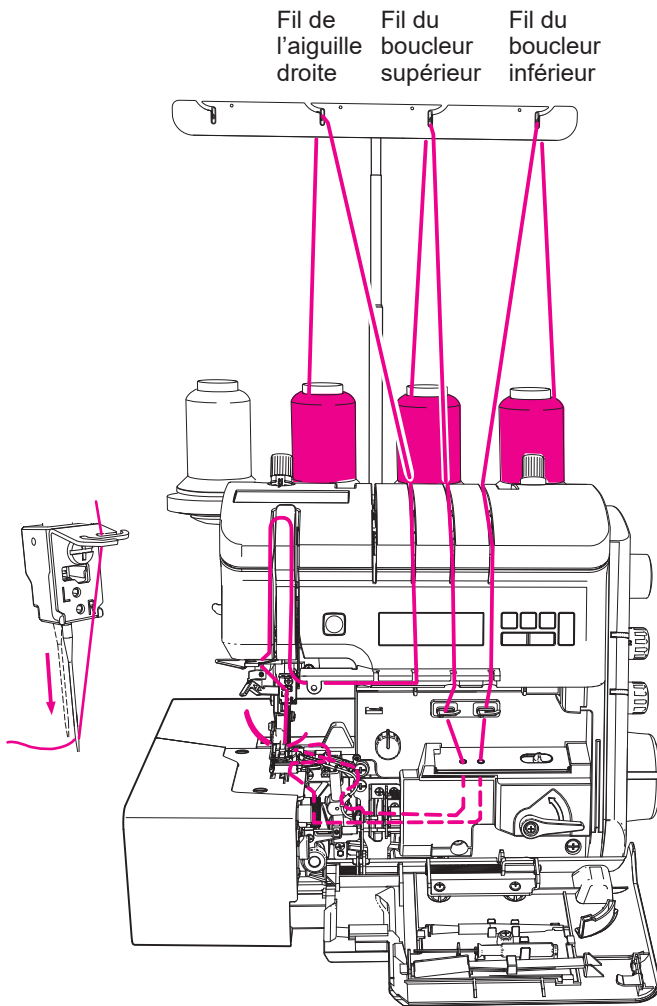
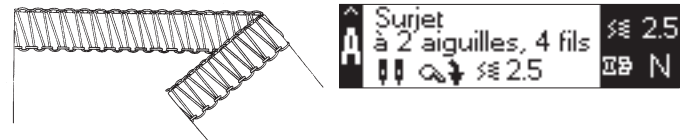
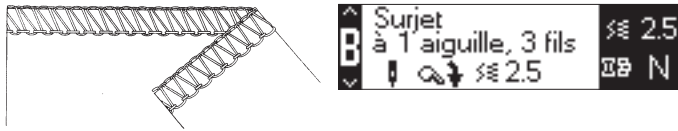
La tension de fil est réglée correctement si les deux fils des boucleurs se croisent exactement au bord du tissu. Les fils d'aiguilles se distinguent en formant des lignes de points droits et assurent une couture durable et quand même extensible.

Couture pratique avec surjet

Surjet 1 aiguille 3 fils

ATTENTION

Veillez à désactiver l'interrupteur d'alimentation avant de retirer ou de fixer l'aiguille.



Pour effectuer un surjet avec l'aiguille droite (3 à 5,5 mm de largeur):

1. Oter l'aiguille de gauche. (Voir page 15)
2. Réglez le bouton de changement de programme sur "B".
3. Faites l'enfilage du boucleur supérieur, du boucleur inférieur et de l'aiguille de droite. (Voir pages 25 à 29)

Pour effectuer un surjet avec l'aiguille gauche (5 à 7,5 mm de largeur):

1. Oter l'aiguille de droite. (Voir page 15)
2. Réglez le bouton de changement de programme sur "A".
3. Faites l'enfilage du boucleur supérieur, du boucleur inférieur et de l'aiguille de gauche. (Voir pages 25 à 28 et 30)

Couture pratique avec surjet



Surjet 1 aiguille 2 fils

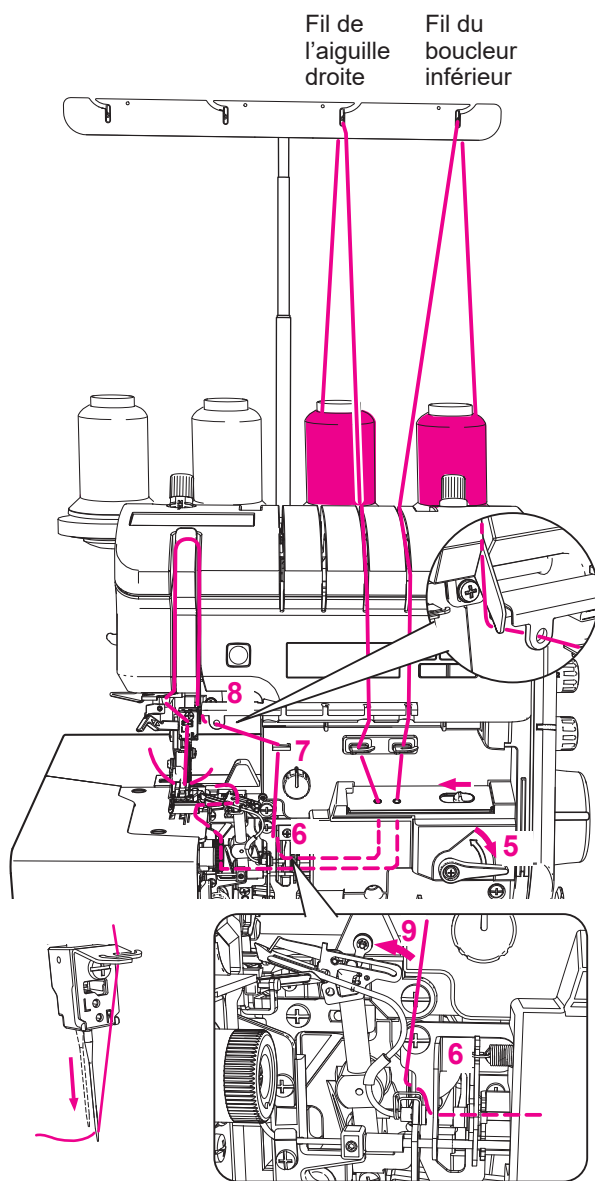
ATTENTION

Veillez à désactiver l'interrupteur d'alimentation avant de retirer ou de fixer l'aiguille.

Il est possible d'effectuer du surjetage, de la couture décorative (point de couture déplié) et roulottage à 2 fils avec deux fils en enfilant l'aiguille de droite et le boucleur inférieur. Utilisez l'attachement pour 2/3 fils.

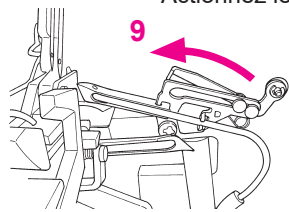
1. Oter l'aiguille de gauche. (Voir page 15)
2. Réglez le bouton de changement de programme sur "B".
3. Enfilez le boucleur inférieur. Le parcours d'enfilage du boucleur inférieur est le même que celui de la couture standard (2 aiguilles 4 fils). (Voir page 25)
4. Le parcours d'enfilage du fil d'aiguille est le même que celui du fil du boucleur supérieur jusqu'au point de mi-course. Ensuite, il change en parcours d'enfilage du fil d'aiguille. (Voir page 27)
5. Lorsque le fil sort de l'extrémité supérieure du boucleur supérieur, abaissez le levier de l'enfilage. (Le tube d'enfilage est déconnecté.)
6. Retirez le fil de la section de jonction du tube d'enfilage et faites-le passer dans le trou situé juste au-dessus de la section de jonction.
7. Enfilez le guide-fil releveur.
8. Passez le fil dans le trou de ce côté et passez-le le long du parcours d'enfilage du fil de la même manière que le fil d'aiguille droit. (Voir page 29)
9. Poussez sur la gauche l'attachement pour 2/3 fils monté sur le boucleur supérieur. Vérifiez que la projection de l'attachement pour 2/3 fils est adaptée au trou situé sur l'extrémité supérieure du boucleur.

Avec la procédure ci-dessus, le fil du boucleur supérieur n'est pas alimenté, mais le fil du boucleur inférieur est alimenté pour produire des points à 2 fils.

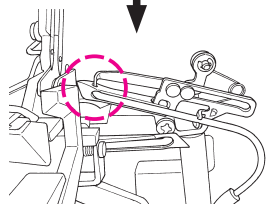


Attachement pour 2/3 fils

Actionnez le levier vers la gauche.

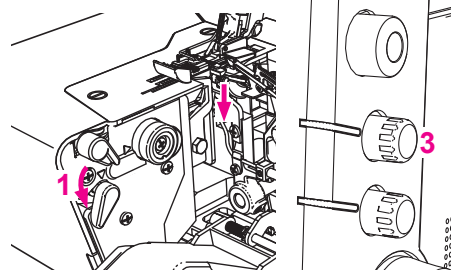


Vérifiez que la projection est bien insérée dans le trou.

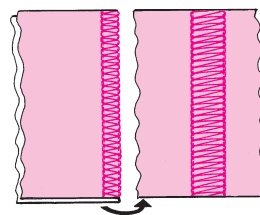


Couture décorative (couture ouverte)

1. Désactiver le couteau supérieur.
2. Utiliser un fil décoratif pour le boucleur inférieur. (Le fil de laine est préconisé pour le fil de l'aiguille. Toutefois du fil de coton peut aussi être utilisé.)
3. Réglez la molette de réglage de la longueur de point sur "2 à 2.5".



4. Plier la matière en 2. Effectuer la couture avec la largeur de surjet choisi.
5. A la fin de la projection de la couture, déplier la matière.



* Il est recommandé de coudre le tissu en laissant un excédent de fil sur le bord du tissu pour obtenir des coutures bien finies.

Couture pratique avec surjet

Ourlet roulé et surjet étroit

 ATTENTION	Veillez à désactiver l'interrupteur d'alimentation avant de retirer ou de fixer l'aiguille.
--	--

La machine à coudre intègre un dispositif afin de réaliser le roulottage et des surjets étroits. La machine à coudre est en mesure de surjeter joliment les bords de matières tels que les revers de manches en les pliant automatiquement vers l'intérieur.

● Roulottage

L'ourlet roulotté est le système de point qui enroule le bord de la matière avec le fil du boucleur supérieur.

Préparation de l'ourlet (ourlet roulé)

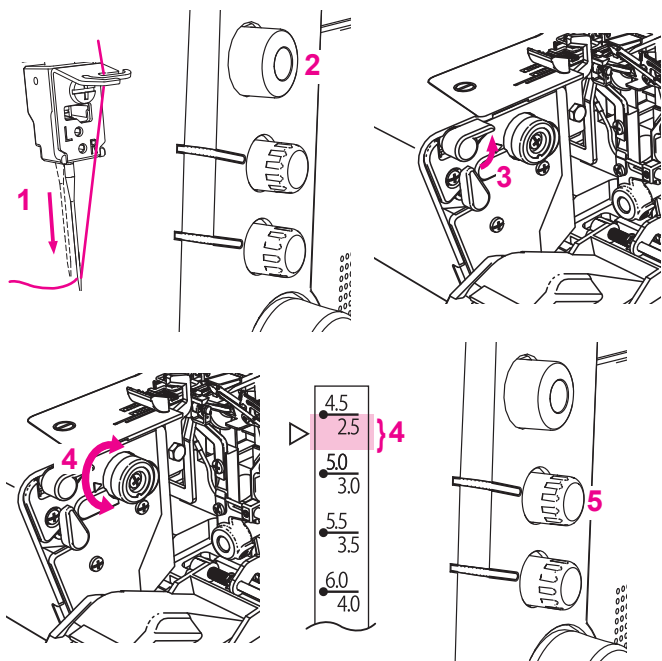
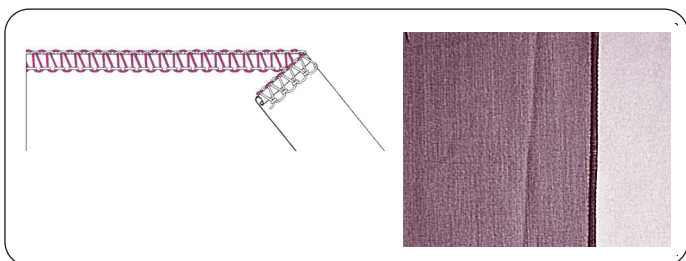
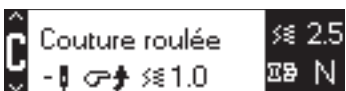
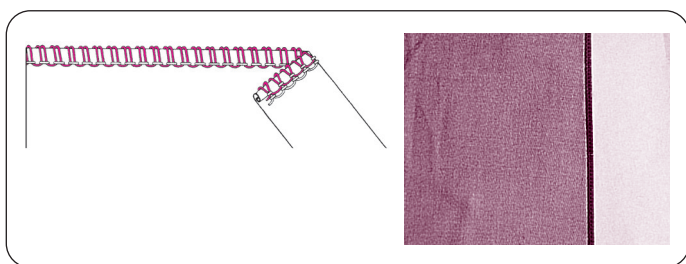
1. Oter l'aiguille de gauche. (Voir page 15)
2. Réglez le bouton de changement de programme sur "D".

● Surjet étroit

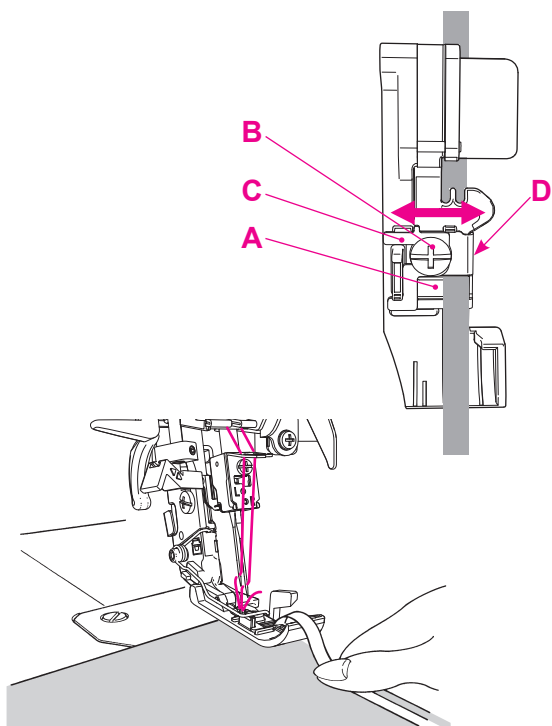
Le surjet étroit est simplement un surjet plus étroit que le standard.

Préparation pour le surjet étroit

1. Oter l'aiguille de gauche. (Voir page 15)
2. Réglez le bouton de changement de programme sur "C".
3. Installez l'aiguille de droite.
4. Tirez vers vous le sélecteur de largeur de surjet pour abaisser la griffe de surjet.
5. Réglez la molette de réglage de la largeur de coupe sur le repère "2,5 à 3,5".
6. Lorsque vous utilisez fil de nylon laineux, réglez la molette de réglage de longueur de point (longueur de point) à "0,7 à 1,5".



Couture pratique avec surjet

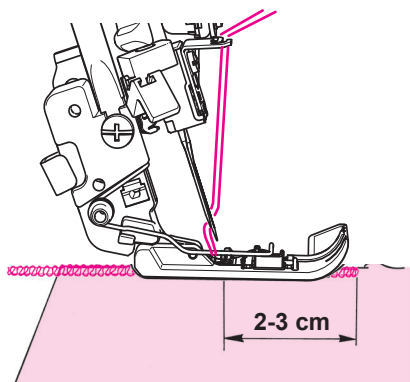


Pose de ruban

Le pied standard pour le point surjet est équipé d'un guide pour ruban.

C'est idéal pour renforcer les coutures transversales dans du tissu à mailles ou pour poser des rubans élastiques sur les bords coupés.

1. Tournez le volant vers vous pour amener l'aiguille à son point le plus haut.
2. Levez le pied presseur. Passez le ruban à travers la rainure de guidage du ruban **A** et tirez dessus jusqu'à ce qu'il atteigne le côté arrière du pied presseur. Ensuite, abaissez le pied presseur.
3. Desserrez la vis de réglage du guide **B** avec le tournevis en T fourni en tant qu'accessoire.
Ajustez le guide-ruban **C** à la largeur du ruban (**D**) et serrez la vis de réglage du guide.
4. Tournez le volant pour coudre le ruban de deux ou trois points.
5. Placez le tissu sur lequel vous souhaitez coudre le ruban sous le pied presseur.
6. Cousez le ruban tout en soutenant légèrement le ruban avec votre main.



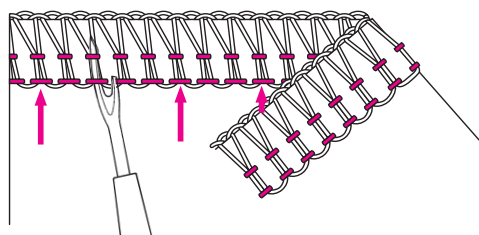
Casse de fil pendant la couture

Arrêter de coudre et ôter la matière. Refaite l'enfilage.

Si le fil du boucleur supérieur ou inférieur s'est cassé pendant la couture refaite aussi l'enfilage. Il faut refaire l'enfilage des 2 boucleur même si un des fil ne s'est pas cassé.

Tout d'abord enfiler les boucleurs et ensuite les aiguilles.

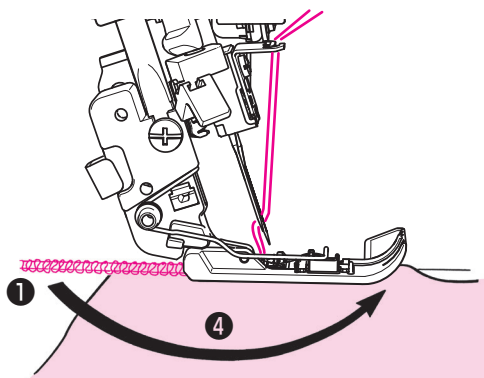
Recommencer à coudre 2 à 3cm avant l'endroit où le fil s'est cassé.



Découdre une couture

Le fil de boucleur peut être facilement libéré en coupant à plusieurs endroits de la couture finie les fils d'aiguille droit et gauche avec un découpeur vendu dans le commerce et en les retirant.

Couture pratique avec surjet



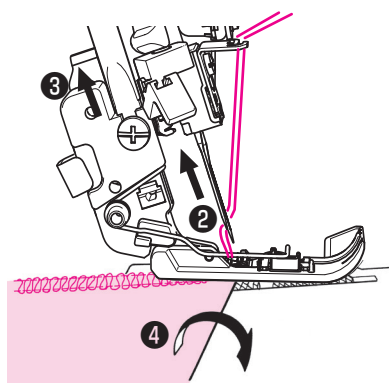
Fixer les extrémités du fil au début et à la fin de la couture

Le point de surjet peut se dénouer si les fils ne sont pas fixés au début et fin de couture.

Comment sécuriser la couture:

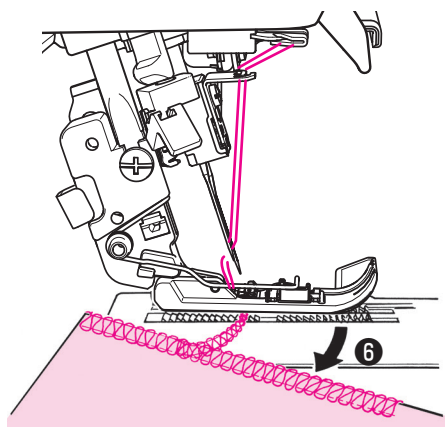
1) début de couture

1. Tirer sur la chaînette produite en début de couture sur 3 à 4cm.
 2. Faites 2 ou 3 points de couture sur la matière.
 3. Abaisser l'aiguille et lever le pied presseur.
 4. Tirez la chaîne de fil non cousu vers vous et placez-la entre le pied presseur et le tissu à partir du côté gauche.
 5. Abaisser le pied presseur et coudre sur la chaînette.
- * Si vous ne cousez pas la chaînette, faite une chaînette plus longue en début et fin de couture, puis faites un noeud à chaque extrémité.
- * Quand les points s'entrecroisent, la chaînette est automatiquement sécurisée.



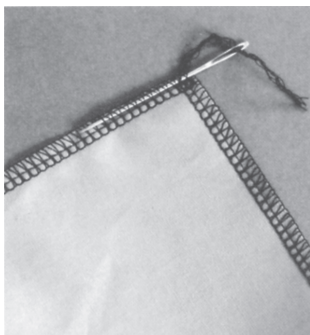
2) En fin de couture

- * Positionnez la fonction de coupe de la chaînette automatique sur OFF. (Voir page 22)
1. Arrêter l'aiguille à la fin de la couture.
 2. Relever l'aiguille.
 3. Soulever le pied presseur.
 4. Retourner la matière. Abaisser l'aiguille afin qu'elle pénètre à l'extrémité de votre couture.
 5. Abaisser le pied presseur.
 6. Effectuer une couture pour faire une chaînette de 2 à 3cm de long en prenant soin de ne pas faire entrer en contact la couture terminée et le couteau supérieur. Oter la matière.
 7. Sécuriser la chaînette.



Couture pratique avec surjet

A



Dans le cas de sécuriser la fin de la couture avec une aiguille à laine: (A)

Laisser 2 à 3cm de chaînette au début et à la fin de la couture.

Mettre la chaînette dans la couture terminée au moyen d'une aiguille à laine.

B

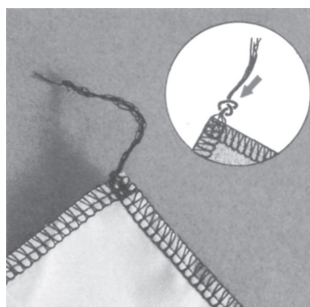


Dans le cas de sécuriser la fin de la couture avec de la colle à tissus: (B)

Appliquer un peu de colle sur le tissu à la base de la chaînette.

Coupez l'excédent de chaînette une fois la colle séchée.

C

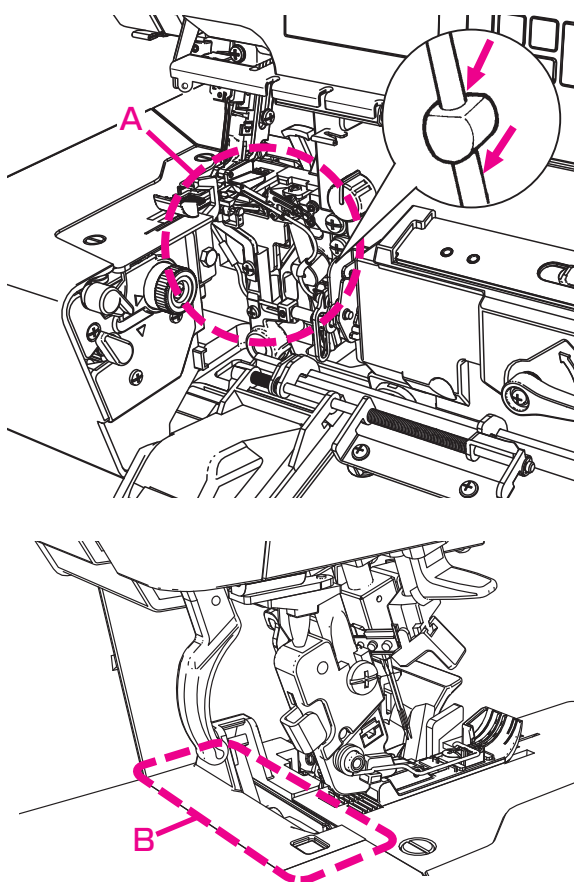


Sécuriser en faisant un noeud au bout: (C)

Lier tous les fils ensemble et faire un noeud à la position la plus proche de la matière.

Ensuite, couper l'excédent de fil.

Maintenance



Nettoyage et huilage

ATTENTION

Éteignez l'interrupteur d'alimentation et débranchez le cordon d'alimentation de la prise murale avant de commencer le nettoyage ou la lubrification de la machine.

Lorsque vous utilisez la machine à coudre, des peluches sont susceptibles de s'accumuler dans la machine à coudre. Elles s'accumulent surtout autour de la plaque aiguille et le couteau inférieur et il est donc nécessaire d'enlever ces peluches régulièrement. (A)

Lors du nettoyage des tuyaux, utiliser l'enfileur des boucleurs inférieur et supérieur qui se trouve dans le sac d'accessoires (voir page 31 afin de savoir comment l'utiliser)

Bien que cette machine à coudre utilise des matériaux antibruit pour ses pièces critiques, il peut arriver que vous soyez alerté par le bruit de la machine pendant la couture. Dans ce cas, appliquez une ou deux gouttes d'huile sur les points indiqués par une flèche sur l'illustration.

De la poussière et des peluches sont susceptibles de s'accumuler autour du coupe-chaînette. Vous devez donc les enlever régulièrement avec l'accessoire brosse de nettoyage fourni avec la machine à coudre.

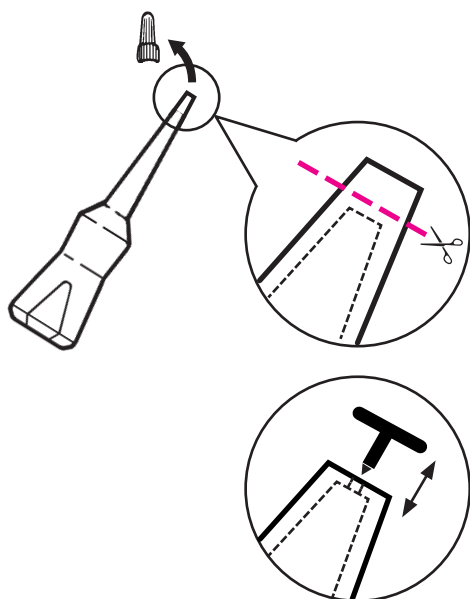
Précautions à prendre lors de la manipulation d'huile

- * Dans le cas où l'huile pénètre dans l'oeil ou adhère sur la peau, laver immédiatement afin de prévenir les irritations et les rougeurs.
- * En cas d'ingestion accidentelle, consulter immédiatement un médecin pour obtenir des conseils médicaux afin de prévenir la diarrhée et des vomissements.
- * Tenir l'huile hors de la portée des enfants.
- * L'huile doit jetée et recyclée être conformité avec la législation en vigueur.

Utilisation d'un graisseur accessoire

ATTENTION

Faites attention à ne pas vous blesser les doigts en travaillant.

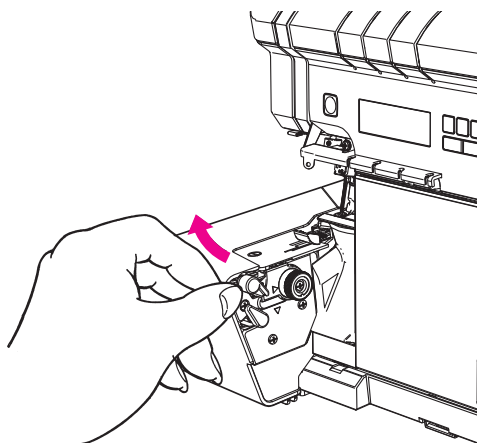


Lorsque vous utilisez le graisseur pour la première fois, retirez le bouchon et coupez légèrement la pointe du bec du graisseur avec des ciseaux. Ensuite, faites un trou dans la pointe avec une punaise ou un outil similaire.

* Sachez que si vous coupez excessivement la pointe du bec du graisseur, le débit de l'huile qui sortira de l'orifice ne sera pas constant.

1. Coupez la pointe avec des ciseaux.
- * Il est important de laisser la partie scellée par de la résine (environ 0,5 mm) au lieu de couper la pointe jusqu'à ce que la partie percée soit atteinte.
2. Percez un trou à l'aide d'une punaise ou d'un outil similaire.

Maintenance



Nettoyage avec le plateau à tissu ouverte



ATTENTION

Assurez-vous tout d'abord que la machine est hors tension.





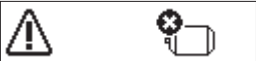



- **Comment ouvrir le plateau à tissu**
Pousser le plateau vers la gauche pour pouvoir l'ouvrir.
- **Comment fermer le plateau à tissu**
Poussez le plateau vers la machine.

Remplacement du couteau

Parce que la lame inférieure du couteau et la lame du coupe-chaînette sont fabriquées dans un matériau spécial en carbure, il n'est normalement inutile de les remplacer. Cependant, ce remplacement est nécessaire lorsque le bord de la lame est endommagé.

Pour remplacer la lame du couteau inférieur, la lame du couteau supérieur et la lame du coupe-chaînette, contactez le revendeur auprès duquel vous avez acheté votre machine à coudre.

Affichage des erreurs

Affichage	Description de l'erreur	Mesure corrective
	Lorsque vous avez appuyé sur la pédale de commande alors que le pied presseur se trouve dans sa position supérieure.	Soulevez le pied presseur.
	Lorsque le coupe-chaînette n'a pas réussi à revenir à sa position initiale et s'est arrêté.	Retirez les objets éventuellement coincés dans le parcours du coupe-chaînette et appuyez sur le bouton de coupe de la chaînette. Si l'erreur persiste après avoir pris la mesure corrective susmentionnée, contactez le revendeur auprès duquel vous avez acheté votre machine à coudre.
	Lorsqu'un objet est coincé dans le parcours du coupe-chaînette et que celui-ci n'est pas en mesure de couper la chaînette.	Retirez l'objet coincé dans le parcours du coupe-chaînette.
	Lorsque vous avez essayé de couper la chaînette avec le tissu placé sur le parcours du coupe-chaînette.	Retirez le tissu.
	Lorsqu'une charge excessive est appliquée au moteur. (Au cas où la pédale de commande est maintenue enfoncée pendant 5 minutes ou plus)	Attendez trois secondes. Ensuite, l'écran revient à l'écran précédent.
	Lorsque vous avez appuyé sur la pédale de commande avec le plateau à tissu laissé ouvert.	Fermez le plateau à tissu.
	Lorsque le moteur s'est bloqué.	Attendez trois secondes. Ensuite, l'écran revient à l'écran précédent.
	Lorsque la machine à coudre fonctionne mal.	Contactez le revendeur auprès duquel vous avez acheté votre machine à coudre.
		

Comment éliminer soi-même les pannes

Défaut	Cause	Remède	Page
La machine ne coud pas	• Le couvercle du boucleur ou celui du plateau de travail est ouvert.	• Refermer le couvercle du boucleur ou celui du plateau de travail.	12
	• Le commutateur principal n'est pas enclenché.	• Enclencher la machine, mettre le commutateur principal sur („I“).	12
	• La machine n'est pas branchée.	• Relier le cordon de la machine au secteur.	11
L'entraînement du tissu est irrégulier	• L'entraînement différentiel n'est pas réglé correctement.	• Contrôler le réglage de l'entraînement différentiel.	19
	• La pression du pied-de-biche est insuffisante.	• Augmenter la pression du pied-de-biche.	21
Le fil casse	• L'enfilage de la machine n'est pas correct.	• Procéder à l'enfilage correct de la machine.	25
	• Les aiguilles ne sont pas montées correctement.	• Introduire les aiguilles jusqu'à la butée dans le porte-aiguille, le côté plat étant dirigé vers l'arrière.	15
	• Emploi de fausses aiguilles.	• N'employer que des aiguilles du système 130/705H ou JLx2.	15
	• Le réglage du point est incorrect.	• Vérifiez le réglage du point.	9
Les aiguilles cassent	• Les aiguilles sont tordues, épointées ou la pointe est abîmée.	• Remplacer les aiguilles.	16
	• Les aiguilles ne sont pas montées correctement.	• Introduire les aiguilles jusqu'à la butée dans le porte-aiguille, le côté plat étant dirigé vers l'arrière.	15
	• Le tissu est étiré en cours de travail.	• Guider légèrement le tissu avec les deux mains.	--
	• Le réglage du point est incorrect.	• Vérifiez le réglage du point.	9
Les points ne se forment pas toujours	• Les aiguilles sont tordues ou épointées.	• Remplacer les aiguilles.	15
	• Les aiguilles ne conviennent pas.	• N'employer que des aiguilles du système 130/705H ou JLx2.	15
	• La pression du pied-de-biche est insuffisante.	• Augmenter la pression du pied-de-biche.	21
	• Le réglage du point est incorrect.	• Vérifiez le réglage du point.	9
Points irréguliers	• Les fils ne sont pas correctement positionnés entre le guide-fil n° 1.	• Vérifiez que le fil est ajusté entre le guide-fil n° 1.	23
	• Le fil s'est entortillé.	• Relever le pied-de-biche, tirer les fils, rabaisser le pied-de-biche.	23
	• Erreur d'enfilage.	• Examiner les parcours d'enfilage de chaque fil.	25
	• Le réglage du point est incorrect.	• Examiner les parcours d'enfilage de chaque fil.	25
Le tissu ondule (tissus à mailles)	• Le tissu s'est étiré en cours de travail.	• Guider le tissu légèrement.	--
	• La pression du pied-de-biche est trop forte.	• Diminuer la pression du pied-de-biche.	21
	• L'entraînement différentiel n'est pas réglé correctement.	• Régler l'entraînement différentiel entre N et 2.	19
Le tissu se rétracte (fronces)	• L'entraînement différentiel n'est pas réglé correctement.	• Régler l'entraînement différentiel entre 0,7 et N.	19

Comment éliminer soi-même les pannes

Défaut	Cause	Remède	Page
Le bord du tissu s'enroule	<ul style="list-style-type: none"> • Chaque point retient trop de tissu. • Le levier sélecteur est positionné sur ourlet roulé 	<ul style="list-style-type: none"> • Diminuer la largeur de la couture. • Placer le levier sélecteur sur point de surjet. 	17 20
Le nouage des fils est lâche	<ul style="list-style-type: none"> • Le tissu est insuffisant à l'intérieur du point. 	<ul style="list-style-type: none"> • Augmenter la largeur de la couture. 	17
Anomalies du moteur	<ul style="list-style-type: none"> • Bruit anormal. • Le moteur ne tourne pas. • Etincelles anormalement importantes. 	<ul style="list-style-type: none"> • Remplacer le charbon du moteur. (Note) Contacter votre distributeur pour vous renseigner sur le changement du charbon.	--
L'aiguille ne peut pas être enfilée	<ul style="list-style-type: none"> • Le marquage "■" sur le côté du capot avant n'est pas aligné avec le marquage "□" sur le volant. 	<ul style="list-style-type: none"> • Tourner le volant pour aligner le marquage "□" avec le marquage "■" sur le côté du capot avant. 	29,30
Boucleurs supérieur et inférieur ne peuvent pas être enfilés	<ul style="list-style-type: none"> • Lorsque le volant n'est pas fixe. • Lorsque le fil n'est pas insérée dans la partie inférieure du trou d'enfilage. • Lorsque le fil n'est pas relâché avant le trou d'enfilage. • Lorsque le fil est bloqué quelque part dans le trajet du fil. • Lorsque le tuyau est obstrué par de la peluche. 	<ul style="list-style-type: none"> • Relever le levier de changement d'enfilage et tournez le volant. • Insérer le fil dans le trou d'enfilage de 1 à 2 cm. • Relacher le fil avant le trou d'enfilage. • Retirer le fil de l'endroit où il a été pris. • Enfiler les boucleurs à l'aide de l'enfileur fourni dans le sachet d'accessoires pour retirer l'accumulation de peluches dans le tuyau. 	25,27 25,27 25,27 -- 31

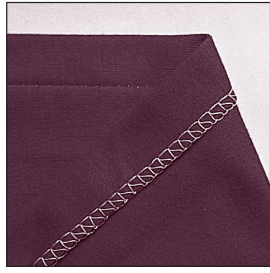
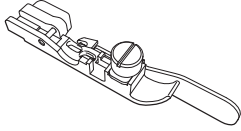
Spécifications techniques (voir additif)

Différents points possibles	Point surjet	2 aiguilles 2 boucleurs: surjet à 4 fils avec point de sécurité intégré 1 aiguille 2 boucleurs: surjet à 3 fils, couture plate, ourlet roulé 1 aiguille 1 boucleur: surjet à 2 fils, couture plate, ourlet roulé 2 aiguilles 1 boucleur: surjet à 3 fils super-stretch
Système d'aiguilles		SCHMETZ 130/705 H ou JLx2
Largeur de point		3,5-5,5 mm: (surjet à 3/2 fils) 5,5-7,5 mm: (surjet à 4 fils, surjet à 3/2 fils, surjet à 3 fils super stretch)
Longueur de point		0,7-4 mm
Entraînement différentiel		Effet de fronçage 0,7 - N Allongement N -2
Levier du pied-de-biche		Par levier : 6mm / 8mm Par genouillère : 6mm
Volant		Tourne en avant dans le même sens qu'une machine à coudre familiale
Vitesse de la machine		Max. 1500 sti/min
Poids		11,2 kg
Dimensions		350 (La) x 310 (P) x 340 (H) mm
Pédale		Modèle n° JC-001 (USA, Canada) Modèle n° JC-002 (220-240 V)

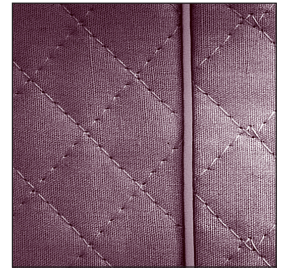
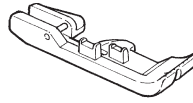
Sous réserve de modifications techniques dans l'intérêt du progrès technique.

Accessoires spéciaux

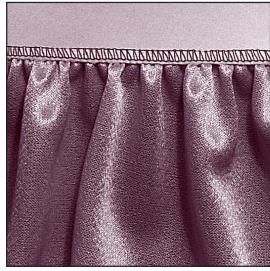
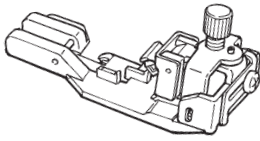
- Pied presseur à points perdus
- Pied universel pour points invisibles



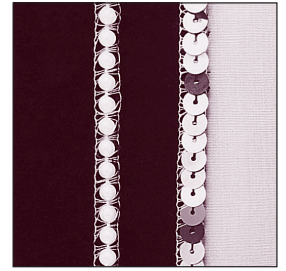
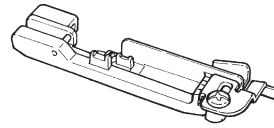
- Pied presseur à ganser



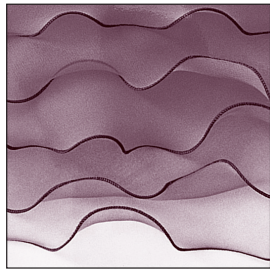
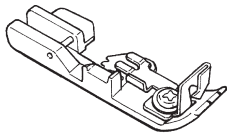
- Élastiques



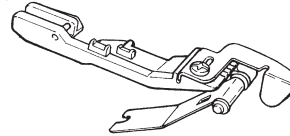
- Pied presseur à emperler



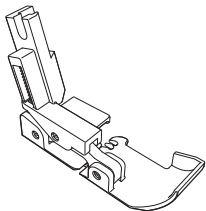
- Piedguide-cordonnet



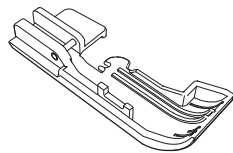
- Pied presseur à froncer



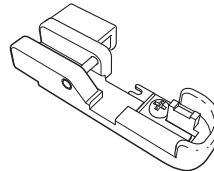
- Pied tracteur



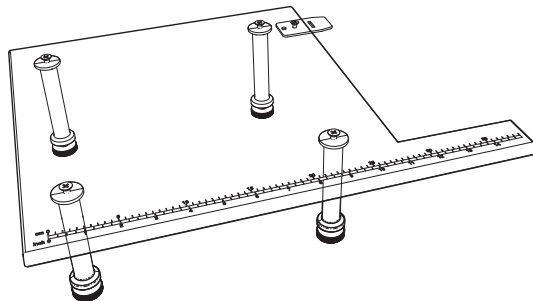
- Pied transparent



- Pied pose-perles incurvé



- Rallonge de table



Contacter le distributeur de votre région.

JUKI®

JUKI CORPORATION

2-11-1, TSURUMAKI, TAMA-SHI,
TOKYO, 206-8551, JAPAN

PHONE : (81)42-357-2341

FAX : (81)42-357-2379

Copyright © 2022-2023 JUKI CORPORATION

All rights reserved throughout the world.

Reservados todos los derechos en todo el mundo.

Tous les droits sont réservés à travers le monde.

40271344-2



020223